

# Product list

**Please note**

This product list includes all parts necessary for most applications.  
For parts required for special applications, please refer to the MEVA price list. Dimensions are in centimetres (cm) unless a different unit is shown.

# Contents

AF prop head.....	30
AluFix AL panels .....	24
EA assembly lock .....	27
EuMax 20 .....	29
EuMax 30 .....	28
Forked prop head .....	31
Formwork girder H20 .....	32
MEP prop with SAS.....	30
MEVA alu-beam 20/245.....	33
Pin.....	32
Plug D20 .....	27
Railing clamp .....	33
Tripod.....	31

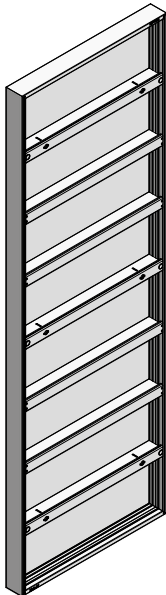
Slab formwork

**AluFix AL panels**

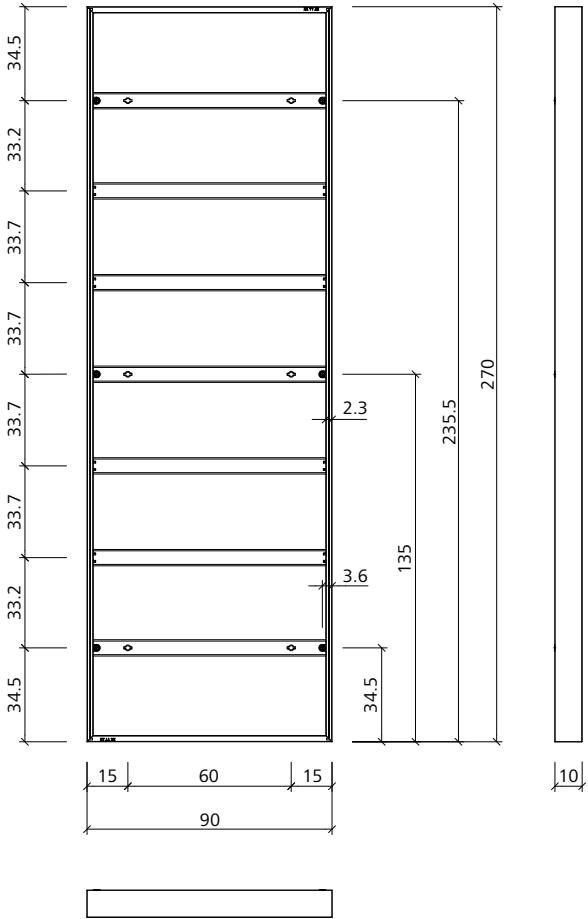
Construction height 10 cm, frame profile width 23 mm. The frames of the AluFix panels are made of closed 3-chamber aluminium profiles and are torsion-proof. They are easy to clean thanks to their high-quality annealed powder coating. The AluFix AL panels are equipped with alkus facing. All-around grooves and EA assembly locks guarantee a tight and perfectly aligned panel connection.

**Panel height 2.70 m**

7 cross stiffeners, of which 3 are multi-function profiles with welded DW-threaded nuts.  
3 tie holes per panel height.



Ref.-No.	Description / Application	m <sup>2</sup>	kg
22-137-10.....	AluFix AL.....270/90.....	2.43.....	47.7
22-137-25.....	AluFix AL.....270/75.....	2.03.....	41.3
22-137-45.....	AluFix AL.....270/55.....	1.49.....	31.7
22-137-60.....	AluFix AL.....270/40.....	1.08.....	25.0
22-137-75.....	AluFix AL.....270/25.....	0.68.....	18.6



**Attention**  
Unused tie holes need to be closed with plugs D 20.

Slab formwork

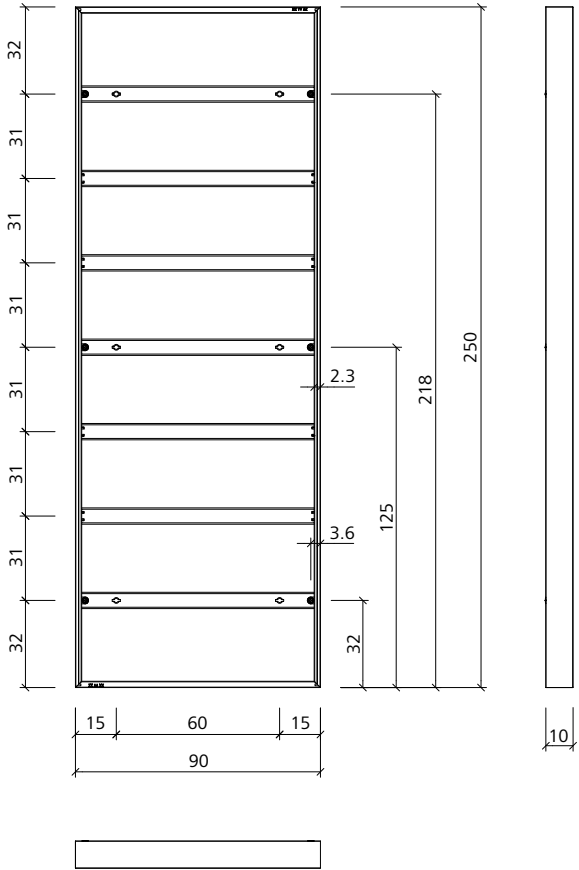
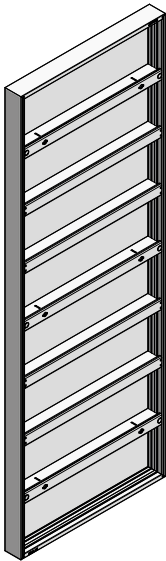
Panel height 2.50 m

7 cross stiffeners, of which 3 are multi-function profiles with welded DW-threaded nuts. 3 tie holes per panel height.

Attention

Unused tie holes need to be closed with plugs D 20.

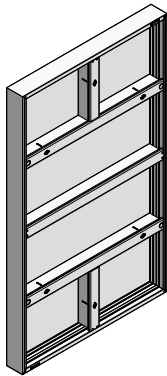
Ref.-No.	Description / Application	m <sup>2</sup>	kg
22-138-10.....	AluFix AL.....250/90.....	2.25	45.2
22-138-25.....	AluFix AL.....250/75.....	1.88	38.1
22-138-45.....	AluFix AL.....250/55.....	1.38	29.9
22-138-60.....	AluFix AL.....250/40.....	1.55	23.6
22-138-75.....	AluFix AL.....250/25.....	0.63	17.4



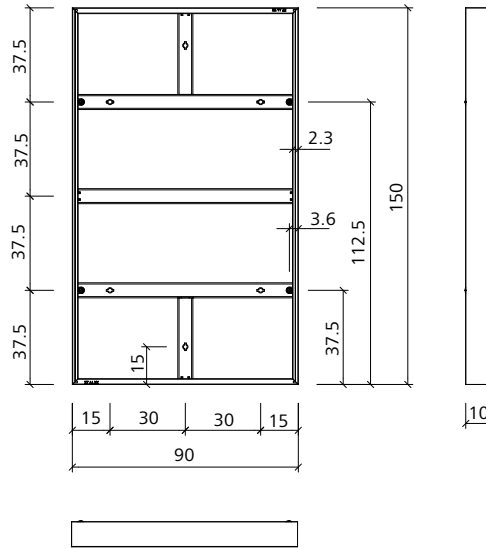
# Slab formwork

## Panel height 1.50 m

3 cross stiffeners, of which 2 are multi-function profiles with welded DW-threaded nuts. 2 tie holes per panel height.

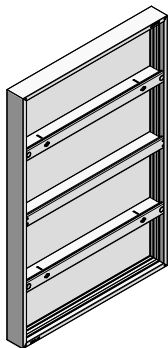


Ref.-No.	Description / Application	m <sup>2</sup>	kg
22-135-10.....	AluFix AL..... 150/90.....	1.35	27.4
22-135-25.....	AluFix AL..... 150/75.....	1.13	23.3
22-135-45.....	AluFix AL..... 150/55.....	0.95	18.6
22-135-60.....	AluFix AL..... 150/40.....	0.60	14.9
22-135-75.....	AluFix AL..... 150/25.....	0.38	10.1

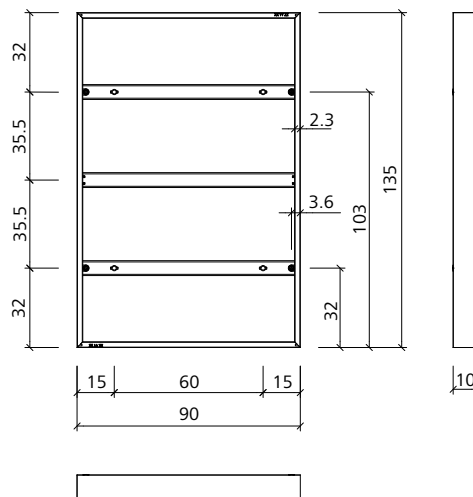


## Panel height 1.35 m

3 cross stiffeners, of which 2 are multi-function profiles with welded DW-threaded nuts. 2 tie holes per panel height.



Ref.-No.	Description / Application	m <sup>2</sup>	kg
22-139-10.....	AluFix AL..... 135/90.....	1.22	24.1
22-139-25.....	AluFix AL..... 135/75.....	1.01	20.7
22-139-45.....	AluFix AL..... 135/55.....	0.74	16.3
22-139-60.....	AluFix AL..... 135/40.....	0.54	12.8
22-139-75.....	AluFix AL..... 135/25.....	0.34	9.5



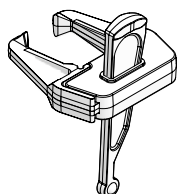
### Attention

Unused tie holes need to be closed with plugs D 20.

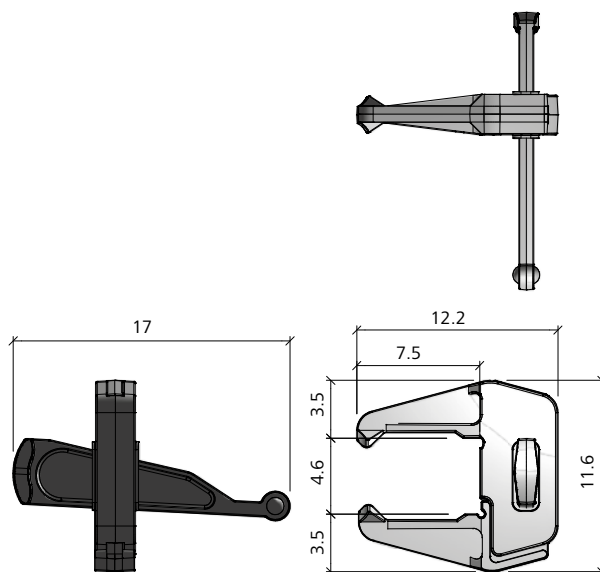
# Slab formwork

## EA assembly lock

Galvanized. Tightly connects and aligns AluFix and EcoAs panels. Clamping length 4.6 cm.



Ref.-No.	Description / Application	m <sup>2</sup>	kg
29-205-50	EA-assembly lock		1.5



## Plug D20

Is used to close unused tie holes (AluFix, EcoAs, AluStar and StarTec).



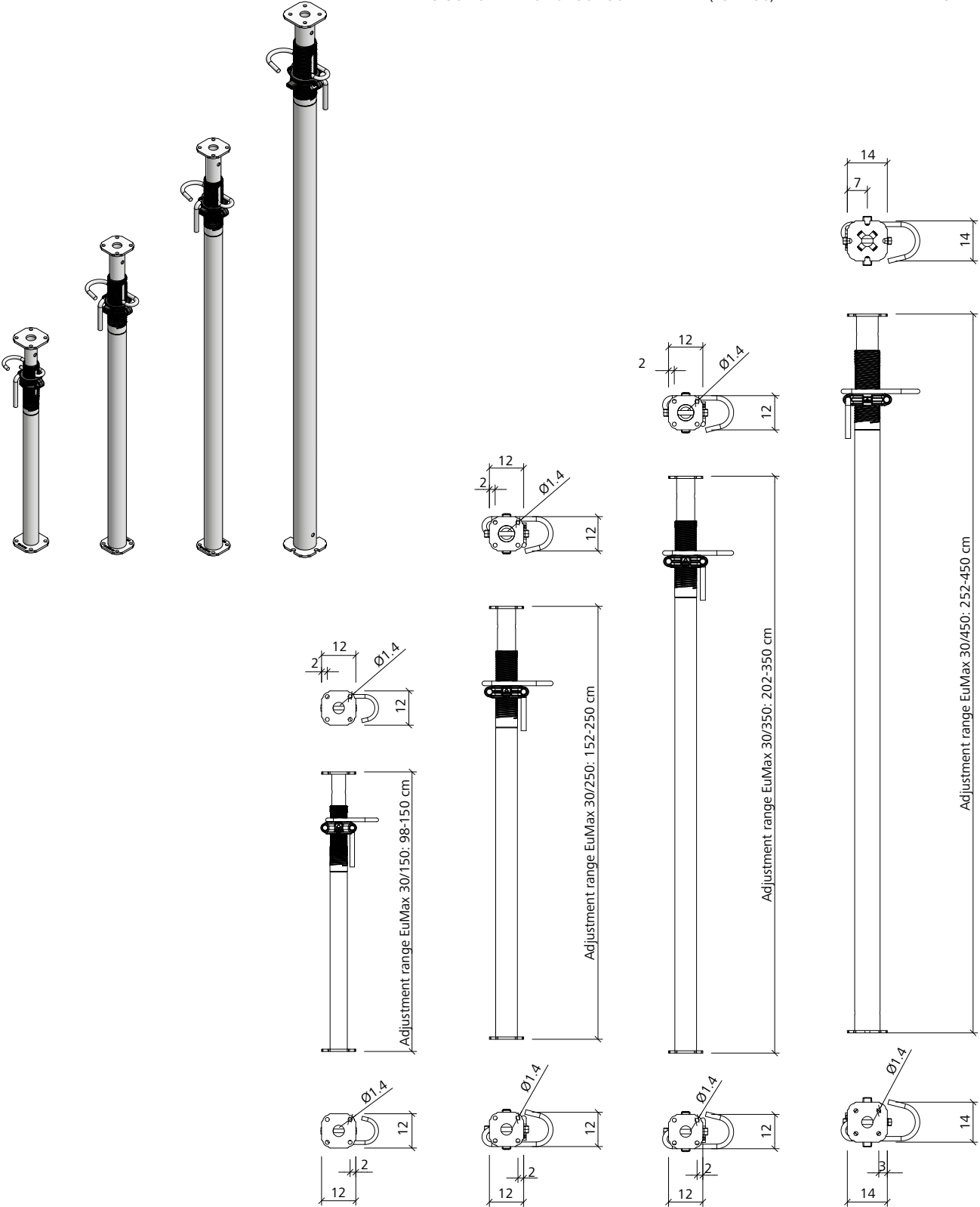
Ref.-No.	Description / Application	m <sup>2</sup>	kg
29-902-63	Plug D20		0.2

Slab formwork

EuMax 30

Galvanized. Prop in accordance with EN 1065, class E. Permissible load capacity at all extension lengths is 30 kN.

Ref.-No.	Description / Application	m <sup>2</sup>	kg
29-907-46	EuMax 30/150 .....(98-150) .....		10.4
29-907-51	EuMax 30/250 .....(152-250) .....		18.1
79-907-50	ME prop 250/30.....(150-250) .....		17.5
29-907-61	EuMax 30/350 .....(202-350) .....		23.0
79-907-60	ME prop 350/30 .....(200-350) .....		25.5
29-907-62	EuMax 30/450 .....(252-450) .....		32.4

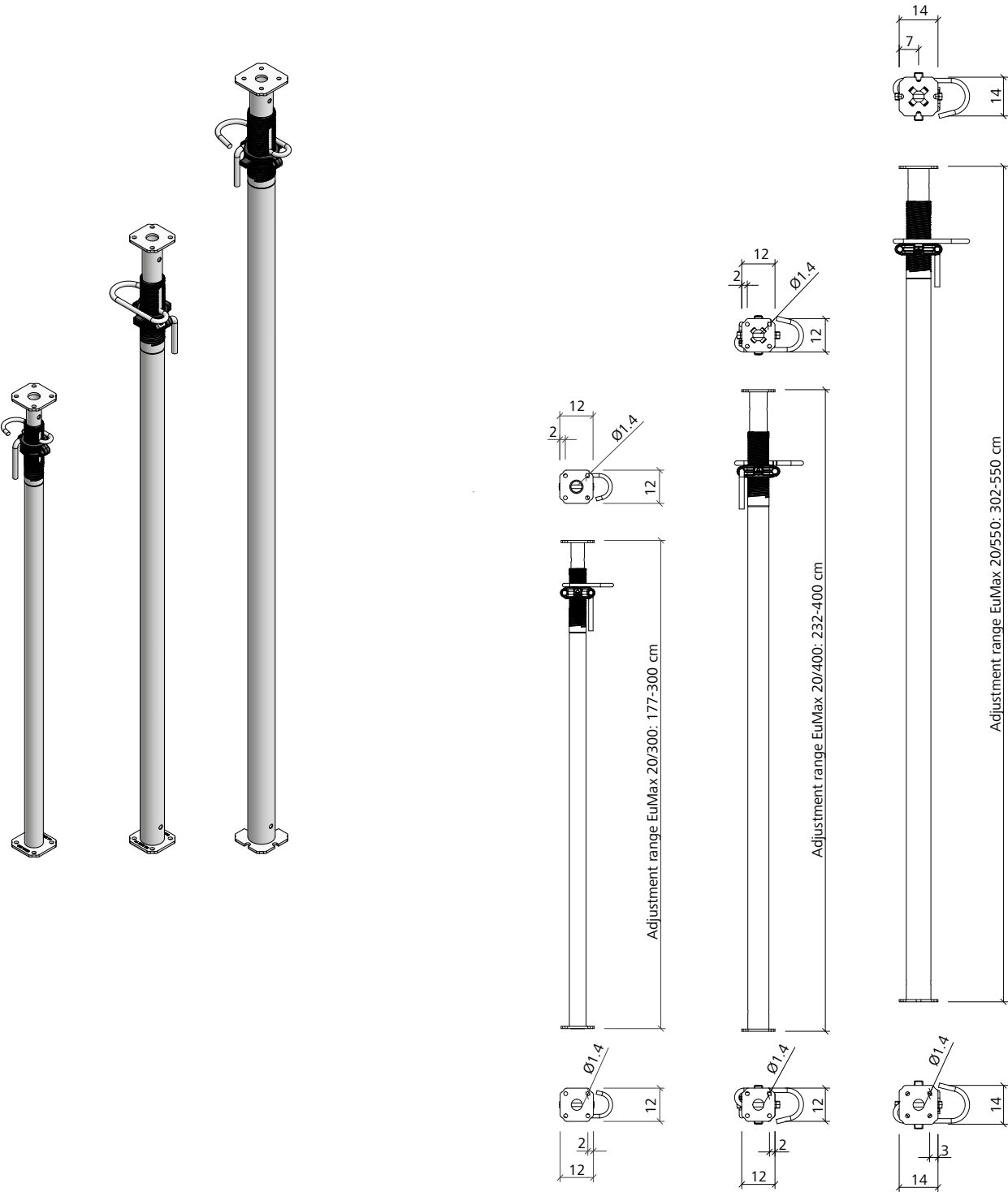


Slab formwork

EuMax 20

Galvanized. Prop in accordance with EN 1065, class D. Permissible load capacity at all extension lengths is 20 kN.

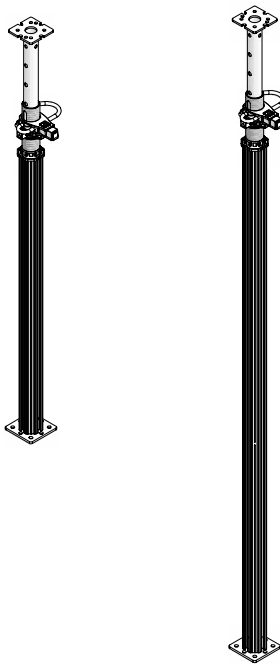
Ref.-No.	Description / Application	m <sup>2</sup>	kg
29-907-36	EuMax 20/300 .....(177-300)		16.9
79-907-35	MD prop 300/20 .....(175-300)		17.7
29-907-41	EuMax 20/400 .....(232-400)		23.8
79-907-40	MD prop 400/20 .....(225-400)		25.6
29-907-45	EuMax 20/550 .....(302-550)		37.0



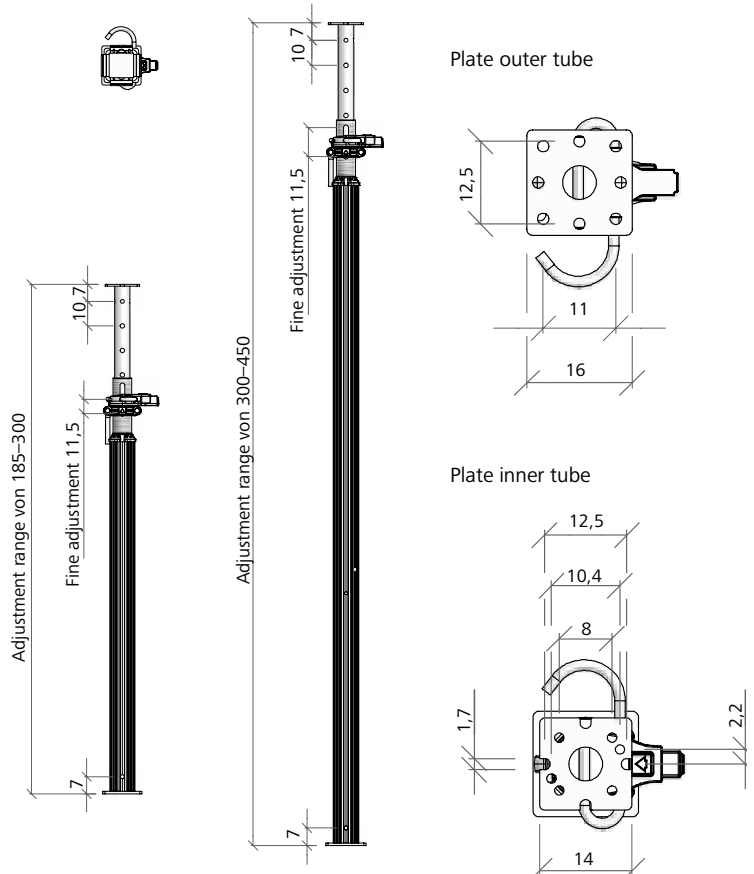
# Slab formwork

## MEP prop with SAS

The MEP prop has a steel inner tube and an aluminium outer tube with a T-groove to attach reinforcing frames. The SAS quick-lowering system allows the stress in the prop to be released with one strike of a hammer. After stripping the prop automatically resets and locks in the original position. According to European standard EN 1065 class E, the MEP 300 props with SAS have a load capacity of 40 kN at all extensions. The MEP 450 props with SAS have a load capacity of 20 kN; if assembled with the inner tube downwards, the load capacity increases to 30 kN.

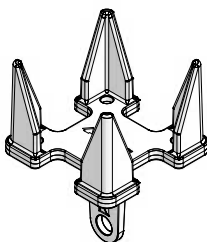


Ref.-No.	Description / Application	m <sup>2</sup>	kg
29-907-65	MEP-prop 300 with SAS ... (185-300)		26.7
29-907-70	MEP-prop 450 with SAS ... (300-450)		34.3

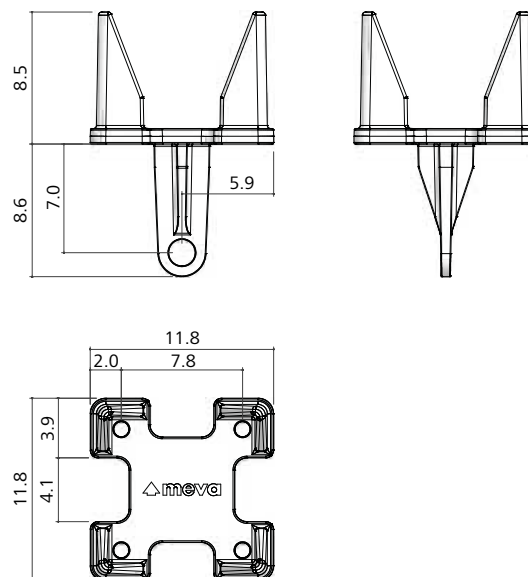


## AF prop head

Painted. Supports AluFix panels for slabs up to 46 cm thick. The prop head is plugged to the prop's head or foot plate and secured with pin 14/90 (or with pin 14/135 to the outer tube of the MEP prop).



Ref.-No.	Description / Application	m <sup>2</sup>	kg
29-202-80	AF-prop head		1.5

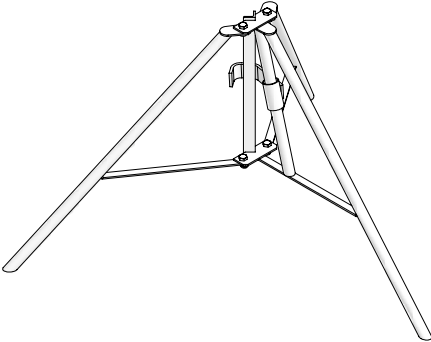




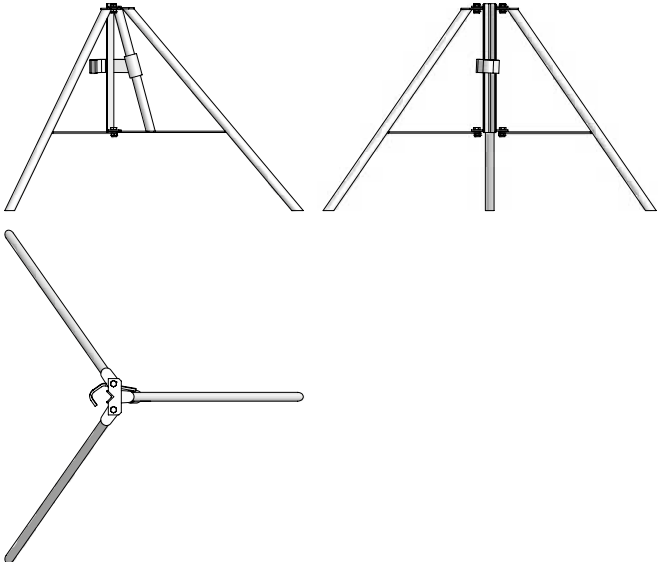
Slab formwork

**Tripod**

Galvanized auxiliary to stabilize props with Ø 48 to 80 mm. The turnable legs allow the tripod to be used in rooms, along walls or in corners. The tripod can be attached to the aluminium profile of the MEP props with the MD safety claw.

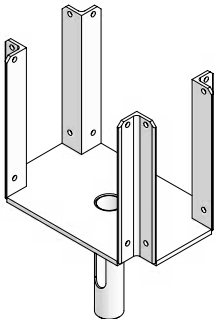


Ref.-No.	Description / Application	m <sup>2</sup>	kg
29-905-50	..... Tripod	.....	12.2
29-905-52	..... Tripod 120	.....	17.7

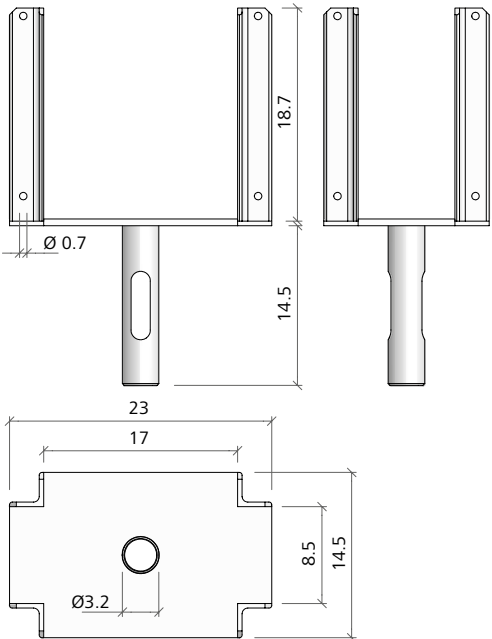


**Forked prop head**

Galvanized. Supports wooden formwork girders. Is attached to EuMax props with pin 14/90e or to MEP props with pin 14/135. The forked prop head 20 is used with H20 formwork girders



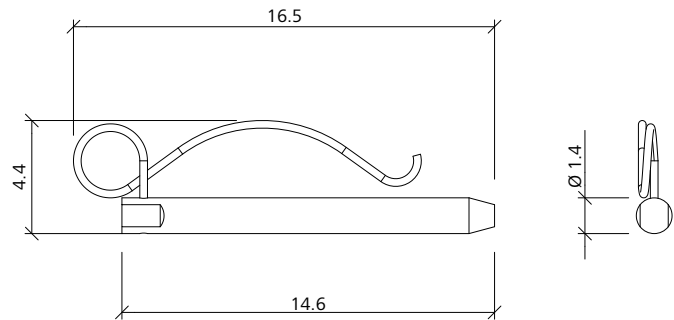
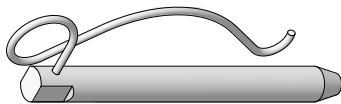
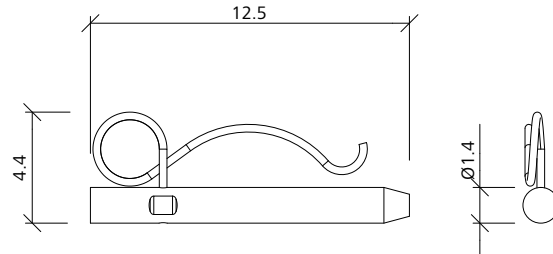
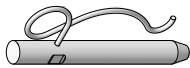
Ref.-No.	Description / Application	m <sup>2</sup>	kg
29-206-40	..... Forked prop head H20	.....	3.0



# Slab formwork

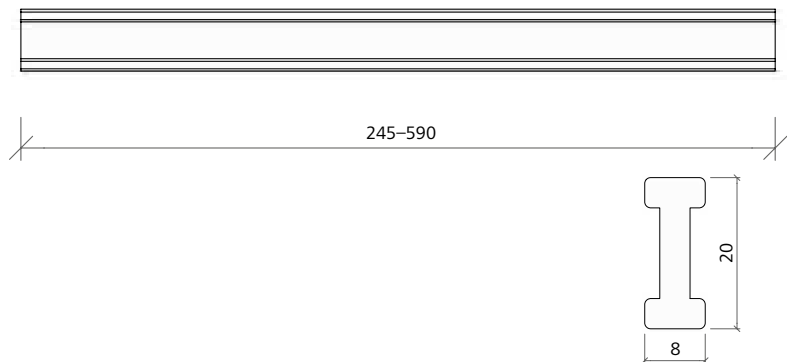
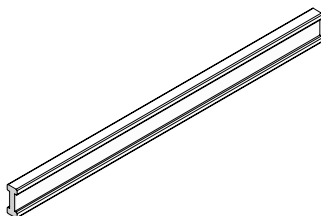
## Pin

Galvanized. Used to secure the MevaDec drop head, the forked prop heads, etc. on the corresponding props. Pin 14/90e is used for steel tube props up to Ø63 mm. Pin 14/135 is used with the aluminium profile of MEP props and MEP extensions.



## Formwork girder H20

Robust multi-purpose girder for the most different tasks. While the girder itself does not weigh much, it has a high load-bearing capacity (approved by building authorities). Admissible load: Q = 11 kN, M = 5 kNm.



Ref.-No.	Description / Application	m <sup>2</sup>	kg
29-909-90	..... Pin 14/135	.....	0.2
29-803-55	..... Pin 14/90e	.....	0.1

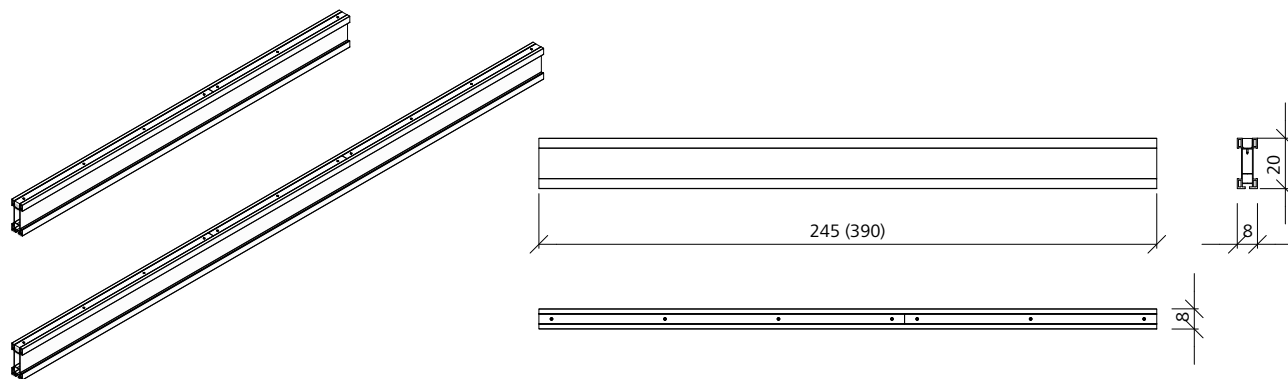
Ref.-No.	Description / Application	m <sup>2</sup>	kg
29-206-02	..... Formwork girder H20/245	.....	12.3
29-206-05	..... Formwork girder H20/290	.....	14.5
29-206-10	..... Formwork girder H20/330	.....	16.5
29-206-20	..... Formwork girder H20/390	.....	19.5
29-206-30	..... Formwork girder H20/450	.....	22.5
29-206-45	..... Formwork girder H20/490	.....	24.5
29-206-48	..... Formwork girder H20/590	.....	29.5

# Slab formwork

## MEVA alu-beam 20/245

Robust aluminium girder with integrated plastic bar. Usable for different applications. High load capacity thanks to stable form. Load: Q (cross force) = 39.73 kN, adm. M = 25.96 kN

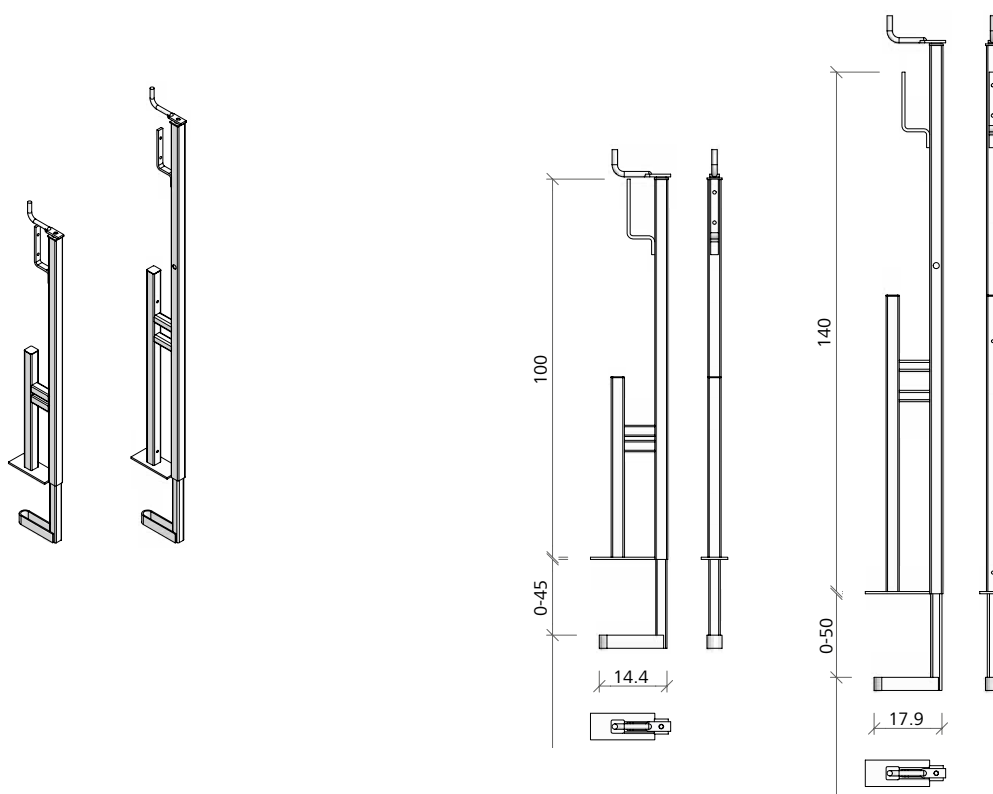
Ref.-No.	Description / Application	m <sup>2</sup>	kg
29-216-15	MEVA alu-beam 20/245		26.2
29-216-45	MEVA alu-beam 20/390		42.0



## Railing clamp

Coated. Can be clamped to all types of beams and to free slab edges. Railing clamp 100: 100 cm high, clamping length 45 cm. Railing clamp 140: 140 cm high, clamping length 50 cm.

Ref.-No.	Description / Application	m <sup>2</sup>	kg
29-107-20	Railing clamp 100		6.6
29-107-25	Railing clamp 140		9.4



# Notes

A large grid of small dots for taking notes, consisting of 20 columns and 30 rows.

# Notes

A large grid of small dots for taking notes.



**MEVA Schalungs-Systeme GmbH**

Industriestrasse 5    Tel. +49 7456 692-01  
72221 Haiterbach    Fax +49 7456 692-66  
Germany            info@meva.net

[www.meva.net](http://www.meva.net)