

## Product list

**Please note**

his product list includes all parts necessary for most applications.  
For parts required for special applications, please refer to the MEVA price list. Dimensions are in centimetres (cm) unless a different unit is shown.

## Contents

Adhesive tape, red.....	98	Panel height 125 cm.....	90
Alignment rail.....	102	Panel height 250 cm.....	90
Articulated flange nut.....	108	Panel height 300 cm.....	89
Articulated foot plate.....	112	Panel height 350 cm.....	88
Brace frame 250.....	110	Plastic tube D23.....	104
Brace SRL.....	111	Plastic tube D32.....	108
Column clamp.....	101	Plug.....	101
Concrete glue A + B.....	107	Plug D32.....	108
Cone for plastic tube.....	108	Push-pull prop R.....	111
Cotter pin 4.....	112	RS-assembly lock.....	99
Divinol Wax.....	106	Safety cage.....	118
Extension ladder.....	117	Safety mesh.....	115
FB-Aktivstop XT 20 SET.....	106	Scaffold tube.....	116
Flange screw.....	100	Side railing.....	114
Folding access platform BKB 125.....	119	Side railing BKB 125.....	119
Folding access platform BKB 125.....	119	Spacer.....	103
Foot plate.....	112	Spanner.....	109
Formwork-prop connector.....	110	Stacking angle 60/40/23.....	116
Foundation tape.....	91	Stop end bracket.....	100
Guardrailing post.....	113	Stripping corner tool.....	98
Guardrailing post 48.....	114	Support angle for walkway brackets.....	103
Head bolt 16/90.....	112	Swivel-joint coupler 48/48.....	116
Ladder.....	117	Tensioner M for foundation tape.....	91
Ladder connector.....	118	Tie hole plug.....	109
Ladder fixture, lower wall formwork.....	119	Tie rod DW.....	108
Ladder fixture, upper wall formwork.....	118	Tie rod fixture.....	103
Lifting hook 60.....	116	Tie wrench DW20/DW23.....	109
Linchpin 4.5.....	112	Tilting bracket 40/60.....	114
Mammut hinged inside corner.....	97	Trolley for foundation tape.....	91
Mammut hinged outside corner.....	97	Uni-assembly lock.....	99
Mammut outside corner 125.....	96	Uni-tie claw.....	109
Mammut outside corner 250.....	96	Universal shoe MFS.....	115
Mammut outside corner 300.....	95	Walkway bracket.....	113
Mammut outside corner 350.....	95	XT combi-lever.....	107
Mammut stripping corner.....	98	XT compensation panel.....	93
Mammut XT inside corner.....	94	XT cone DW 20.....	104
Mammut XT panels.....	88	XT fibre concrete plug 47 x 8,5.....	107
M assembly lock.....	99	XT plug D46.....	107
M crane hook.....	110	XT sealing cone.....	107
M cross stiffener 44.....	100	XT taper tie 23/.....	105
MEVA Multi-Stopp 23.....	106	XT taper tie Ratchet spanner SW 17 & SW 19.....	105
M filler.....	92	XT tie rod DW 20.....	104
M timber profile.....	93		

## Mammut XT panels

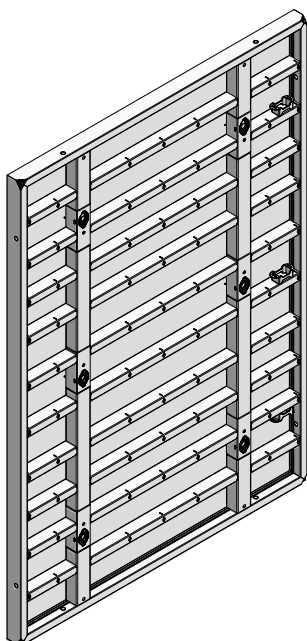
Galvanized and post-treated. Frame profile height 12 cm, frame profile depth 60 mm. The frames of the Mammut XT panels consist of closed, torsionally rigid steel profiles. All-around grooves guarantee a stepless, tight and perfectly aligned panel connection using M assembly locks. The permanently installed, internal and recessed XT tie holes with rotating body enable both single-sided as well as conventional, two-sided tying. All cross stiffeners are equipped with DW threaded nuts and serve as multi-function profiles, allowing easy, fast and safe attachment of accessories. The Mammut XT panels are equipped with alkus facing.

## Panel height 350 cm

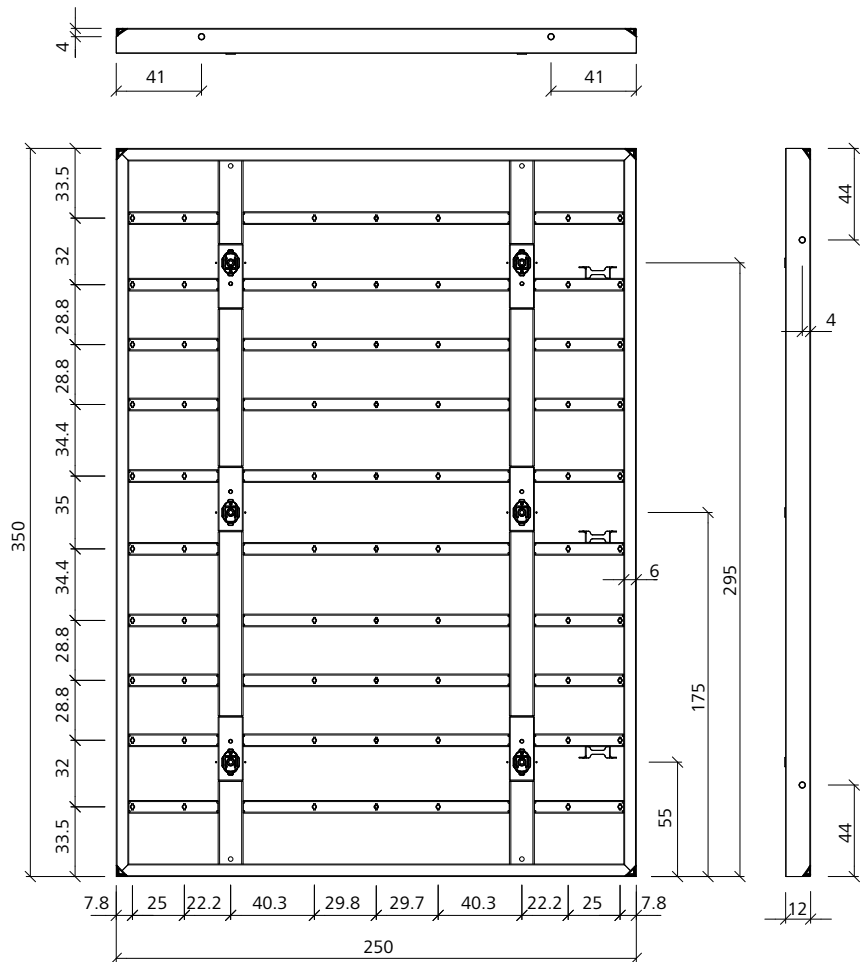
Ten cross stiffeners with DW threaded nuts serve as multi-function profiles. Three internal XT tie holes with rotating body per panel height. 75 cm and 50 cm wide panels with additional conical anchor sleeves as tie positions in the outer frame.

### Attention

Unused tie holes must always be closed with plug D 35/38



Ref.-No.	Description / Application	m <sup>2</sup>	kg
23-001-05	Mammut XT AL.....350/250	8.75	537.35
23-001-20	Mammut XT AL.....350/125	4.38	295.20
23-001-30	Mammut XT AL.....350/100	3.50	256.30
23-001-35	Mammut XT AL.....350/75	2.63	188.10
23-001-50	Mammut XT AL.....350/50	1.75	150.35
23-001-75	Mammut XT AL.....350/25	0.88	104.55



## Panel height 300 cm

Eight cross stiffeners with DW threaded nuts serve as multi-function profiles.

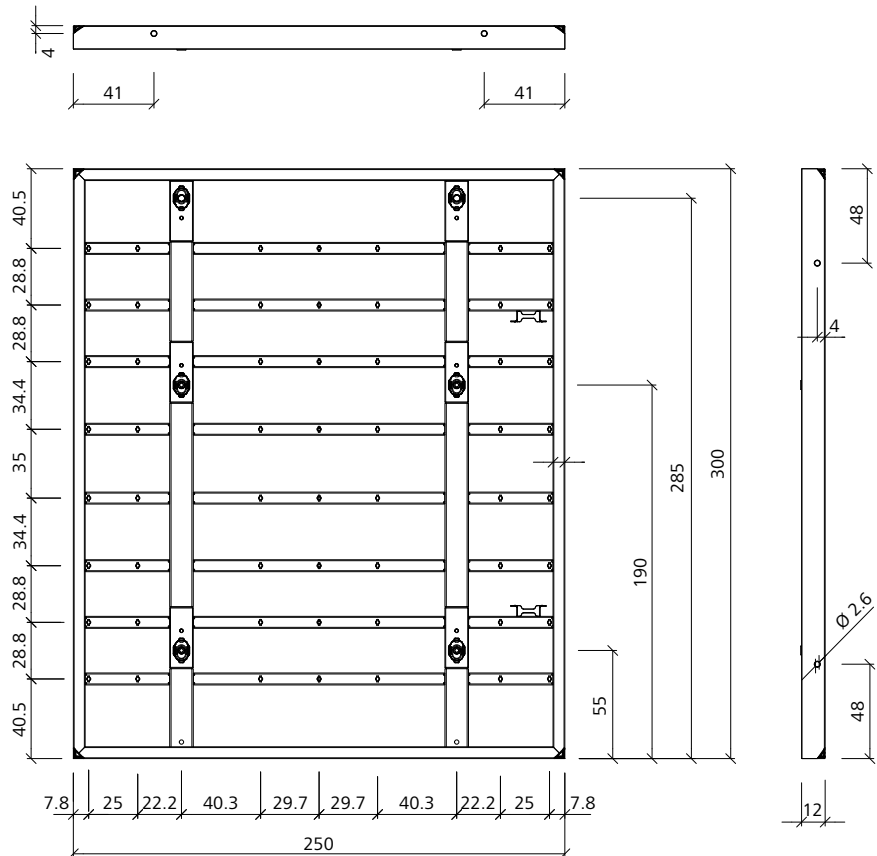
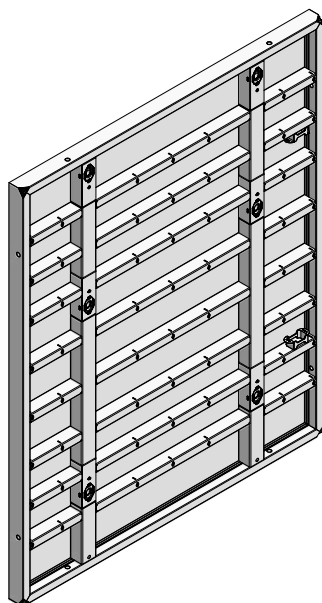
Two internal XT tie holes per panel height and additional XT tie hole at the top for height extension, all with rotating body.

75 cm and 50 cm wide panels with additional conical anchor sleeves as tie positions in the outer frame.

### Attention

Unused tie holes must always be closed with plug D 35/38.

Ref.-No.	Description / Application	m <sup>2</sup>	kg
23-002-05	Mammut XT AL.....300/250	7.50	459.25
23-002-20	Mammut XT AL.....300/125	3.75	252.20
23-002-30	Mammut XT AL.....300/100	3.00	219.85
23-002-35	Mammut XT AL.....300/75	2.25	161.95
23-002-50	Mammut XT AL.....300/50	1.50	130.85
23-002-75	Mammut XT AL.....300/25	0.75	91.10



# Wall formwork

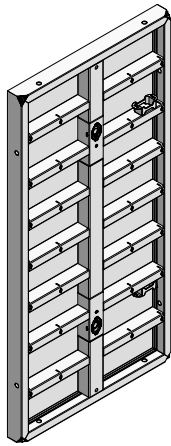
# Mammut XT

## Panel height 250 cm

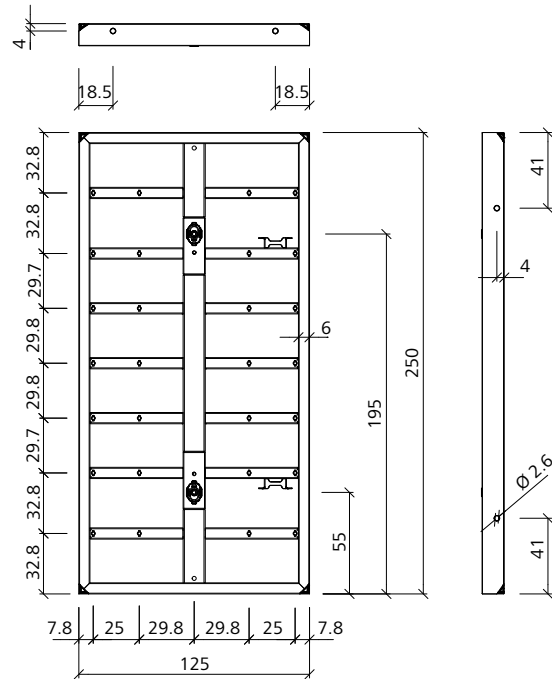
Seven cross stiffeners with DW threaded nuts serve as multi-function profiles.  
Two internal XT tie holes with rotating body per panel height . 75 cm and 50 cm wide panels with additional conical anchor sleeves as tie positions in the outer frame.

### Attention

Unused tie holes must always be closed with plug D 35/38.



Ref.-No.	Description / Application	m <sup>2</sup>	kg
23-003-20	Mammut XT AL.....250/125	3.13	213.95
23-003-30	Mammut XT AL.....250/100	2.50	185.25
23-003-35	Mammut XT AL.....250/75	1.88	135.45
23-003-50	Mammut XT AL.....250/50	1.25	107.40
23-003-75	Mammut XT AL.....250/25	0.63	74.30

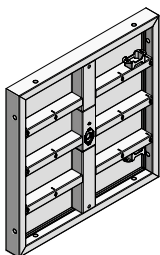


## Panel height 125 cm

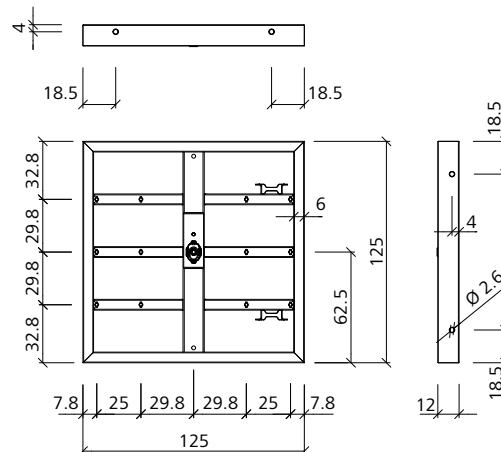
Three cross stiffeners with DW threaded nuts serve as multi-function profiles.  
One internal XT tie hole with rotating body per panel height. 75 cm and 50 cm wide panels with additional conical anchor sleeves as tie positions in the outer frame.

### Attention

Unused tie holes must always be closed with plug D 35/38.



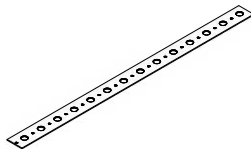
Ref.-No.	Description / Application	m <sup>2</sup>	kg
23-004-20	Mammut XT AL.....125/125	1.56	113.00
23-004-30	Mammut XT AL.....125/100	1.25	95.90
23-004-35	Mammut XT AL.....125/75	0.94	73.35
23-004-50	Mammut XT AL.....125/50	0.63	58.50
23-004-75	Mammut XT AL.....125/25	0.31	36.80



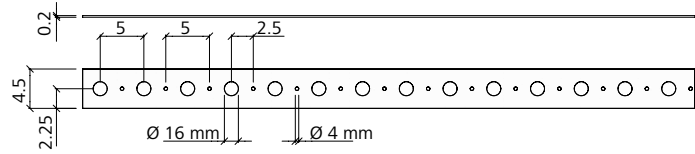


## Foundation tape

Galvanized, hole spacing 50 mm, hole Ø 16 mm, length 50 m, to be cut at hole centre, permissible tensile force 10 kN. Serves together with the appropriate tensioner as the lower anchor of horizontal panels.

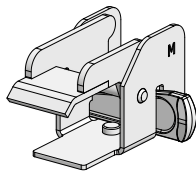


Ref.-No.	Description / Application	m <sup>2</sup>	kg
29-307-50	..... Foundation tape 50 m.....		20.00

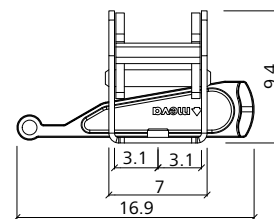
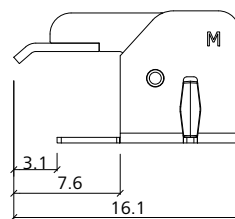
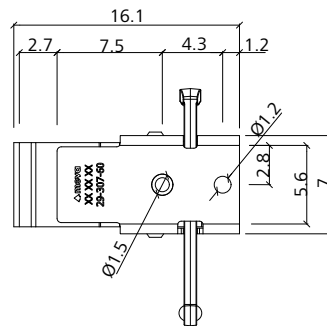


## Tensioner M for foundation tape

Galvanized. Used to connect the foundation tape to the Mammut panels. Two tensioners required per anchoring position.



Ref.-No.	Description / Application	m <sup>2</sup>	kg
29-307-60	..... Tensioner M for foundation tape.....		1.50



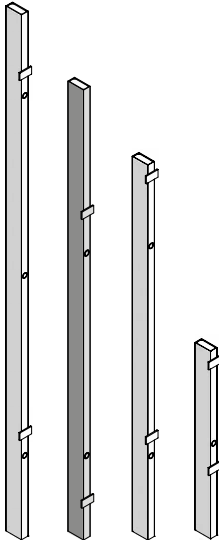
## Trolley for foundation tape

Not shown. Galvanized. Used to transport and to cut foundation tape to length. Suitable for one roll. With pneumatic tyres.

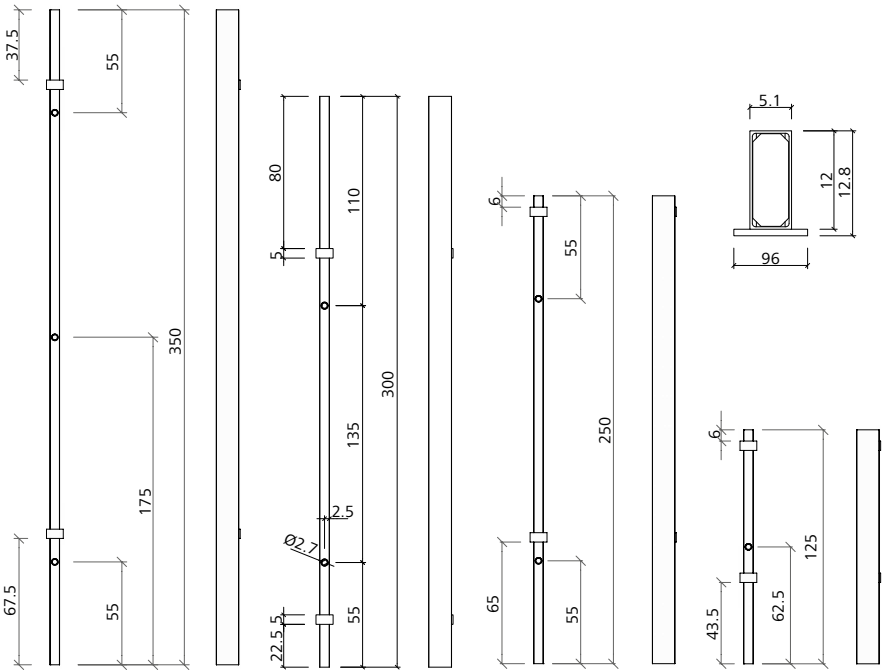
Ref.-No.	Description / Application	m <sup>2</sup>	kg
29-307-55	..... Trolley for foundation tape.....		21.80

**M filler**

Aluminium, with cured powder coating and tie holes. For length compensation of 5 cm, particularly in corners. Two or three Uni-assembly locks are required for each filler.

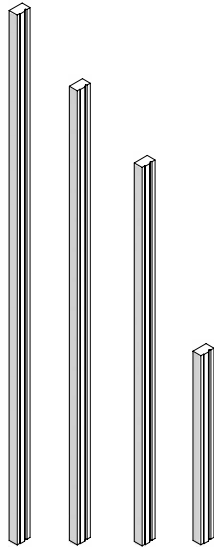


Ref.-No.	Description / Application	m <sup>2</sup>	kg
29-300-27	M 350-aluminium filler 350/8	0.44	11.83
29-300-28	M 350-aluminium filler 350/6	0.31	10.61
29-300-30	M 350-aluminium filler 350/5	0.18	10.30
29-300-31	M 350-aluminium filler 350/4	0.14	9.20
29-300-43	M XT aluminium filler 300/8	0.24	10.14
29-300-44	M XT aluminium filler 300/6	0.18	9.07
29-300-45	M XT aluminium filler 300/5	0.15	8.70
29-300-46	M XT aluminium filler 300/4	0.12	7.89
29-300-33	M 350-aluminium filler 250/8	0.20	8.55
29-300-34	M 350-aluminium filler 250/6	0.15	7.65
29-300-35	M 350-aluminium filler 250/5	0.13	7.40
29-300-36	M 350-aluminium filler 250/4	0.10	6.63
29-300-38	M 350-aluminium filler 125/8	0.10	4.47
29-300-39	M 350-aluminium filler 125/6	0.07	3.98
29-300-40	M 350-aluminium filler 125/5	0.06	3.90
29-300-41	M 350-aluminium filler 125/4	0.05	3.43

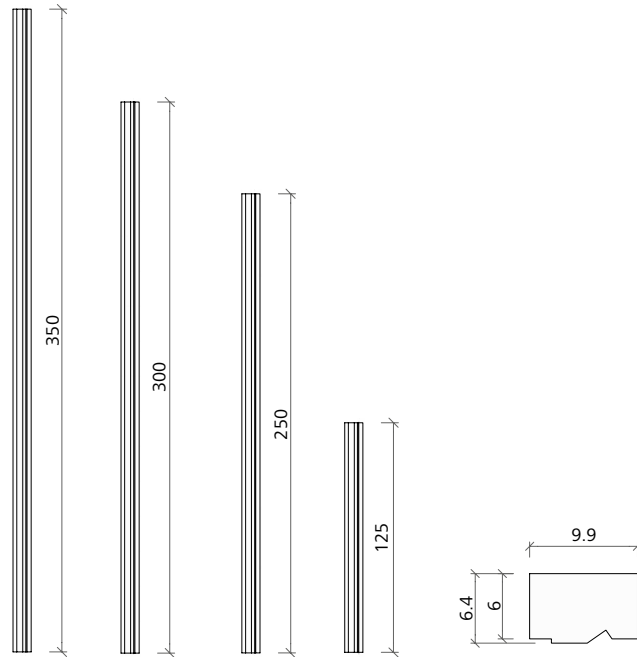


## M timber profile

Timber profile with groove. Used to support job-built length compensations of 17 cm or more or to connect job-built formwork with a 21 mm shuttering panels. Attached to Mammut XT panels with two or three assembly locks. Delivery in and weight for pairs.

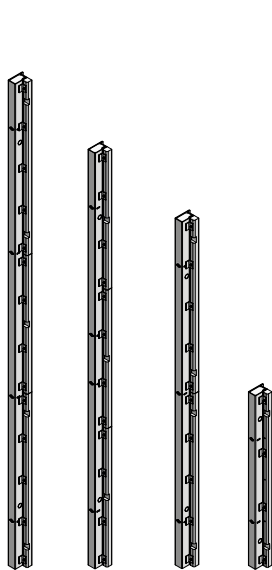


Ref.-No.	Description / Application	m <sup>2</sup>	kg
29-400-02	..... M 350-timber profile 350/21	10.10	
29-400-05	..... M timber profile 300/21	8.70	
29-400-15	..... M timber profile 250/21	7.30	
29-400-17	..... M timber profile 125/21	3.60	

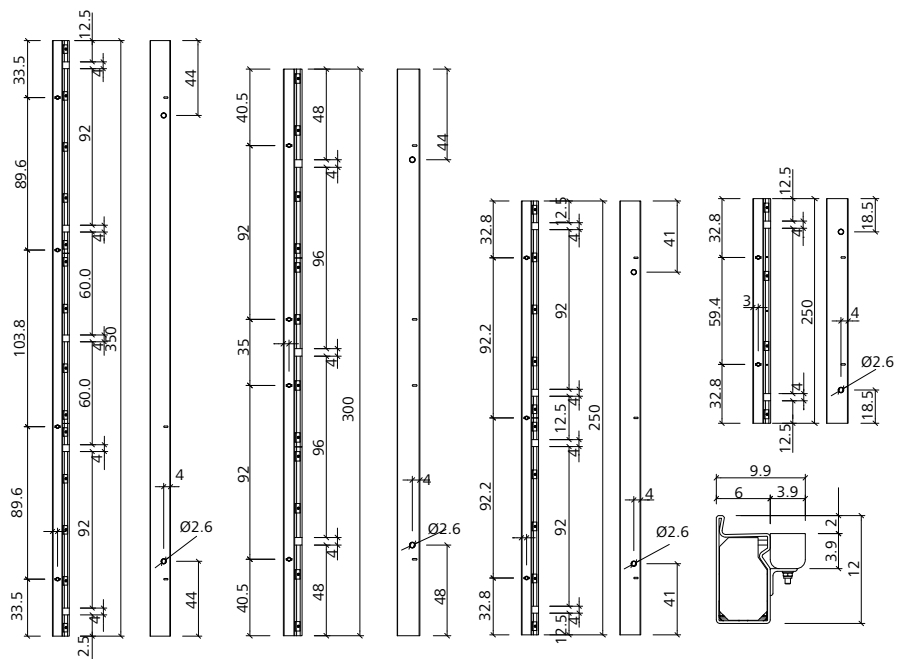


## XT compensation panel

Galvanized. Used to create length compensations between 20 and 50 cm. With integrated plastic nailing strip to attach the facing (20 mm). Delivery in and weight for pairs.



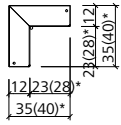
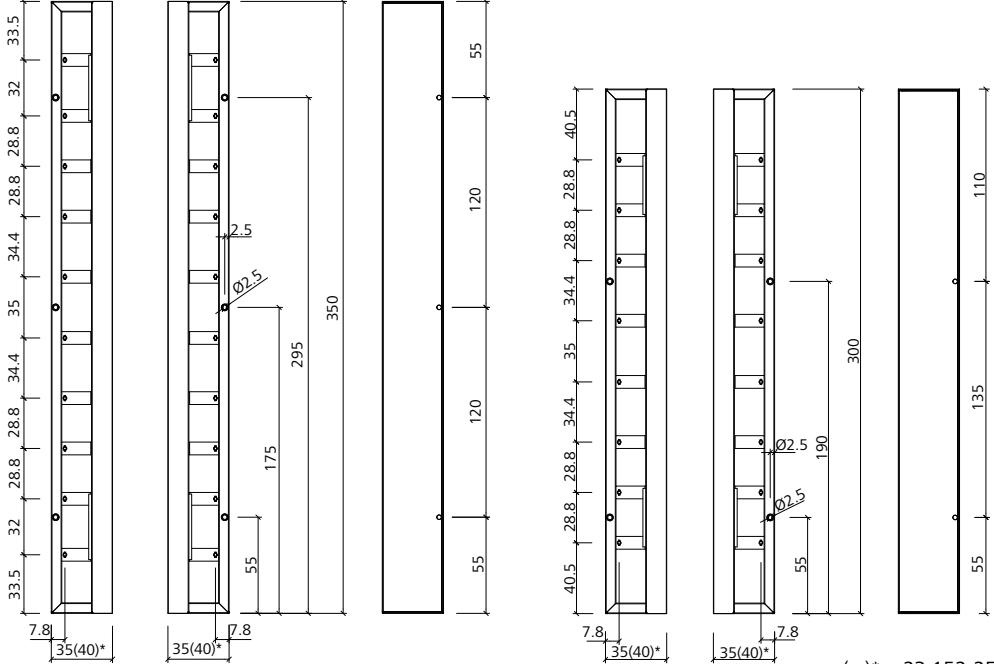
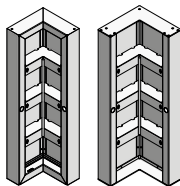
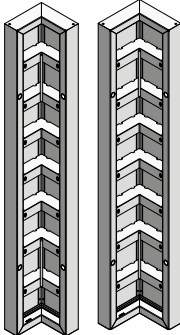
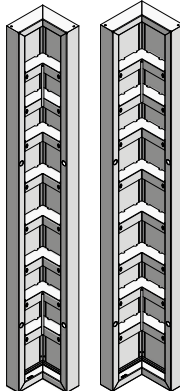
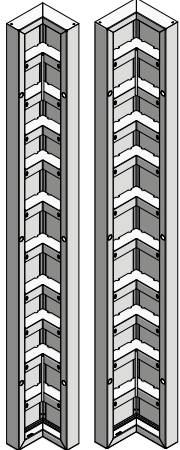
Ref.-No.	Description / Application	m <sup>2</sup>	kg
23-153-00	..... XT compensation panel 350	75.10	
23-153-05	..... XT compensation panel 300	65.00	
23-153-10	..... XT compensation panel 250	53.80	
23-153-15	..... XT compensation panel 125	27.60	



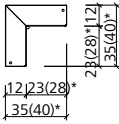
Mammut XT inside corner

Galvanized. For 90° corners, side lengths 35 and 40 cm. Steel frame with conical anchor sleeves for tying, equipped with with struts for crane movement and alkus facing. Cross stiffeners equipped with welded-in DW-threaded nuts.

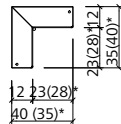
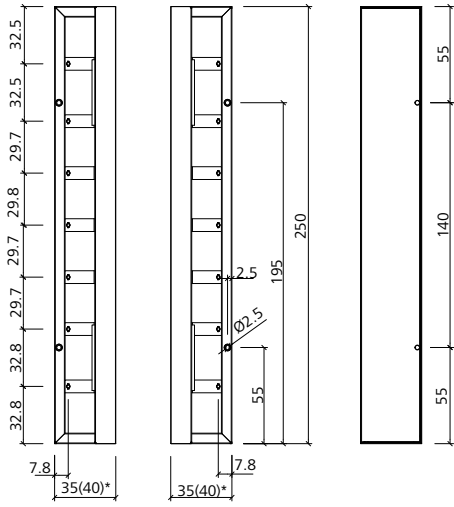
Ref.-No.	Description / Application	m <sup>2</sup>	kg
23-152-00	Mammut XT IC..... 350/35	2.45	149.00
23-152-20	Mammut XT IC..... 350/40	2.80	164.00
23-152-05	Mammut XT IC..... 300/35	2.10	126.50
23-152-25	Mammut XT IC..... 300/40	2.40	140.00
23-152-10	Mammut XT IC..... 250/35	1.75	108.50
23-152-30	Mammut XT IC..... 250/40	2.00	119.50
23-152-15	Mammut XT IC..... 125/35	0.88	56.30
23-152-35	Mammut XT IC..... 125/40	1.00	62.50



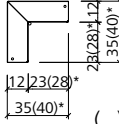
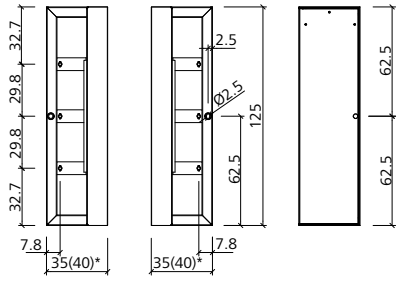
(...)\* = 23-152-20



(...)\* = 23-152-25



(...)\* = 23-152-30



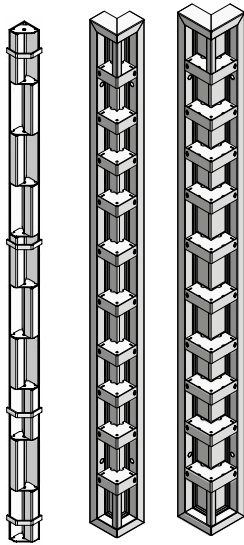
(...)\* = 23-152-35

# Wall formwork

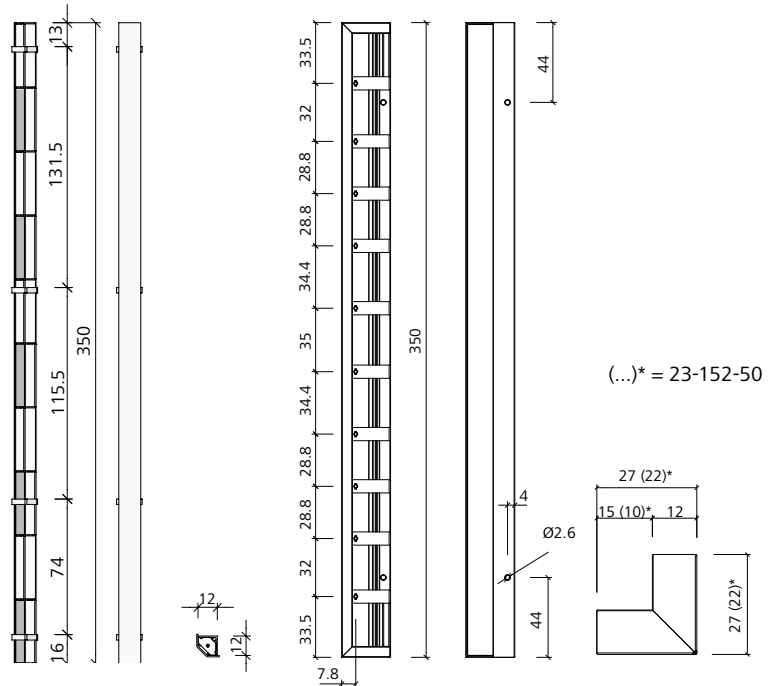
# Mammut XT

## Mammut outside corner 350

Galvanized. For 90° corners. Side lengths 0, 10 and 15 cm. Steel frame with alkus facing. Cross stiffeners with welded-in DW-threaded nuts; corners with side lengths 10 and 15 cm equipped with with struts for crane movement.

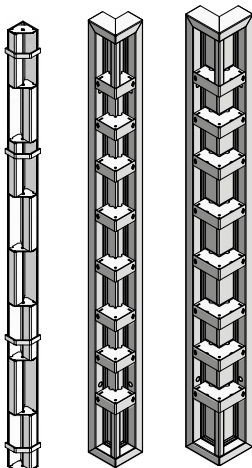


Ref.-No.	Description / Application	m <sup>2</sup>	kg
23-140-30	Mammut 350 OC ..... 350		78.00
23-152-50	Mammut XT OC ..... 350/10	0.70	101.30
23-152-70	Mammut XT OC ..... 350/15	1.05	120.70

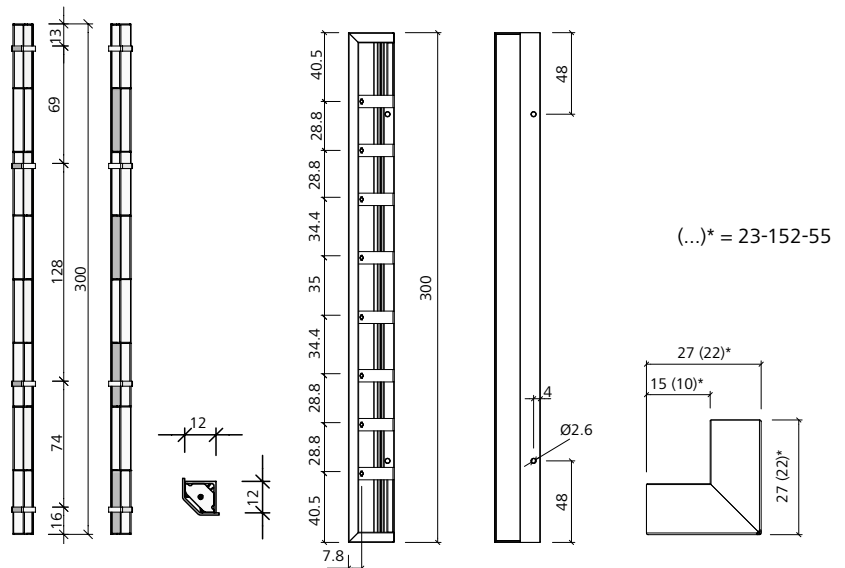


## Mammut outside corner 300

Galvanized. For 90° corners. Side lengths 0, 10 and 15 cm. Steel frame with alkus facing. Cross stiffeners with welded-in DW-threaded nuts; corners with side lengths 10 and 15 cm equipped with with struts for crane movement.



Ref.-No.	Description / Application	m <sup>2</sup>	kg
23-140-00	Mammut OC ..... 300		66.60
23-152-55	Mammut XT OC ..... 300/10	0.60	86.60
23-152-75	Mammut XT OC ..... 300/15	0.90	103.00



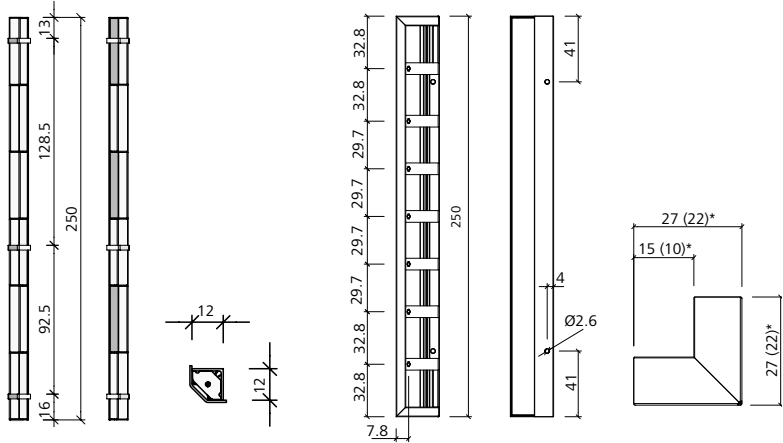
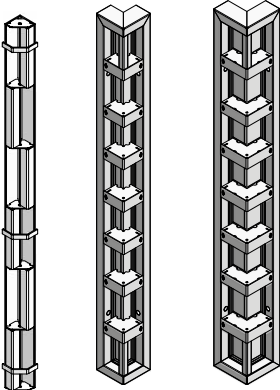
Wall formwork

Mammut XT

Mammut outside corner 250

Galvanized. For 90° corners. Side lengths 0, 10 and 15 cm. Steel frame with alkus facing. Cross stiffeners with welded-in DW-threaded nuts; corners with side lengths 10 and 15 cm equipped with with struts for crane movement.

Ref.-No.	Description / Application	m <sup>2</sup>	kg
23-140-10.....	Mammut OC.....250.....		55.20
23-152-60.....	Mammut XT OC.....250/10.....	0.50	73.60
23-152-80.....	Mammut XT OC.....250/15.....	0.75	88.00

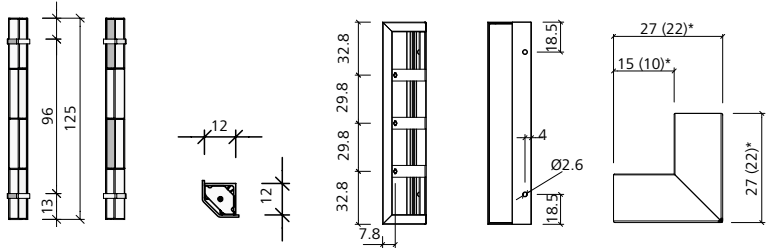
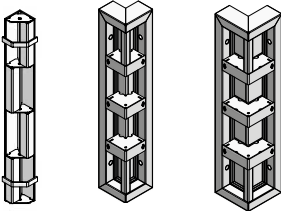


(...)\* = 23-152-60

Mammut outside corner 125

Galvanized. For 90° corners. Side lengths 0, 10 and 15 cm. Steel frame with alkus facing. Cross stiffeners with welded-in DW-threaded nuts; corners with side lengths 10 and 15 cm equipped with with struts for crane movement.

Ref.-No.	Description / Application	m <sup>2</sup>	kg
23-140-20.....	Mammut OC.....125.....		28.50
23-152-65.....	Mammut XT OC.....125/10.....	0.25	38.20
23-152-85.....	Mammut XT OC.....125/15.....	0.38	45.50



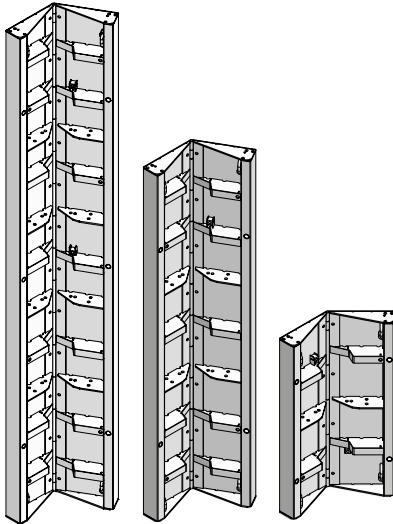
(...)\* = 23-152-65

# Wall formwork

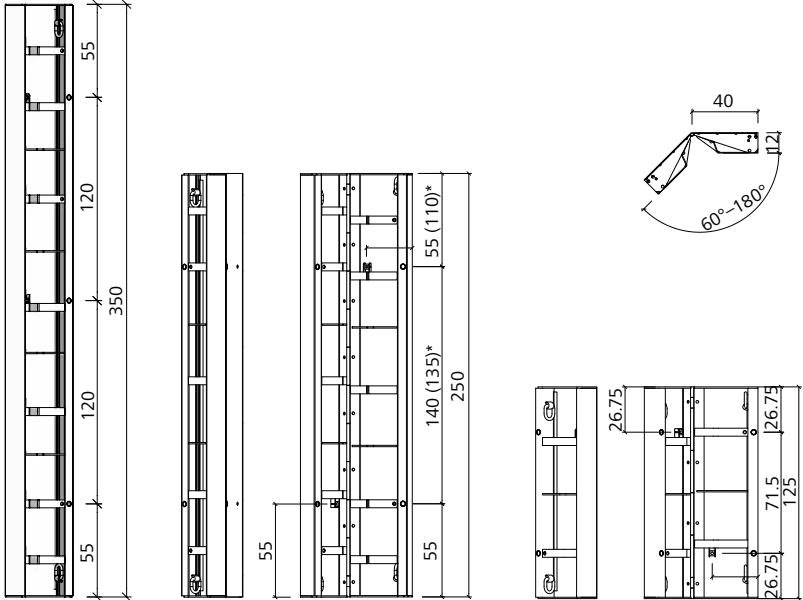
# Mammut XT

## Mammut hinged inside corner

Steel construction with steel sheeting. Primed and cavity-sealed. Side length 40 cm. Adjustable angle 60° - 180°.



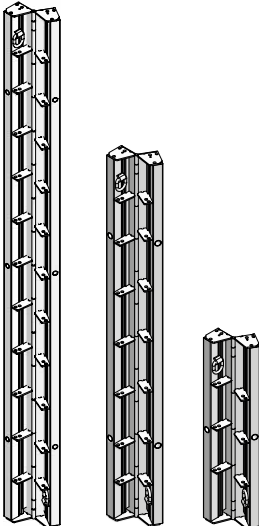
Ref.-No.	Description / Application	m <sup>2</sup>	kg
23-137-30	Mammut 350 HIC ..... 350/40	2.80	235.00
23-137-53	Mammut XT HIC ..... 300/40	2.40	194.00
23-137-41	Mammut HIC ..... 250/40	2.00	166.00
23-137-51	Mammut HIC ..... 125/40	1.00	85.50



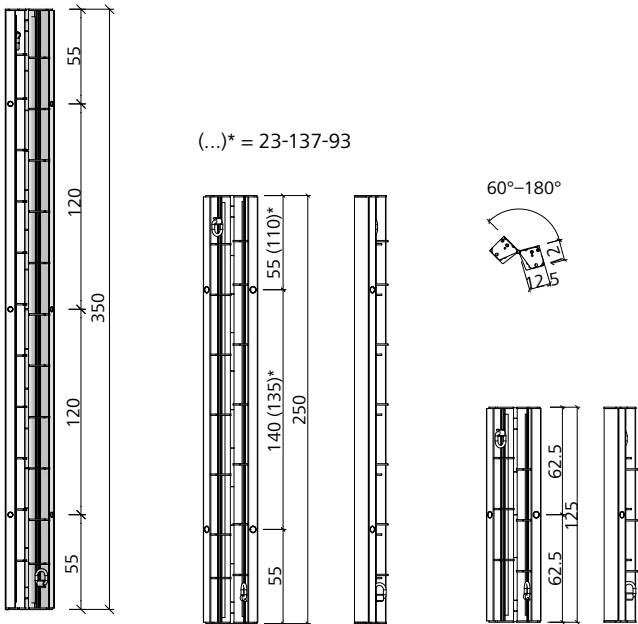
(...)\* = 23-137-53

## Mammut hinged outside corner

Steel construction with steel sheeting. Primed and cavity-sealed. Side length 12.5 cm. Adjustable angle 60° - 180°.



Ref.-No.	Description / Application	m <sup>2</sup>	kg
23-137-70	Mammut 350 HOC ..... 350/12.5	0.88	114.60
23-137-93	Mammut XT HOC ..... 300/12.5	0.75	96.20
23-137-81	Mammut HOC ..... 250/12.5	0.63	81.60
23-137-91	Mammut HOC ..... 125/12.5	0.31	42.00



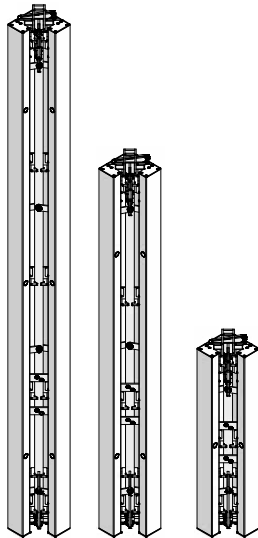
(...)\* = 23-137-93

# Wall formwork

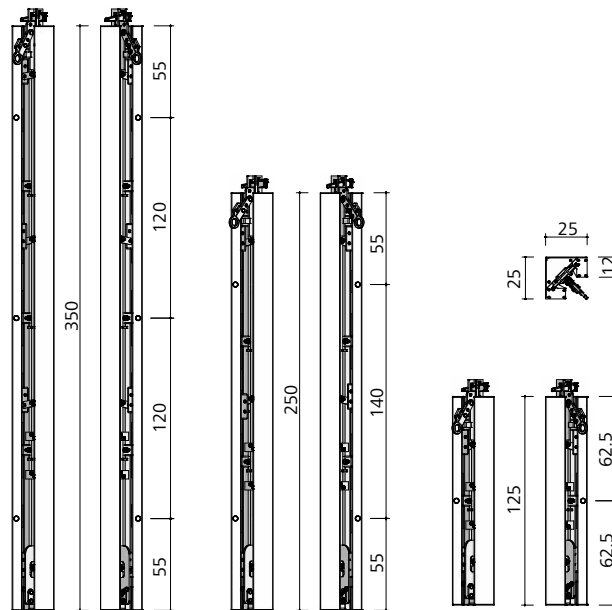
# Mammut XT

## Mammut stripping corner

Steel construction with steel sheeting. Side length 25 cm. With tie holes. When the bell-crank lever is pushed upwards with a crowbar, the corner is removed 17.5 mm away from the concrete and the formwork 35 mm away from the concrete on both sides.



Ref.-No.	Description / Application	m <sup>2</sup>	kg
23-151-00	Mammut 350 SC.....350/25	1.75	189.71
23-151-20	Mammut 350 SC.....250/25	1.25	141.06
23-151-30	Mammut 350 SC.....125/25	0.63	80.30



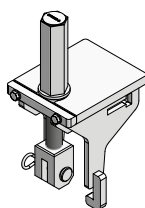
## Adhesive tape, red

Not shown. Reinforced adhesive tape, red, 50 mm wide, 50 running metres. Total thickness: 270 µm. Natural rubber adhesive on one side. PE-coated.

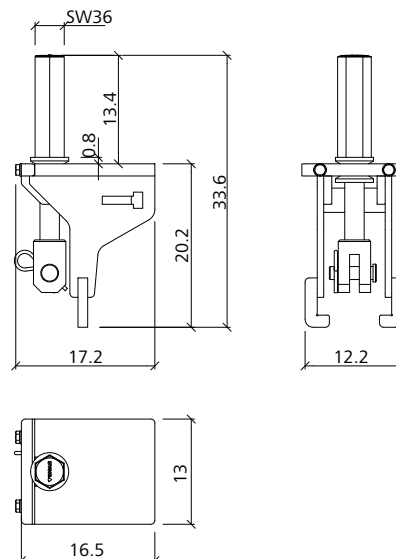
Ref.-No.	Description / Application	m <sup>2</sup>	kg
41-912-10	Adhesive tape 50 m, red	0.83	

## Stripping corner tool

Is used to easily activate the stripping corner from above. It can be activated and returned to its original position. It is operated with a power screwdriver, a ratchet wrench or a spanner (SW 36).



Ref.-No.	Description / Application	m <sup>2</sup>	kg
29-306-32	Stripping corner tool	6.60	



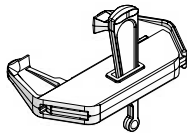


# Wall formwork

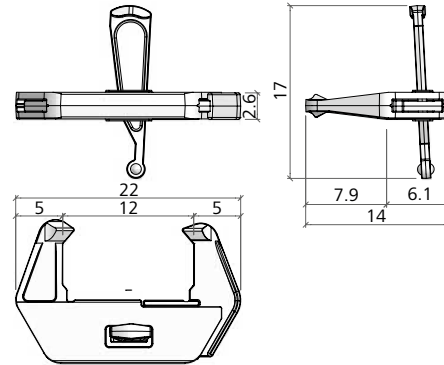
# Mammut XT

## M assembly lock

Galvanized. Tightly connects and aligns Mammut panels.  
Clamping length 12 cm.

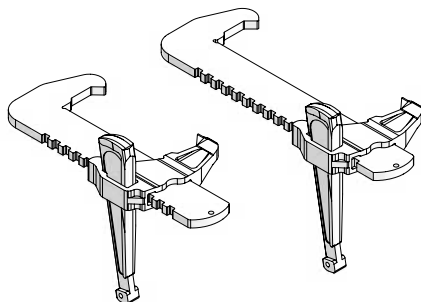


Ref.-No.	Description / Application	m <sup>2</sup>	kg
29-400-71	M assembly lock		3.00

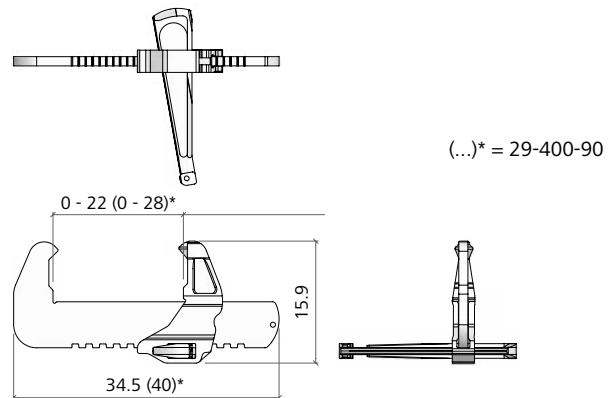


## Uni-assembly lock

Galvanized. For stepless compensation.  
Clamping length 22 cm or 28 cm.

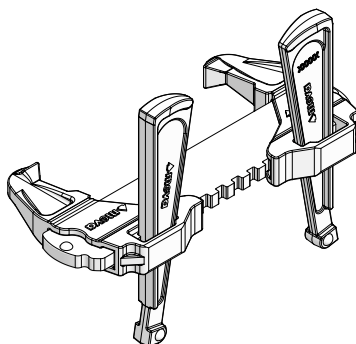


Ref.-No.	Description / Application	m <sup>2</sup>	kg
29-400-85	Uni-assembly lock 22		3.60
29-400-90	Uni-assembly lock 28		3.90

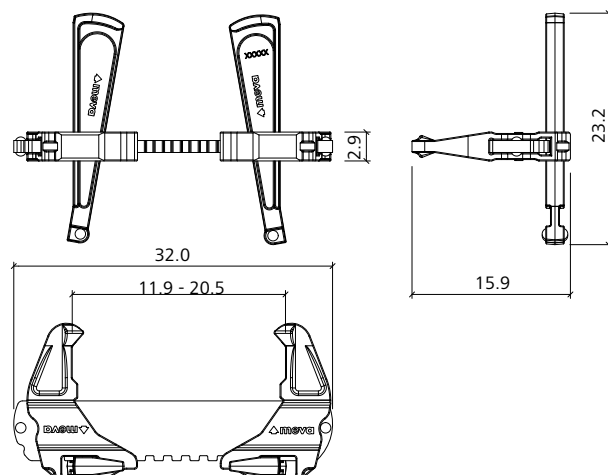


## RS-assembly lock

Galvanized, For stepless length compensation.  
Clamping length is 11.9 to 20.5 cm for stepless compensation.



Ref.-No.	Description / Application	m <sup>2</sup>	kg
23-807-70	RS-assembly lock		4.70

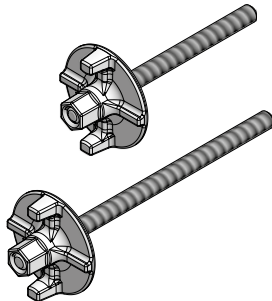


# Wall formwork

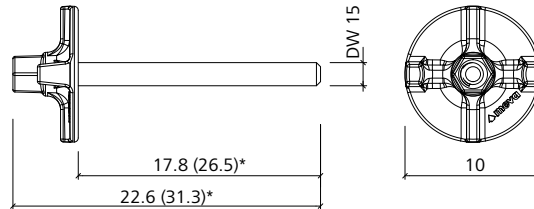
# Mammut XT

## Flange screw

Galvanized. Is used to attach accessories, e.g. alignment rails, brace frames, push-pull props, etc. Length of thread 18 cm or 27 cm.



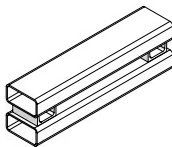
Ref.-No.	Description / Application	m <sup>2</sup>	kg
29-401-10	..... Flange screw 18 .....		1.02
29-401-12	..... Flange screw 28 .....		1.28



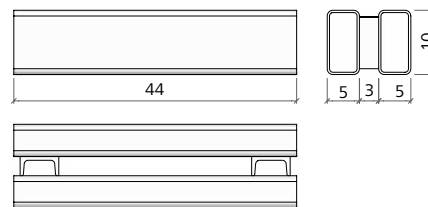
(...)\* = 29-401-12

## M cross stiffener 44

Galvanized. Short alignment rail used to brace panel joints for crane ganging and to reinforce length compensations.

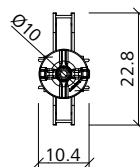
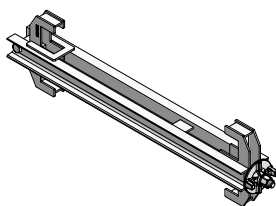


Ref.-No.	Description / Application	m <sup>2</sup>	kg
29-401-02	..... M cross stiffener 44 .....		6.30

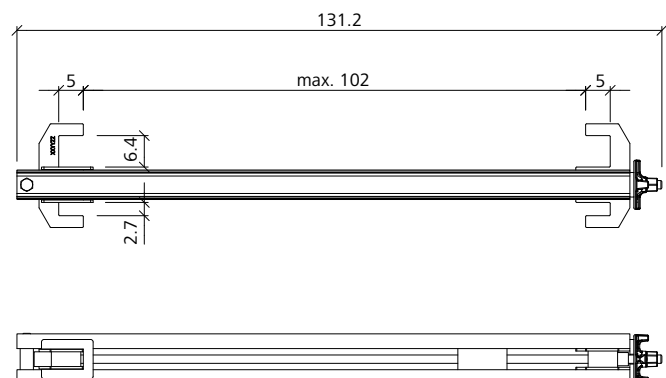
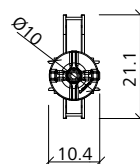
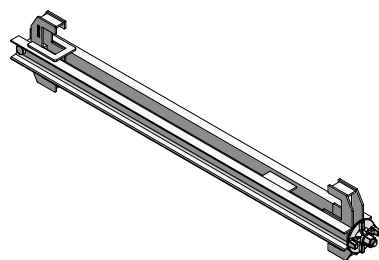
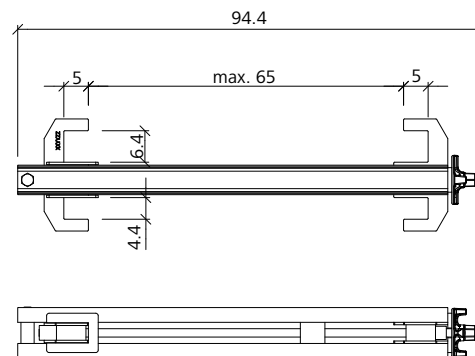


## Stop end bracket

Galvanized. Is used to form stop ends. Stop end bracket 40/60 for wall thickness up to 40 cm. Stop end bracket 2.5' - 60/23 for wall thickness up to 75 cm.

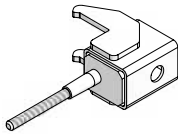


Ref.-No.	Description / Application	m <sup>2</sup>	kg
29-105-50	..... Stop end bracket 40/60 .....		15.10
29-105-60	..... Stop end bracket 2.5' - 60/23 .....		19.50

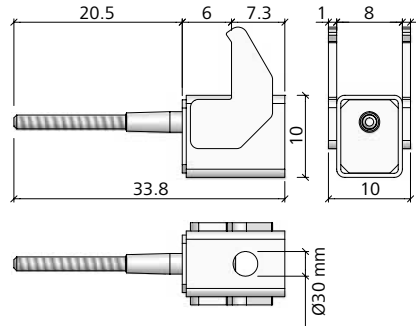


## Column clamp

Galvanized. Is used to attach alignment rails to panels when forming stop ends. Suited for 60 mm frame profiles of Mammut and Mammut 350 panels. A flange nut 100 or an articulated flange nut 15/120 is also required. The column clamp is attached to the multi-function profile with a flange screw 18.



Ref.-No.	Description / Application	m <sup>2</sup>	kg
29-402-70	..... Column clamp 21, galv.....		4.00



## Plug

PVC. Used to seal unused Mammut XT tie holes. D35/... for XT tie hole, D27/... for frame tie hole.

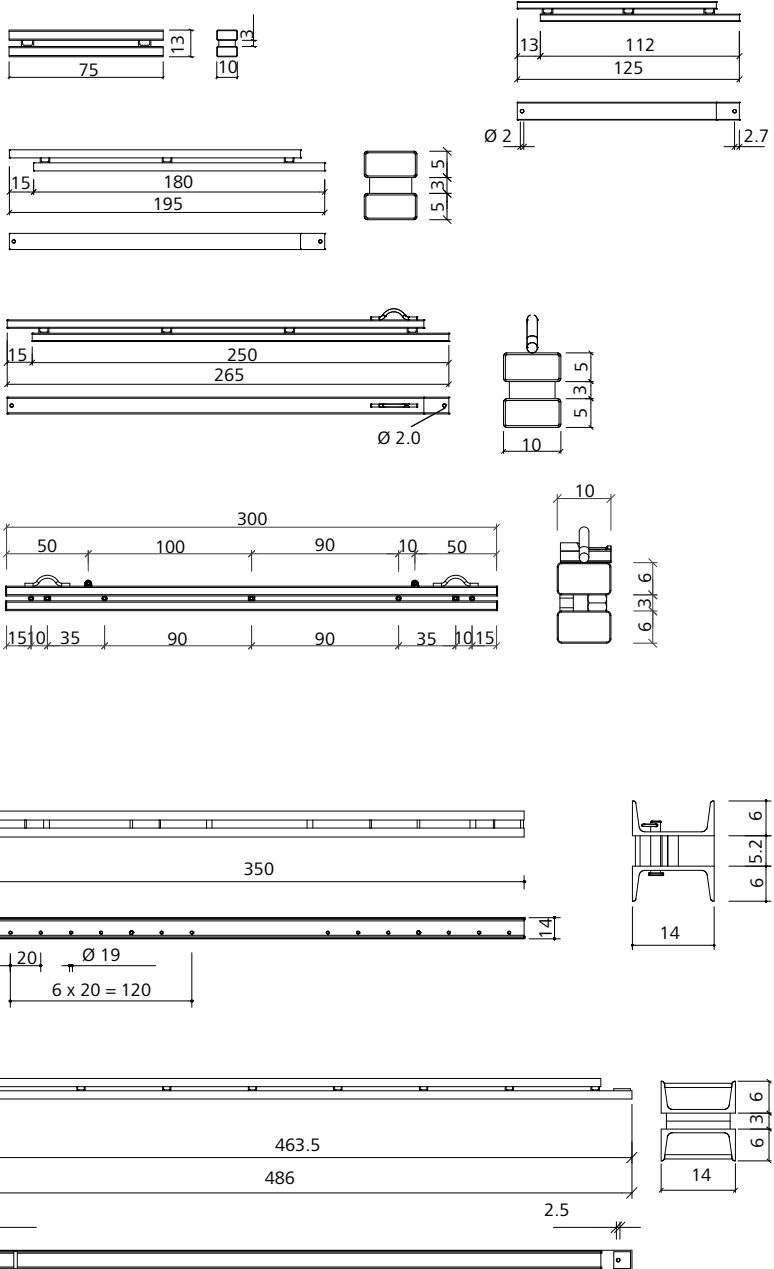
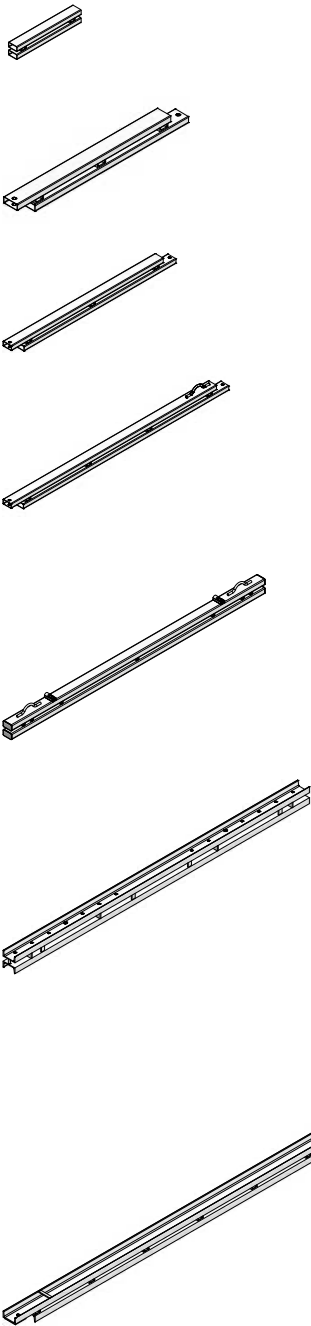


Ref.-No.	Description / Application	m <sup>2</sup>	kg
29-902-71	..... Plug D35/38.....		0.01
29-902-72	..... Plug D35/38 without imprint.....		0.01
29-902-61	..... Plug D27/30.....		0.01
29-902-68	..... Plug D27 without imprint, flat.....		0.01
29-902-62	..... Plug D20 without imprint.....		0.01
29-902-63	..... Plug D20 red.....		0.01

Alignment rail

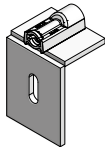
Galvanized. Used to brace panel joints for crane ganging, to bridge problem areas, to brace compensation areas and to create stop ends with column clamps. Attached to the formwork by means of flange screws.

Ref.-No.	Description / Application	m <sup>2</sup>	kg
29-400-95	M-alignment rail 75, galv.	11.00	
29-201-75	AS-alignment rail 125, galv.	10.50	
29-400-92	M-alignment rail 180, galv.	24.80	
29-402-50	M-alignment rail 250, galv.	34.50	
29-403-05	Cross beam 300	60.00	
29-402-45	M-alignment rail 350, reinforced	124.00	
29-402-38	M-alignment rail 450, reinforced	159.00	

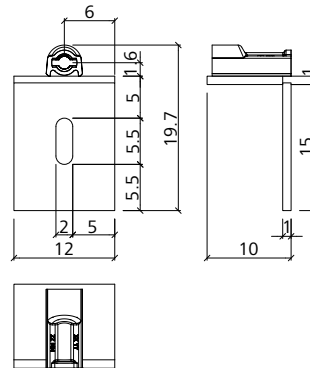


## Support angle for walkway brackets

Galvanized. Is used to support a walkway bracket if the DW-nut on the multi-function profile is covered by an alignment rail. In this case the mounting bracket is fixed to the panel through the alignment rail by a separate flange screw.

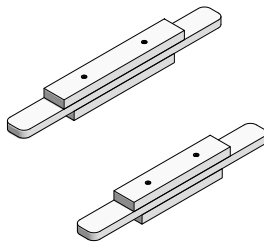


Ref.-No.	Description / Application	m <sup>2</sup>	kg
29-106-95	Support angle for walkway brackets	2.70	

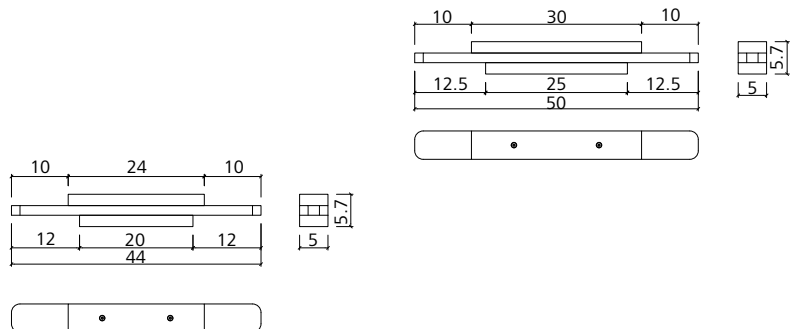


## Spacer

alkus-sheet to maintain the distance between the wall thickness. Is inserted between the formwork at the top. For wall thickness 25 cm and 30 cm or 20 cm and 24 cm.

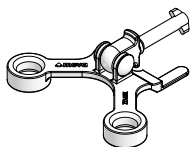


Ref.-No.	Description / Application	m <sup>2</sup>	kg
29-901-62	Spacer 25/30 AL20/17	0.72	
29-901-52	Spacer 20/24 AL20/17	0.60	

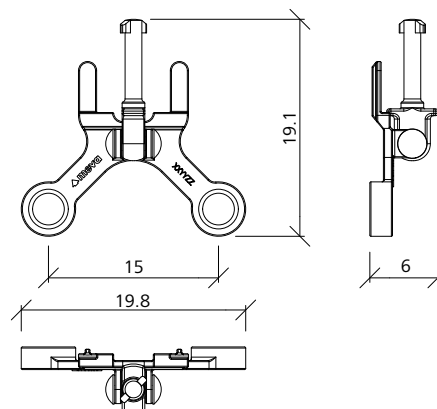


## Tie rod fixture

Galvanized. Used to hold DW tie rods with articulated flange nut, XT tie rods or XT taper ties. Can be used with horizontal or vertical MEVA wall formwork panels.

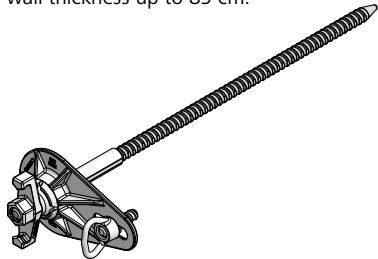


Ref.-No.	Description / Application	m <sup>2</sup>	kg
29-927-05	Tie rod fixture Ø35	1.20	

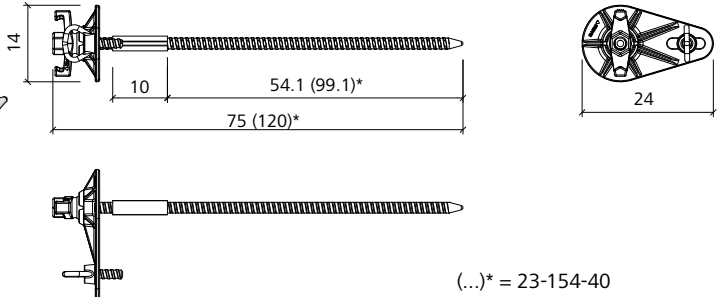


**XT tie rod DW 20**

Uncoated, with DW 20 thread. DIN 18216, not weldable. Used for single-sided and conventional tying of panels on double-sided formwork. Permissible load 160 kN. With integrated articulated flange nut. Length = 75 cm for wall thickness up to 40 cm, Length = 120 cm for wall thickness up to 85 cm.



Ref.-No.	Description / Application	m <sup>2</sup>	kg
23-154-35	.....XT tie rod DW 20/75 .....		4.75
23-154-40	.....XT tie rod DW 20/120 .....		5.89

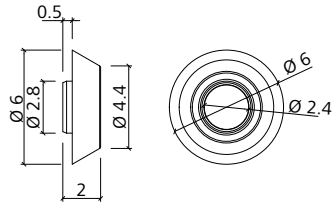


**XT cone DW 20**

PE; used on the initial formwork of Mammut XT when using the XT tie rod DW 20 in order to set the distance. Replaces XT sleeve (29-902-36).

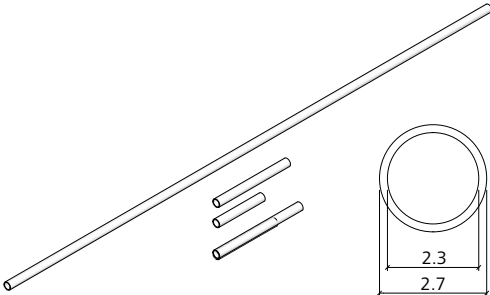


Ref.-No.	Description / Application	m <sup>2</sup>	kg
29-902-37	.....XT cone DW 20.....		0.02

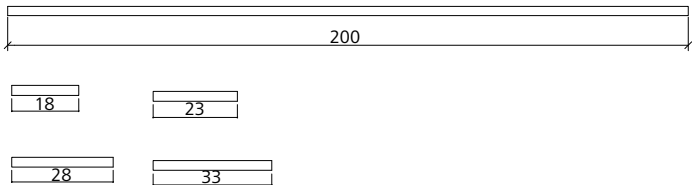


**Plastic tube D23**

Plastic tube for use as an anchor sleeve for a XT tie rod DW 20.



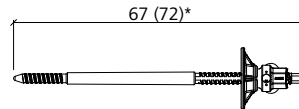
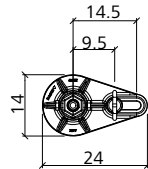
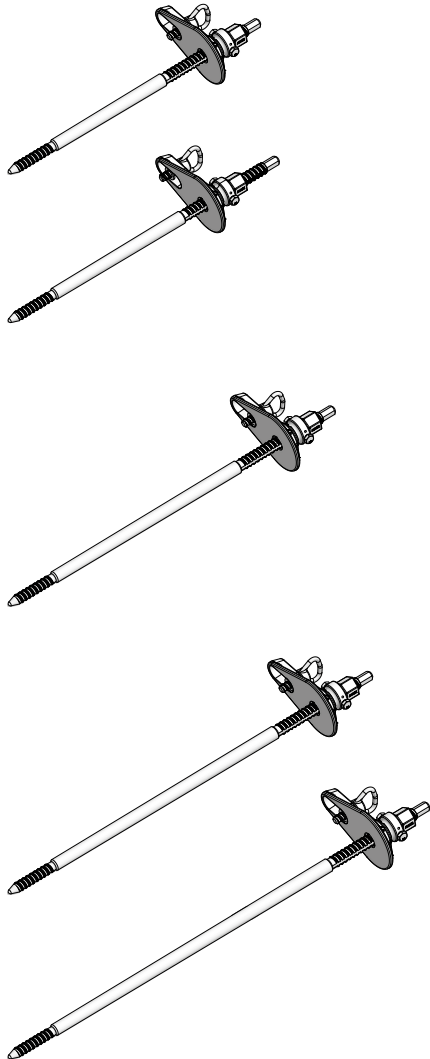
Ref.-No.	Description / Application	m <sup>2</sup>	kg
29-902-31	.....Plastic tube D23/200 .....		0.44
29-902-03	.....Plastic tube D23/18 .....		0.04
29-902-04	.....Plastic tube D23/23 .....		0.05
29-902-05	.....Plastic tube D23/28 .....		0.06
29-902-06	.....Plastic tube D23/33 .....		0.08



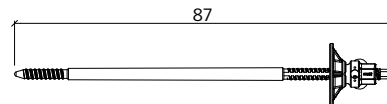
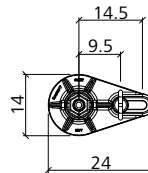
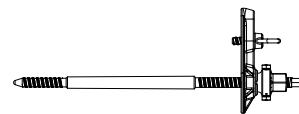
## XT taper tie 23/...

Coated, with DW thread and conical, smooth middle section. Used for single-sided tying of panels on double-sided formwork. Permissible load 160 kN. With Adjustment screw for precise wall thickness adjustment between 15 - 25 cm, 20 - 30 cm, 35 - 45 cm, 45 - 55 cm and 60 - 70 cm.

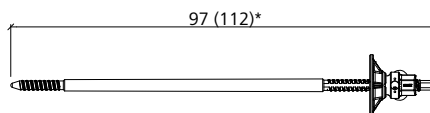
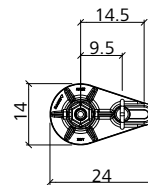
Ref.-No.	Description / Application	m <sup>2</sup>	kg
23-154-60	.....XT taper tie 23/15-25.....		5.71
23-154-65	.....XT taper tie 23/20-30.....		5.94
23-154-70	.....XT taper tie 23/35-45.....		6.63
23-154-75	.....XT taper tie 23/45-55.....		7.10
23-154-80	.....XT taper tie 23/60-70.....		7.90



(..)\* = 23-154-65



(..)\* = 23-154-80



## XT taper tie Ratchet spanner SW 17 & SW 19

Not shown, tool set used to tighten and loose XT taper ties. It consists of: Ratchet spanner, chrome-plated and polished, length 53 cm. Spanner socket AF17, black-oxidized for XT taper ties 20. Spanner socket AF19, black-oxidized for XT taper ties 23.

Ref.-No.	Description / Application	m <sup>2</sup>	kg
29-800-25	.....XT taper tie Ratchet spanner SW 17 & SW 19 .....		3.00

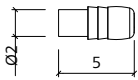
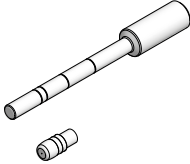
**Divinol Wax**

Not shown. Paste-like solvent-based wax suitable for all formwork (wood, steel, plastic-coated). Rain resistant. Recommended for use on the XT taper ties.

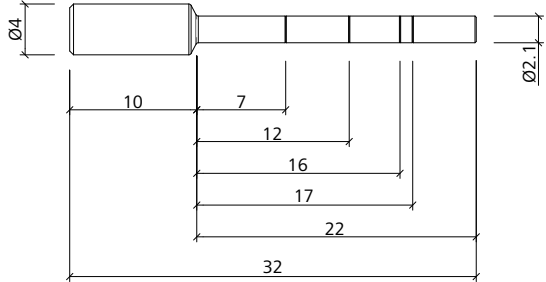
Ref.-No.	Description / Application	m <sup>2</sup>	kg
29-203-30	Divinol pasty wax		1.10

**FB-Aktivstop XT 20 SET**

Plug made of fibre concrete with an integrated expansion seal to close tapered openings in the wall incl. hammering aid. Only suitable for XT taper tie 20/...



Ref.-No.	Description / Application	m <sup>2</sup>	kg
29-902-41	FB-Aktivstop XT 20 SET		3.50



**MEVA Multi-Stopp 23**

TPE – thermoplastic elastomer, Concrete grey. Tie holes plugs that seal against hydrostatic pressure when using the XT taper tie 23 (hammering aid is available separately). Can be used in conjunction with XT sealing cone 5 or XT sealing cone 10. Resistant, inter alia, to salt water, diesel, bitumen and caustic soda lye.

Ref.-No.	Description / Application	m <sup>2</sup>	kg
29-902-43	MEVA Multi-Stopp 23		0,04



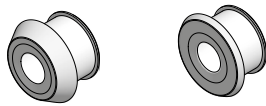


# Wall formwork

# Mammut XT

## XT sealing cone

Plastic. Used to seal the tie holes when using the XT tie rod and the XT taper tie.



Ref.-No.	Description / Application	m <sup>2</sup>	kg
29-902-34	.....XT sealing cone 5 AL20.....		0.01
29-902-35	.....XT sealing cone 10 AL20.....		0.01

## XT fibre concrete plug 47 x 8,5

Nor shown. Made of fibre concrete, to close anchor points on the walls when using XT-seal cones 10 (29-902-35), the plugs are glued in place by concrete glue A + B (53-210-70)

Ref.-No.	Description / Application	m <sup>2</sup>	kg
29-902-82	.....XT fibre concrete plug 47 x 8,5.....		0.03

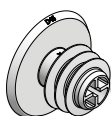
## Concrete glue A + B

Not shown. 2-component concrete glue for fair-faced concrete plugs. Quantity is sufficient for 150 plugs.

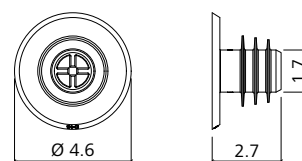
Ref.-No.	Description / Application	m <sup>2</sup>	kg
53-210-70	.....Concrete glue (A + B).....		1.00

## XT plug D46

Grey plastic. Used to close the tie holes in the concrete when using XT DW tie rods with plastic tubes or when using XT taper ties. The XT plug D46 is recessed in the shadow gap. Two sealing plugs are required per anchor point.

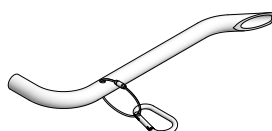


Ref.-No.	Description / Application	m <sup>2</sup>	kg
29-902-81	.....XT plug D46.....		0.01

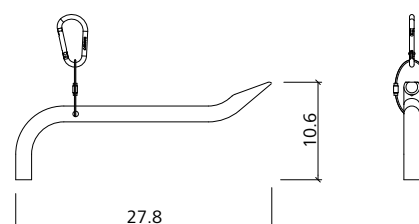


## XT combi-lever

Galvanized. Used to rotate and adjust the XT tie hole.



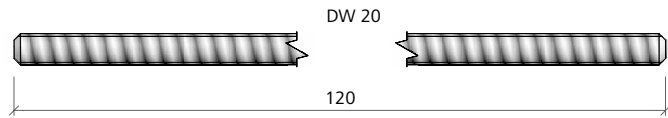
Ref.-No.	Description / Application	m <sup>2</sup>	kg
23-154-90	.....XT combi lever.....		0.30



## Tie rod DW

Uncoated, not weldable; DIN 18216; with DW thread; admissible load capacity 160 kN (Ø 20 mm); is used to tie panels of a double-sided formwork.

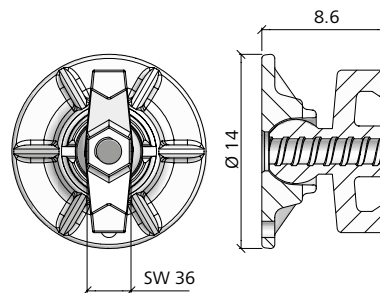
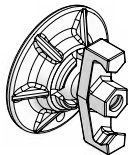
Ref.-No.	Description / Application	m <sup>2</sup>	kg
29-900-97	Tie rod DW 20/120		3.00



## Articulated flange nut

Forged, galvanized. DIN 18216, with DW thread Ø 20 mm, plate Ø 140 mm, max. inclination 10°, WAF 36 mm. Permissible load 160 kN.

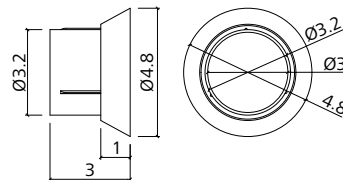
Ref.-No.	Description / Application	m <sup>2</sup>	kg
29-900-05	Articulated flange nut 20/140		2.40



## Cone for plastic tube

Available with 10 mm covering.

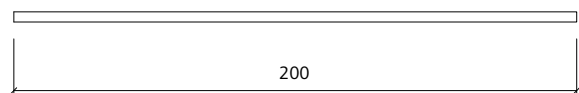
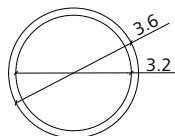
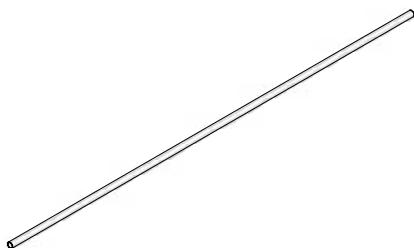
Ref.-No.	Description / Application	m <sup>2</sup>	kg
29-902-55	Cone for plastic tube D32/10		0.01



## Plastic tube D32

Plastic tube for use as an anchor sleeve for a tie rod DW20.

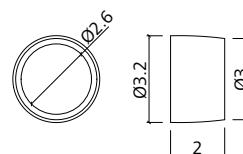
Ref.-No.	Description / Application	m <sup>2</sup>	kg
29-902-28	Plastic tube D32/200		0.40



## Plug D32

For closing the anchor points in the wall when using grooved Plastic tubes D32. Two plugs are required per anchor point.

Ref.-No.	Description / Application	m <sup>2</sup>	kg
29-902-58	Plug D32		0.01

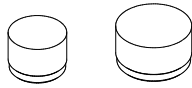


# Wall formwork

# Mammut XT

## Tie hole plug

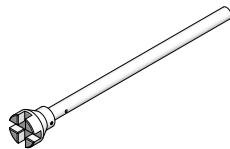
Polypropylene, for closing anchor points Ø 27 mm or 35 mm in alkus AL 20 sheets.



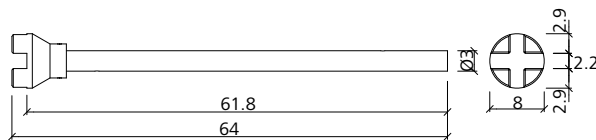
Ref.-No.	Description / Application	m <sup>2</sup>	kg
29-902-78	Tie hole plug D27 x 20	0.01	
29-902-79	Tie hole plug D35 x 20	0.02	
29-902-80	Tie hole plug D35 x 27	0.02	

## Tie wrench DW15/DW20

Made of steel, galvanized. Used to screw in, screw out and hold tie rods DW20 and DW23; length 640 mm.

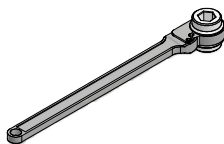


Ref.-No.	Description / Application	m <sup>2</sup>	kg
29-901-39	Tie wrench DW15/DW20	3.10	

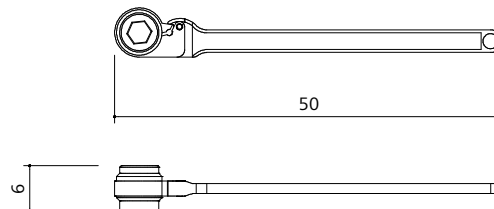


## Spanner

Yellow chromatised bit. WAF 36 mm. Used to tighten and loosen XT tie rod DW 20 and articulated flange nuts 20/140.

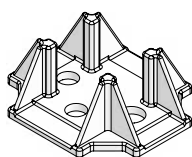


Ref.-No.	Description / Application	m <sup>2</sup>	kg
29-800-15	Spanner SW 36	3.30	

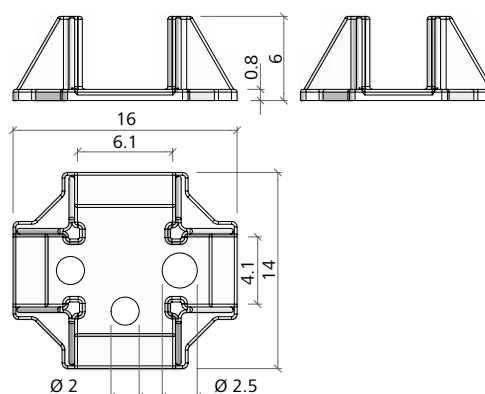


## Uni-tie claw

Galvanized. Permits tying directly above or beside the panels. Is suited for panels with profile widths of 40 and 60 mm.



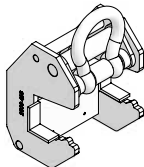
Ref.-No.	Description / Application	m <sup>2</sup>	kg
29-901-41	Uni-tie claw	1.52	



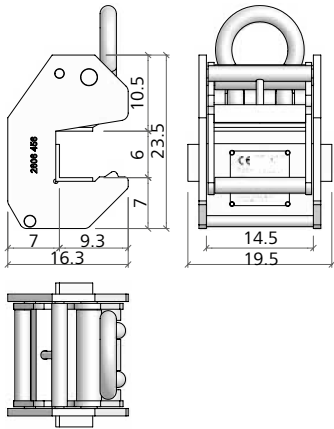
Wall formwork

**M crane hook**

Used to move panels. Self-locking; load capacity 15 kN (1.5 tons). Each gang requires two crane hooks. Refer to the operating instructions for the application and safety inspection.

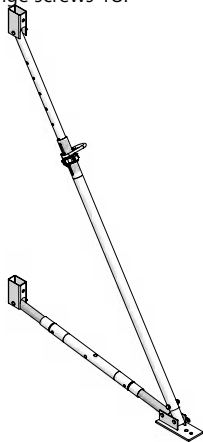


Ref.-No.	Description / Application	m <sup>2</sup>	kg
29-401-21	M crane hook		9.63

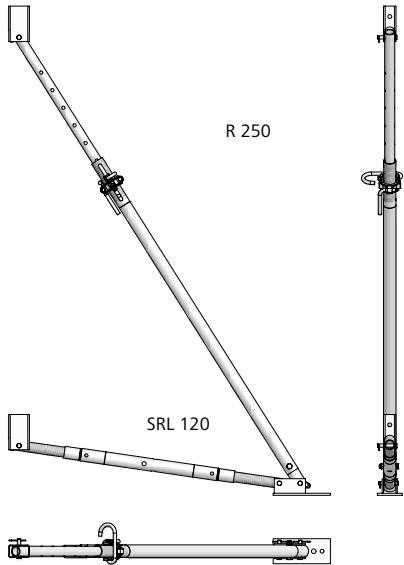


**Brace frame 250**

Galvanized. Available with formwork-prop connector. Is used to align and brace the formwork. Consists of a push-pull prop R 250 (190 - 320 cm), a brace SRL 120 (90 - 150 cm) and a double-jointed footplate. The formwork-prop connectors are attached to the formwork with flange screws 18.

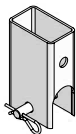


Ref.-No.	Description / Application	m <sup>2</sup>	kg
29-109-20	Brace frame 250 with formwork-prop connector		1.50

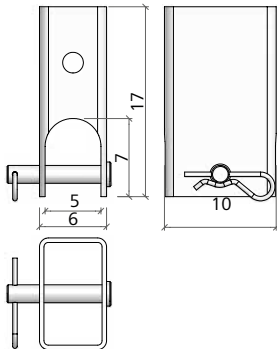


**Formwork-prop connector**

Galvanized. Including head bolt 16/90 and cotter pin 4. Used to connect brace frames, braces and push-pull props to the multi-function profile with flange screw 18. Maximum tube diameter of the braces and push-pull props is 48 mm.



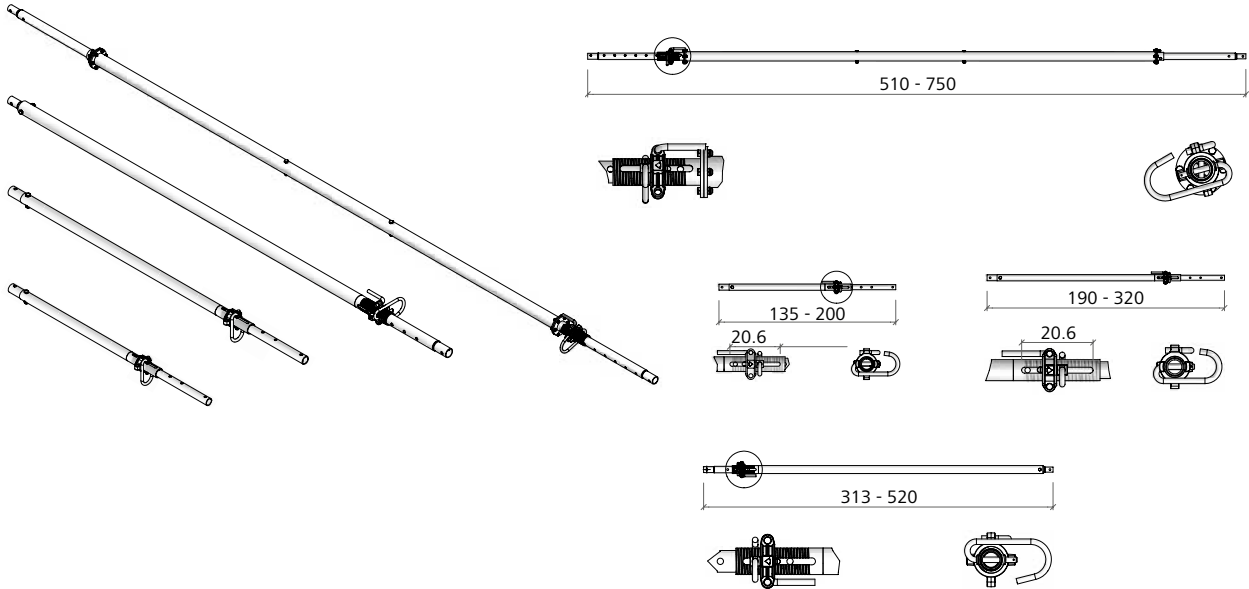
Ref.-No.	Description / Application	m <sup>2</sup>	kg
29-804-85	Formwork-prop connector		1.65



**Push-pull prop R**

Galvanized. Guarantee tensile and compression strength. Align and brace wall formwork. Length of thread 20.6 cm. Foot plates and formwork-prop-connectors to be ordered separately.

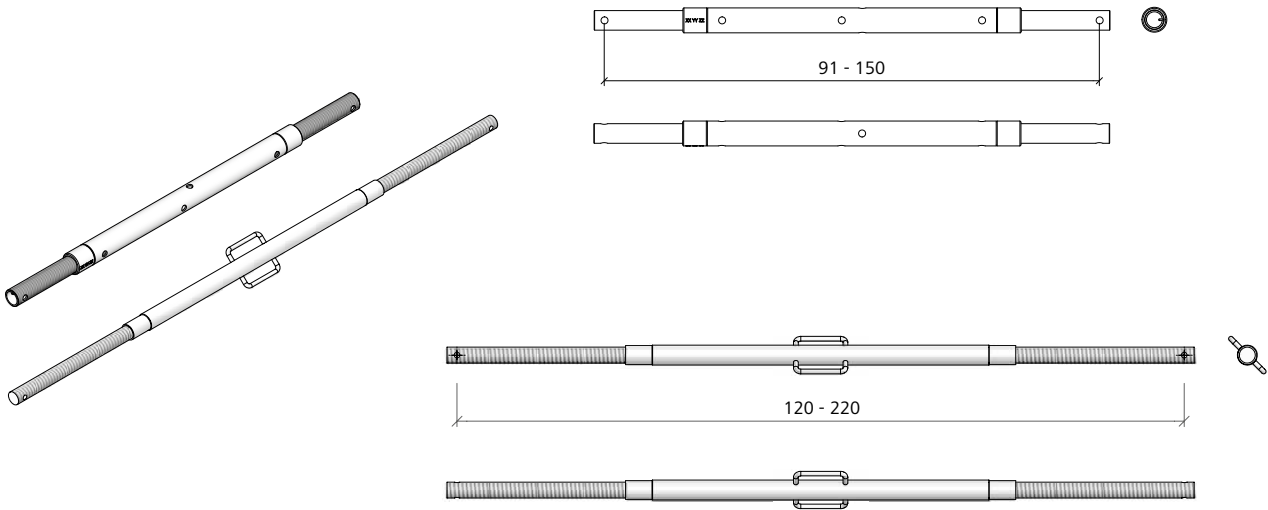
Ref.-No.	Description / Application	m <sup>2</sup>	kg
29-109-40	..... Push-pull prop R 160.....(135-200).....		12.60
29-109-60	..... Push-pull prop R 250.....(190-320).....		17.20
29-109-80	..... Push-pull prop R 460 .....(340-520).....		34.00
29-109-85	..... Push-pull prop R 630.....(510-760).....		57.00



**Brace SRL**

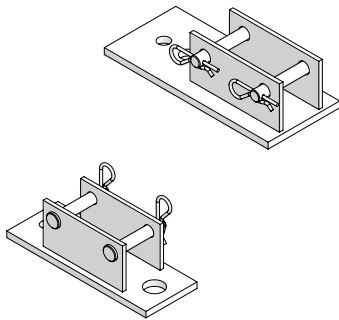
Galvanized. Guarantees tensile and compression strength. Consists of a right and left-hand spindle as well as a revolving central part. Aligns and supports wall and column formwork. The footplate and connectors must be ordered separately.

Ref.-No.	Description / Application	m <sup>2</sup>	kg
29-108-80	..... Brace SRL 120.....(91-150).....		8.79
29-108-90	..... Brace SRL 170.....(120-220).....		11.50

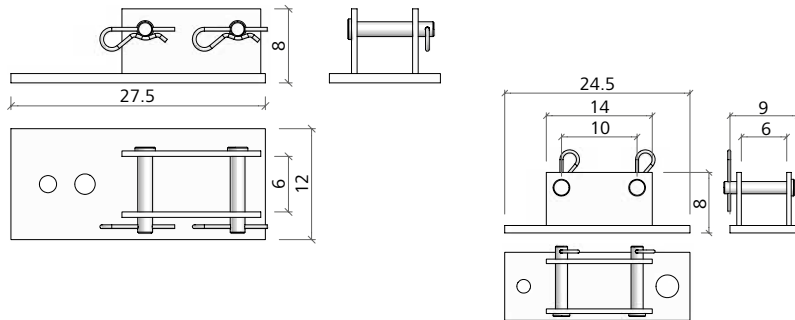


## Foot plate

Galvanized. With head bolt 16/90 and cotter pin 4. Serves as foot plate for brace frames 250 and as connector for braces and push-pull props up to  $\varnothing$  57 mm.

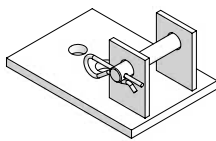


Ref.-No.	Description / Application	m <sup>2</sup>	kg
29-402-32.....	Double-jointed foot plate (prop diam. up to 57 mm).....	4.00	
79-427-50 .....	Foot plate 60 (prop diam. up to 57 mm) .....	3.00	

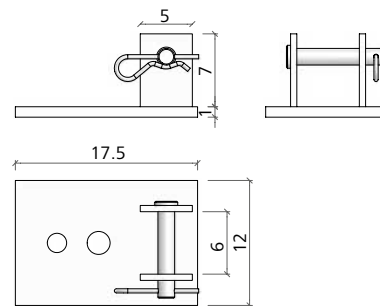


## Articulated foot plate

Galvanized. With head bolt 16/90 and cotter pin 4. For push-pull props and braces of up to  $\varnothing$  57 mm.



Ref.-No.	Description / Application	m <sup>2</sup>	kg
29-802-48 .....	Articulated foot plate (prop diam. up to 57 mm) .....	2.30	

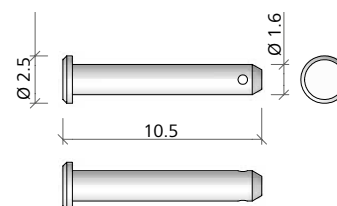


## Head bolt 16/90

Galvanized. Is used to attach push-pull props and braces to foot plates and formwork-prop connectors.

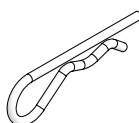


Ref.-No.	Description / Application	m <sup>2</sup>	kg
42-413-50 .....	Head bolt 16/90, galv.....	0.17	

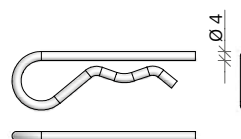


## Cotter pin 4

Galvanized. Locks the head bolt.



Ref.-No.	Description / Application	m <sup>2</sup>	kg
62-010-04 .....	Cotter pin 4.....	0.02	



## Linchpin 4.5

Not shown. Galvanized. Locks the head bolt.

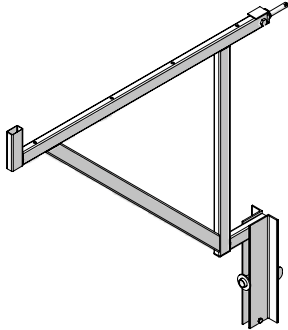
Ref.-No.	Description / Application	m <sup>2</sup>	kg
62-010-03 .....	Linchpin 4.5 .....	0.01	

Wall formwork

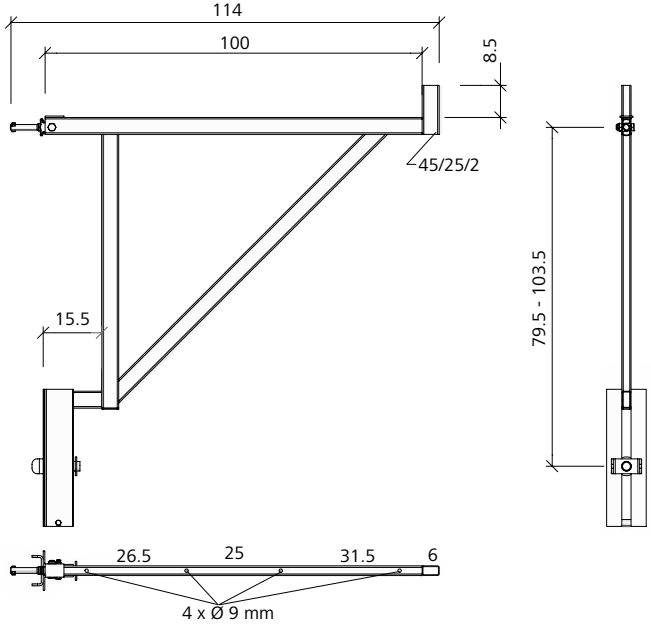
Mammut XT

Walkway bracket

Galvanized, yellow, pluggable. Is used as working and safety scaffold. Is attached to the multi-function profile and secured to the multi-function profile below with a flange screw 18. The planking can be mounted to the brackets. Working width approx. 90 cm. MEVA Guardrailing post is also required. Bracket spacing depends on type of planking (DIN 4420).

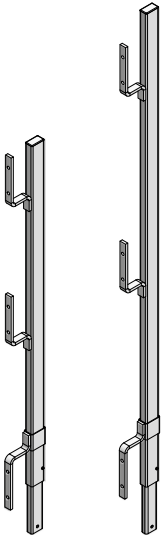


Ref.-No.	Description / Application	m <sup>2</sup>	kg
29-106-00	..... Walkway bracket 90 (yellow), galv.....		10.30

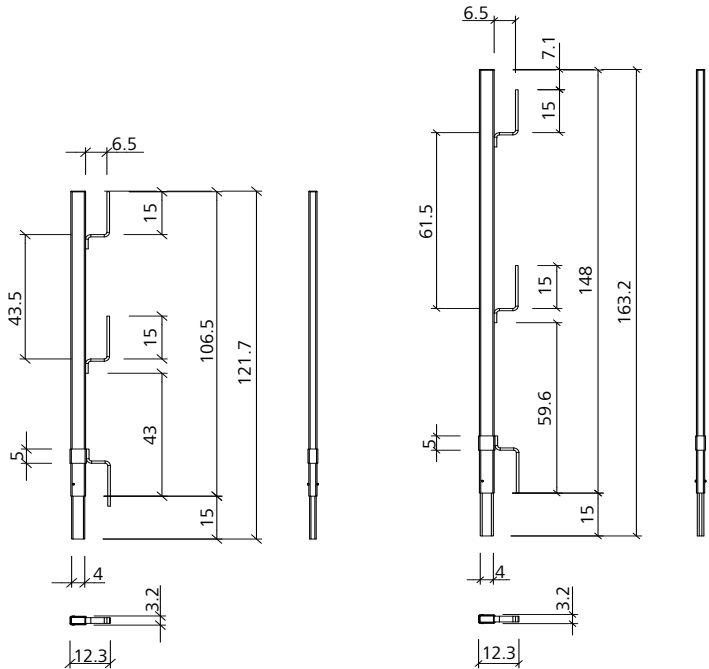


Guardrailing post

Galvanized. Is plugged into the walkway bracket.



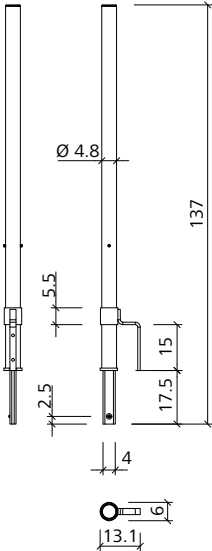
Ref.-No.	Description / Application	m <sup>2</sup>	kg
29-106-75	..... Guard-railing post 100 .....		3.70
29-106-85	..... Guard-railing post 140 .....		4.70



Wall formwork

**Guardrailing post 48**

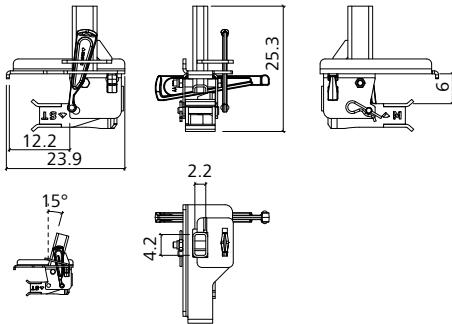
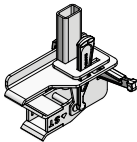
Galvanized. With manifold to be plugged into the walkway bracket and with 48 mm Ø tube to attach scaffold couplers.



Ref.-No.	Description / Application	m <sup>2</sup>	kg
29-106-80	Guard-railing post 48/120 (UK)		5.50

**Tilting bracket 40/60**

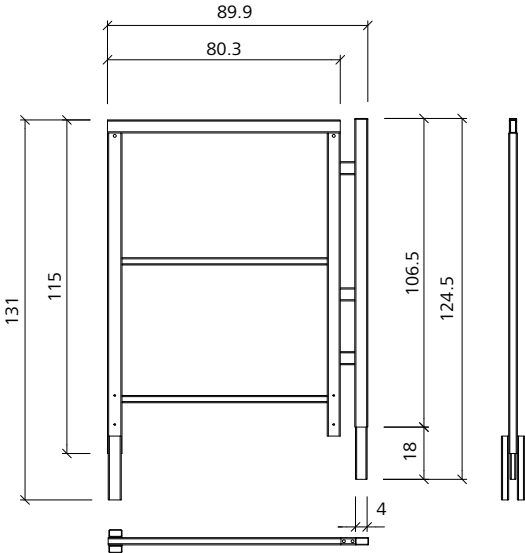
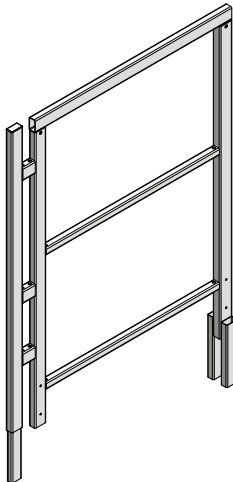
Galvanized. Used to attach MEVA guardrailing posts to create a fall protection system. It can be set up vertically to facilitate the installation of safety meshes or railing boards or inclined by 15° to create a larger working area. Secured with a wedge to the frame profile of 40 and 60 mm.



Ref.-No.	Description / Application	m <sup>2</sup>	kg
29-920-82	Tilting bracket 40/60		4.90

**Side railing**

Galvanized. Is plugged into the walkway bracket.

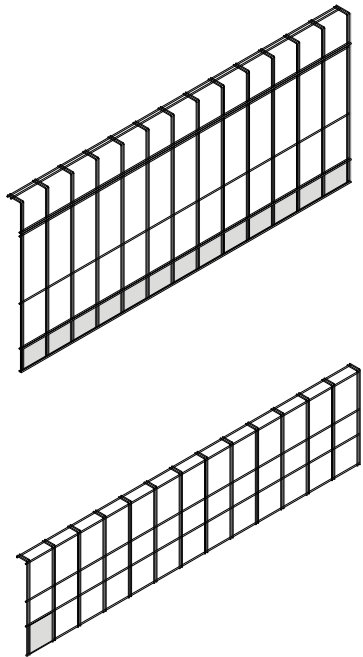


Ref.-No.	Description / Application	m <sup>2</sup>	kg
29-108-20	Side railing 90/100, galv.		12.30

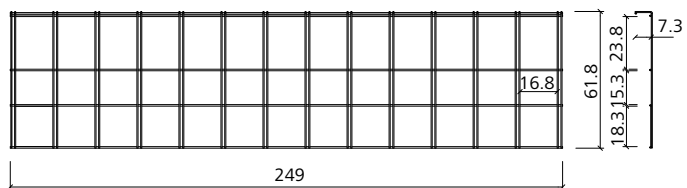
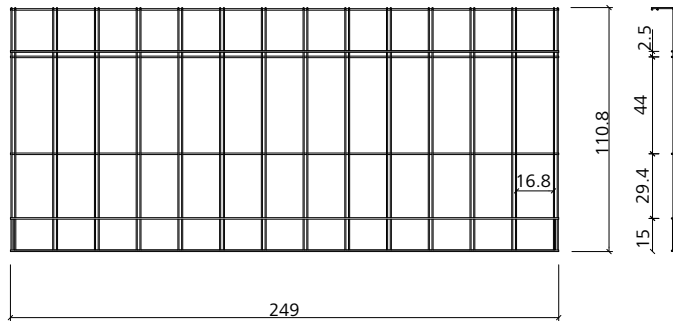


## Safety mesh

Painted steel. Robust steel mesh with reinforced edges and closed steel sheet to prevent small items from falling down. The mesh replaces railings, toe board and net in one single part. DIN EN 13374 Class A.

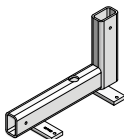


Ref.-No.	Description / Application	m <sup>2</sup>	kg
29-920-00	..... Safety mesh 1100/2490	15.00	
29-920-05	..... Safety mesh 600/2490	9.80	

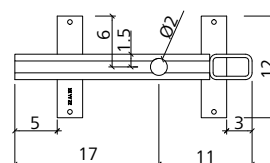
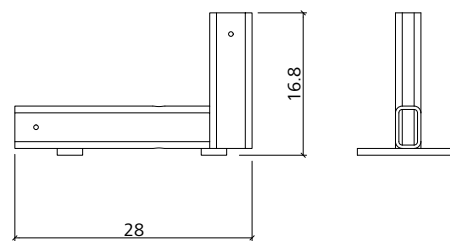


## Universal shoe MFS

Galvanised; forms a fall protection device in conjunction with the MEVA guardrailing post and the safety mesh MFS. Can be used to provide lateral protection on horizontal and vertical components.



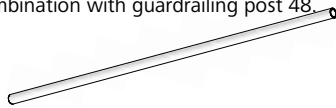
Ref.-No.	Description / Application	m <sup>2</sup>	kg
29-921-72	..... Universal shoe MFS	2.10	



# Wall formwork

## Scaffold tube

Galvanized. Is used as hand-rail / mid-rail in combination with guardrailing post 48.



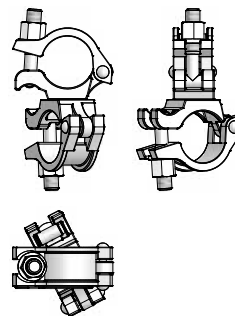
Ref.-No.	Description / Application	m <sup>2</sup>	kg
29-412-23	Scaffold tube 48/200		9.40
29-412-26	Scaffold tube 48/300		14.10
29-412-27	Scaffold tube 48/400		18.80

## Swivel-joint coupler 48/48

Galvanized. Connects 2 scaffold tubes with Ø 48.3 mm at any angle required.

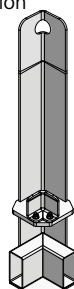


Ref.-No.	Description / Application	m <sup>2</sup>	kg
29-412-52	Swivel-joint coupler 48/48		1.20

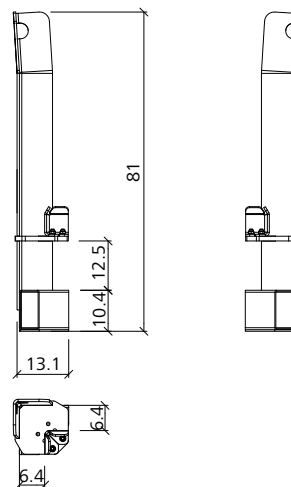


## Stacking angle 60/40/23

Steel, galvanized. Used to stack and transport two to five wall formwork panels of the same size with frame profile widths of 60 mm, 40 mm or 23 mm. Four stacking angles 60/40/23 are required for each panel stack. The permissible load capacity per stacking angle is 15 kN (1.5 t). Refer to the stacking angle Operating Instructions for application and safety test.

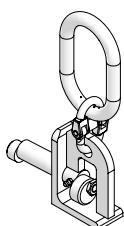


Ref.-No.	Description / Application	m <sup>2</sup>	kg
29-305-45	Stacking angle 60/40/23		9.60

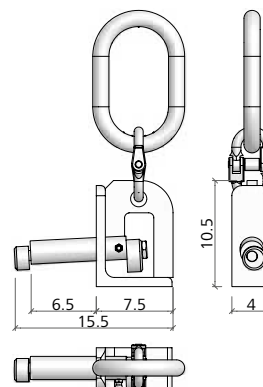


## Lifting hook 60

Galvanized. Allows any 4-rope crane slings available on site to be used to move panel stacks. Always use 4 hooks at a time. Max. load capacity 10 kN (1 ton) per lifting hook. Max. weight of a panel stack 2 tons. Refer to the lifting hook Operating Instructions for application and safety test.



Ref.-No.	Description / Application	m <sup>2</sup>	kg
29-401-40	Lifting hook 60		1.70



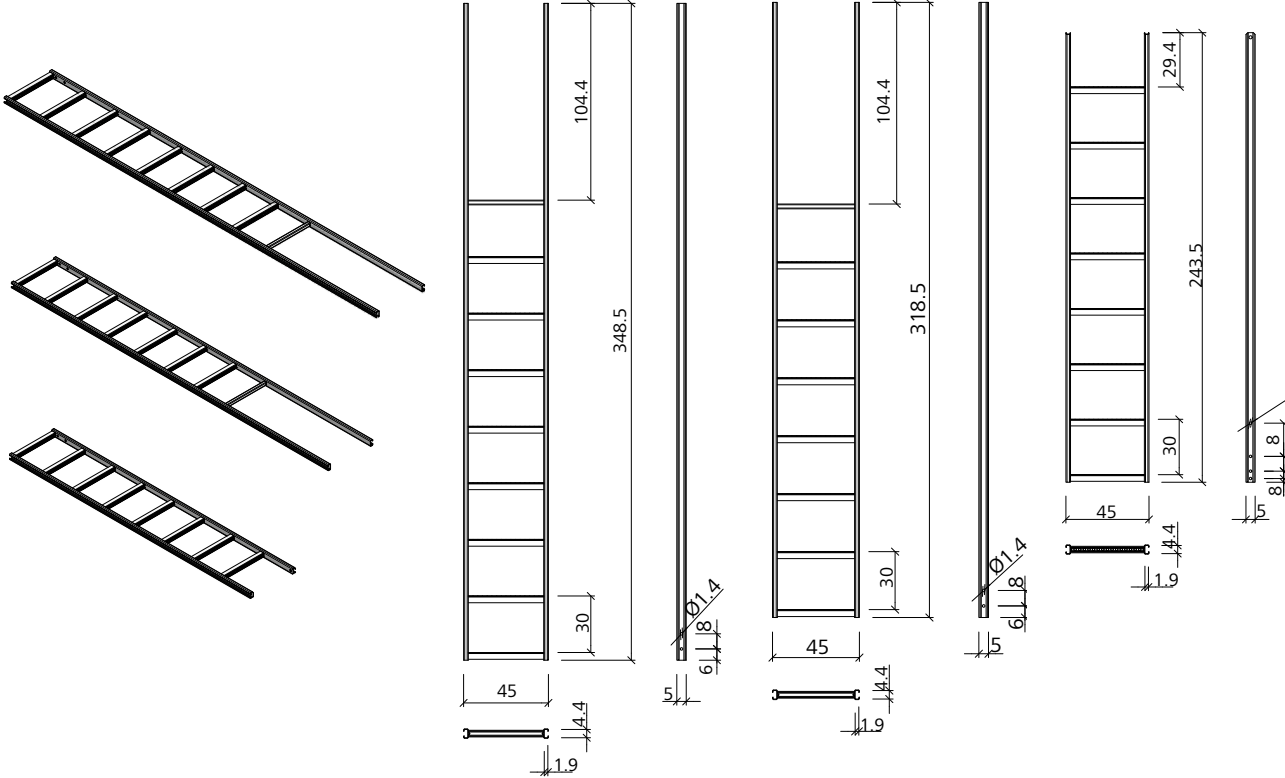
Wall formwork

Mammut XT

Ladder

Galvanized. Can be extended with extension ladders. Safety cages are required for operational safety.

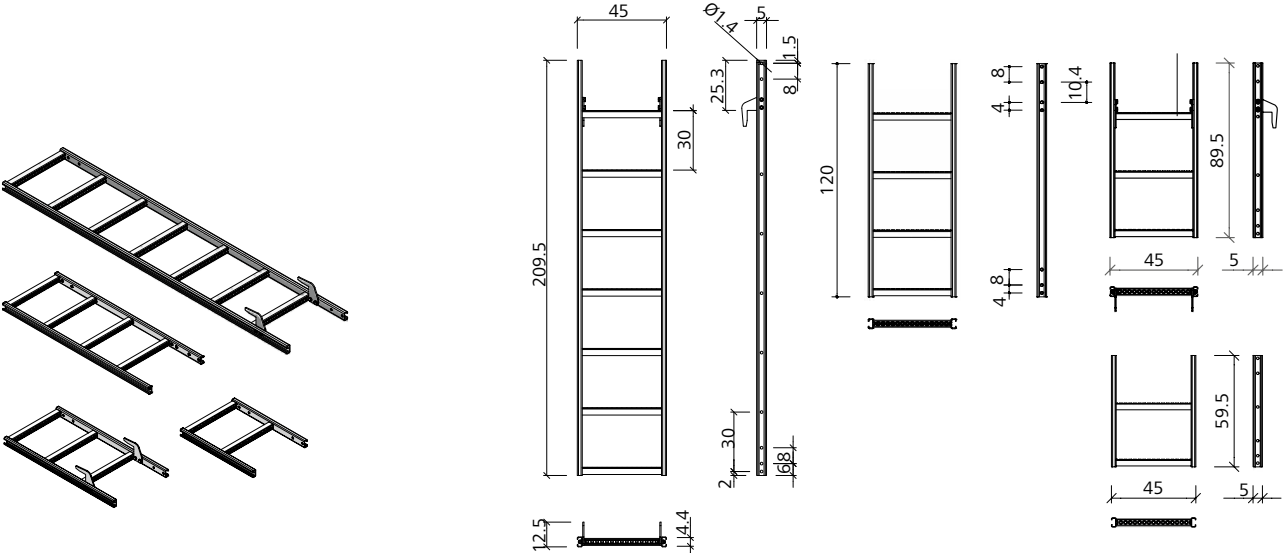
Ref.-No.	Description / Application	m <sup>2</sup>	kg
29-414-50	Ladder 348		23.20
29-414-55	Ladder 318		21.10
29-416-50	Ladder 243		17.20



Extension ladder

Galvanized. Depending on the required height, the extension ladder is either hooked into the steps of the ladder or bolted to the ladder with the ladder connector.

Ref.-No.	Description / Application	m <sup>2</sup>	kg
29-416-52	Extension ladder 270		19.20
29-414-60	Extension ladder 210		15.80
29-416-55	Extension ladder 120		8.50
29-416-60	Extension ladder 90		7.40
29-416-62	Extension ladder 60		4.40

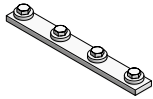


# Wall formwork

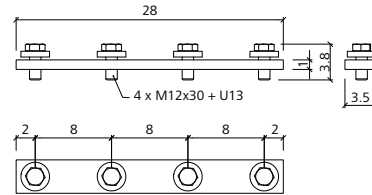
# Mammut XT

## Ladder connector

Galvanized. Connects the joint of two extension ladders without the need to hook one ladder into a step of the other.

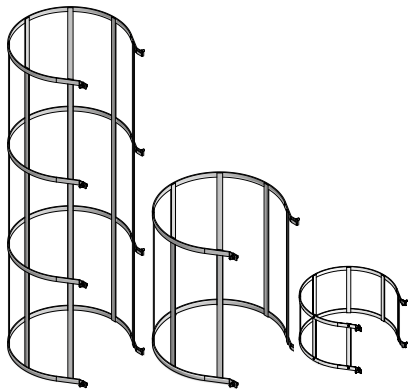


Ref.-No.	Description / Application	m <sup>2</sup>	kg
29-414-70	Ladder connector		1.03

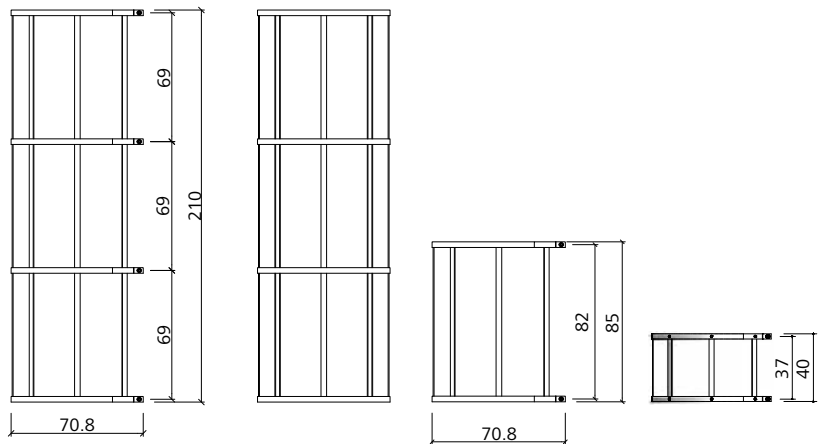


## Safety cage

Galvanized. Internal Ø 70 cm. Protects workers when ascending and descending the ladder. The safety cages are attached to the (extension) ladders with the integrated hammerhead screws.

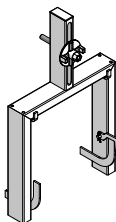


Ref.-No.	Description / Application	m <sup>2</sup>	kg
29-414-85	Safety cage 210		27.60
29-414-90	Safety cage 85		12.10
29-416-90	Safety cage 40		8.20

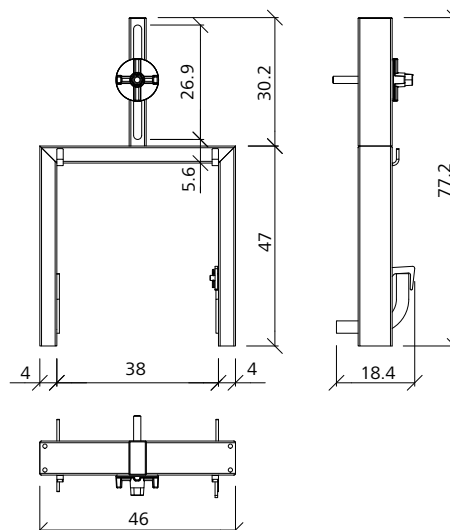


## Ladder fixture, upper wall formwork

Galvanized. Attached to the multi-function profile at the top of the horizontal or vertical panel to hold the ladder or extension ladder.

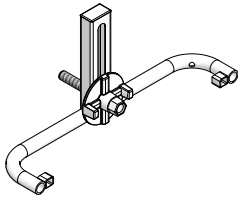


Ref.-No.	Description / Application	m <sup>2</sup>	kg
29-416-82	Ladder fixture, upper wall formwork - top		7.90

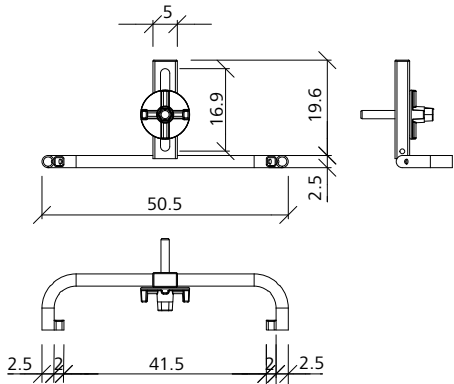


**Ladder fixture, lower wall formwork**

Galvanized. Attached to the multi-function profile at the bottom of the horizontal or vertical panel to hold the ladder or extension ladder.

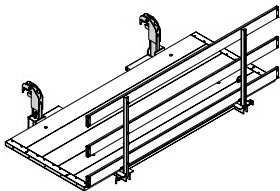


Ref.-No.	Description / Application	m <sup>2</sup>	kg
29-416-84	Ladder fixture, lower wall formwork - bottom		2.40

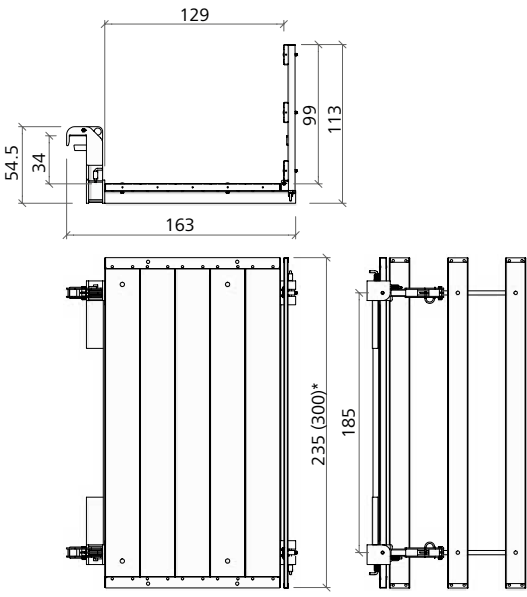


**Folding access platform BKB 125**

Self-locking; ready-made platform with a foldable guard-railing and an overall width of 125 cm; it is suspended onto the frame profile of the panels. The 48 mm thick planking is protected at the front ends. Stacking height 17cm; load capacity 2 kN/m<sup>2</sup>.

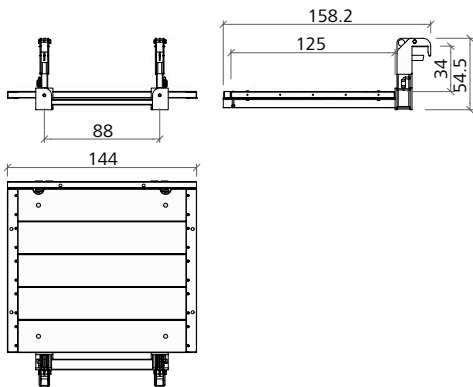
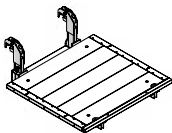


Ref.-No.	Description / Application	m <sup>2</sup>	kg
29-417-10	Folding access platform BKB 125/235	196.00	
29-417-20	Folding access platform BKB 125/300	216.00	
29-417-00	Folding access platform BKB 125/140	114.00	
29-417-30	Side railing BKB 125	16.30	

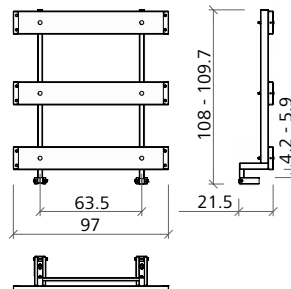
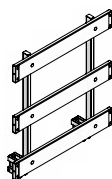


(...)\* = 29-417-20

**Folding access platform BKB 125**



**Side railing BKB 125**





**MEVA Schalungs-Systeme GmbH**

Industriestrasse 5    Tel. +49 7456 692-01  
72221 Haiterbach    Fax +49 7456 692-66  
Germany            info@meva.net

[www.meva.net](http://www.meva.net)