

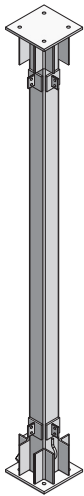
This product list includes all parts necessary for most applications. For parts required for special applications, please refer to the MEVA price list. Dimensions are in centimetres (cm) unless another measure is shown.

Contents

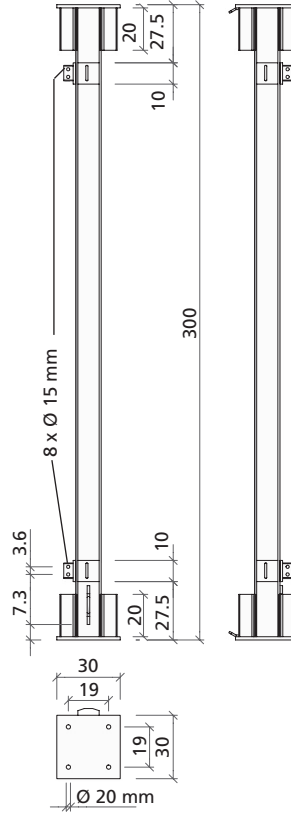
Guard-railing post	18
MD beams 560	19
MD safety claw	20
SP connector for push-pull props	19
SP diagonal brace	17
SP extension	17
SP frame	16
SP guard-railing post adapter	18
SP prop 300	16

SP prop 300

Coated. A tower unit (4.80 x 4.80 m) consists of 4 props (height 3.00 m) and 4 frames. Height extensions always require 4 bolts M16x60, washers M16 and locking nuts M16.

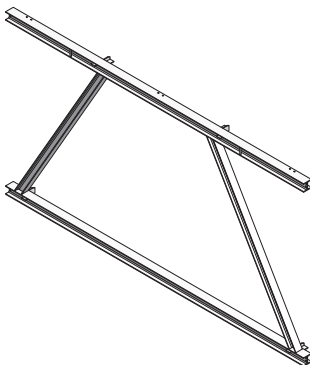


Ref.-No.	Description / Application	m ²	kg
29-911-45 SP-prop 300.....		102.0

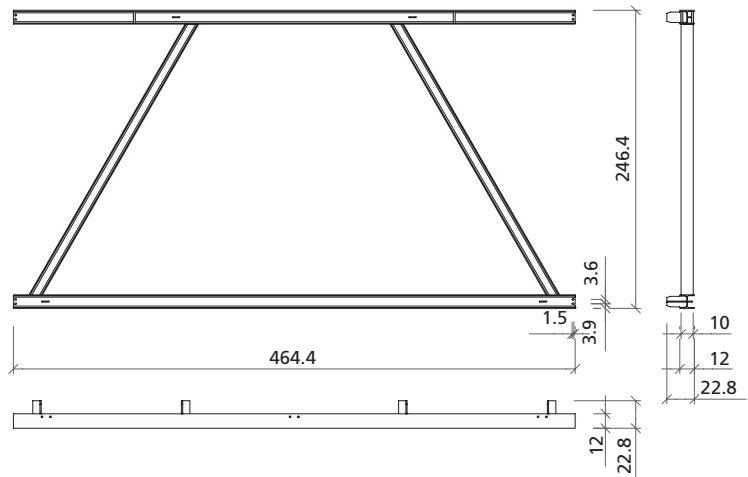


SP frame

Coated. Height 2.46 m, length 4.64 m. SP frames serve to brace SP props. Four frames are required per tower unit. They are attached to the props with bolts M12x35, washers M12 and locking nuts M12, which must be ordered separately.

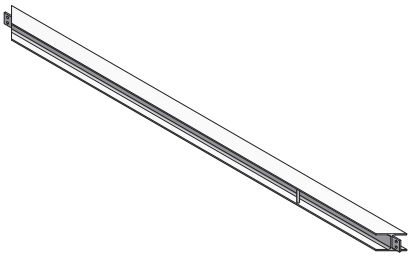


Ref.-No.	Description / Application	m ²	kg
29-911-40 SP-frame.....		283.0

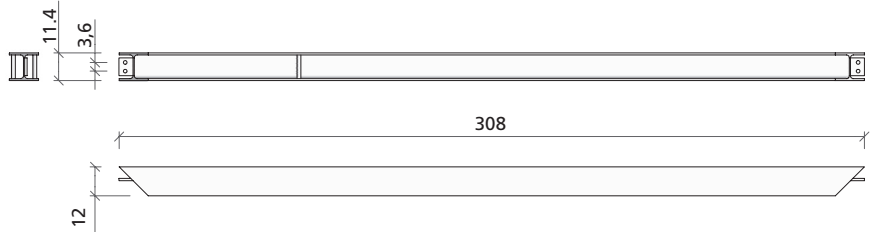


SP diagonal brace

Coated. Four diagonal braces are required for the horizontal bracing of a tower unit. Is attached to SP frames by using bolts M12x40, washers M12 and locking nuts M12, which must be ordered separately.

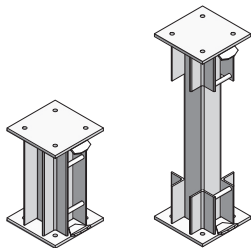


Ref.-No.	Description / Application	m ²	kg
29-911-50 SP-diagonal brace		64.0

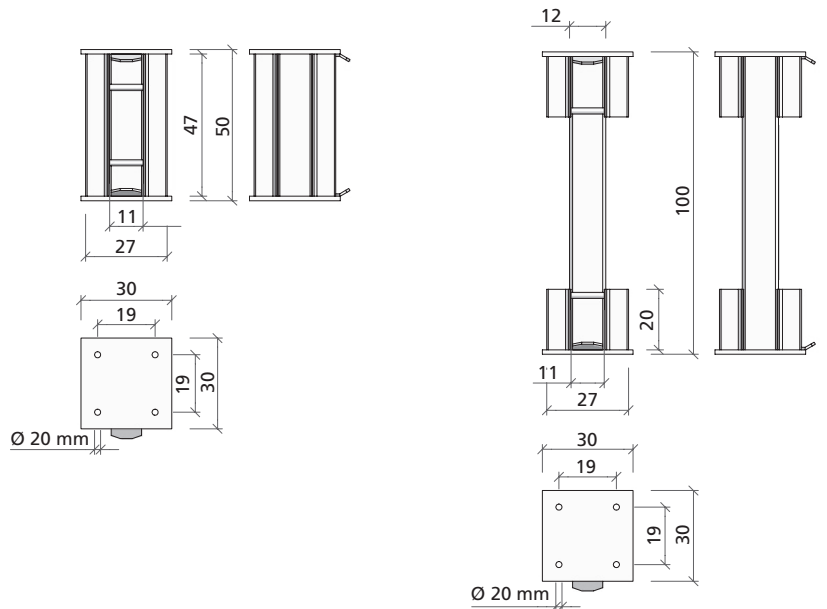


SP extension

Coated. Extends the tower units or is used to height-adjust them. Is attached to an SP prop with always 4 bolts M16x60, washers M16 and locking nuts M16, which have to be ordered separately.

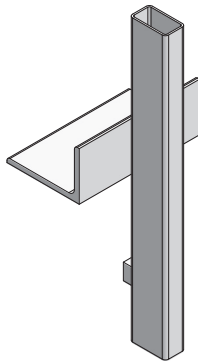


Ref.-No.	Description / Application	m ²	kg
29-911-55 SP-extension 100		57.0
29-911-60 SP-extension 50		50.0

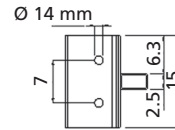
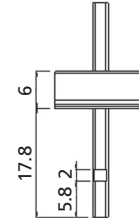
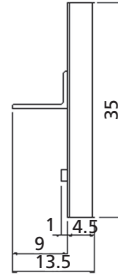


SP guard-railing post adapter

Galvanized. Is used to attach a guard-railing post and attached to SP frames by using bolts M12x35, washers M12 and locking nuts M12. Guard-railing posts 100 or 140 are also required.

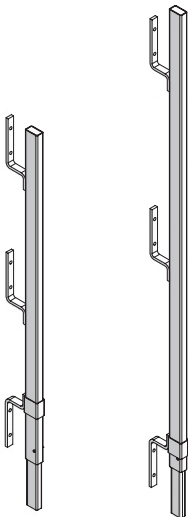


Ref.-No.	Description / Application	m ²	kg
29-911-70 SP-guard-railing post adapter		2.0

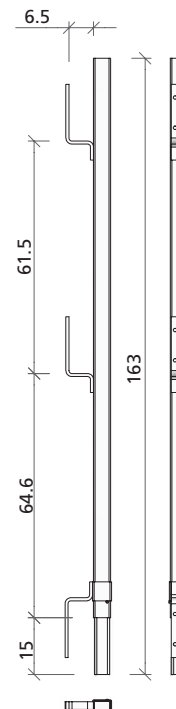
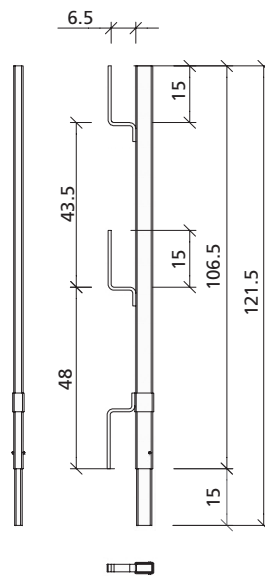


Guard-railing post

Galvanized. Is attached to the SP guard-railing post adapter.

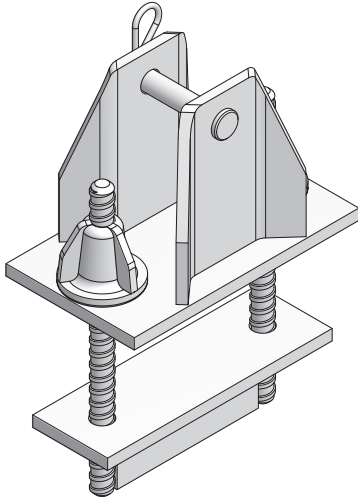


Ref.-No.	Description / Application	m ²	kg
29-106-75 Guard-railing post 100, galv.		3.7
29-106-85 Guard-railing post 140, galv.		4.7

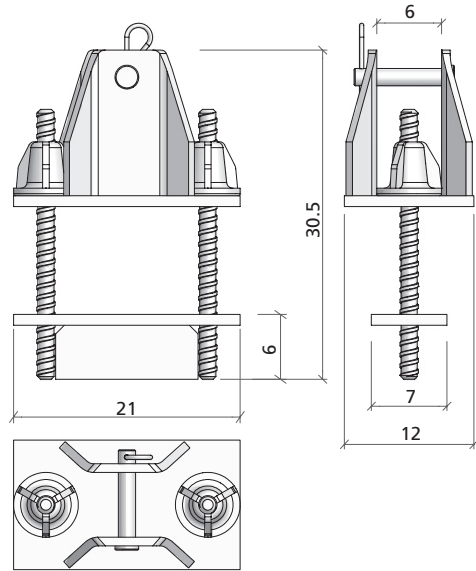


SP connector for push-pull props

Galvanized. Is used to connect push-pull props or Triplex braces. Braces the formwork against the shoring tower or the shoring tower itself.



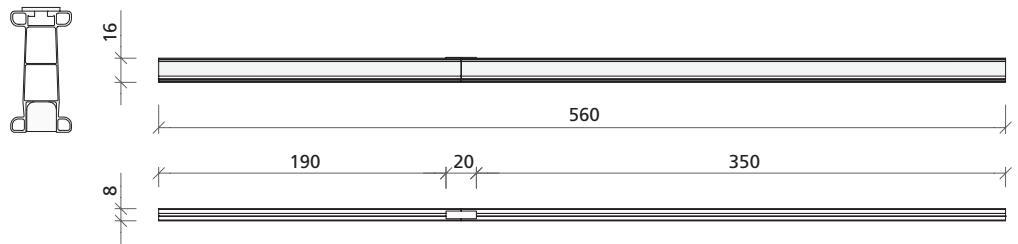
Ref.-No.	Description / Application	m ²	kg
29-911-75 SP-connector for push-pull props	5.8	



MD beams 560

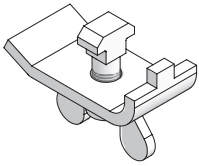
Are placed onto the SP diagonal brames and SP frames and attached on both sides with an MD safety claw.

Ref.-No.	Description / Application	m ²	kg
29-911-65 MD-beam 560	26.0	

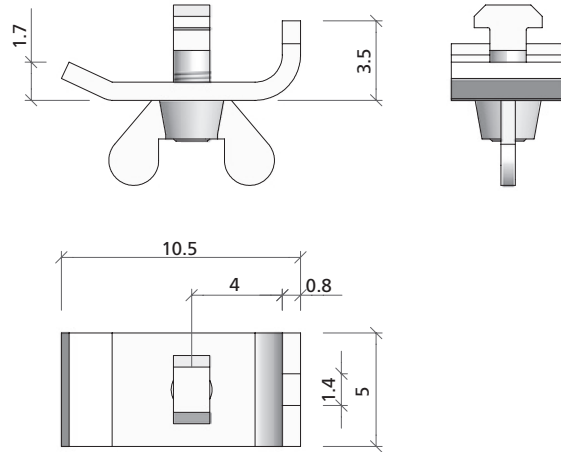


MD safety claw

Galvanized. Clamps planks to the bottom of MD primary beams. When using MEP props, the safety claw can be used to attach a tripod to the aluminium profile.



Ref.-No.	Description / Application	m ²	kg
29-302-10	MD-safety claw	0.5	



Fastening

Ref.-No.	Description / Application	m ²	kg
63-120-60	Hexagonal screw M12x35, galv., DIN 933		
63-120-57	Hexagonal screw M12x40, galv., DIN 933		
63-130-10	Hexagonal locking nut M12, galv., DIN 985		
62-030-41	Washer M12, (for MEP), galv., DIN 125		
63-120-46	Hexagonal screw M16x60, galv., DIN 931		
63-125-50	Hexagonal nut M 16, galv., DIN 934		
62-030-48	Washer M16, galv., DIN 7349-25		

Notes

Grid of dots for notes



Headquarters (Germany)

MEVA Schalungs-Systeme GmbH
Industriestraße 5
D-72221 Haitebach
Tel. +49 7456 692-01
Fax +49 7456 692-66
info@meva.de
www.meva.de

Logistic Centers

A-Pfaffstätten, Tel. +43 2252 20900-0
D-Berlin, Tel. +49 3375 9030-0
D-Haitebach, Tel. +49 7456 692-01
D-Hannover, Tel. +49 511 94993-0
H-Budapest, Tel. +36 1 2722222
UAE-Dubai, Tel. +971 4 3411180
USA-Springfield, Tel. +1 937 3280022

International Sales & Service

A-Pfaffstätten, Tel. 02252 20900-0
AUS-Adelaide, Tel. 08 82634377
B-Kruikebe, Tel. 03 250 11 11
CDN-Toronto, Tel. 416 5766397
CH-Seon, Tel. 062 7697100
CO-Bogotá, Tel. 01 5204236
F-Sarreguemines, Tel. 0387 959938
GB-Tamworth, Tel. 01827 60217
H-Budapest, Tel. 01 2722222
HR-Bestovje, Tel 013 323 666
IND-Mumbai, Tel. 022 27563430
LT-Kaunas, Tel. 0684 82795
MAL-Perak, Tel. 12 5209337
N-Oslo, Tel. 067 154200
NL-Gouda, Tel. 0182 570770
PA-Panama City 507 2372222
PL-Bialystok, Tel. 085 6768159
RUS-Moskva, Tel. 495 7813737
SGP-Singapore, Tel. 67354459
SLO-Petrovce, Tel. 03 7131500
UAE-Dubai, Tel. 04 3411180
USA-Springfield, Tel. 937 3280022