

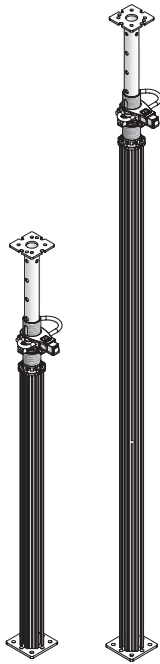
This product list includes all parts necessary for most applications. For parts required for special applications, please refer to the MEVA price list. Dimensions are in centimetres (cm) unless another measure is shown.

Contents

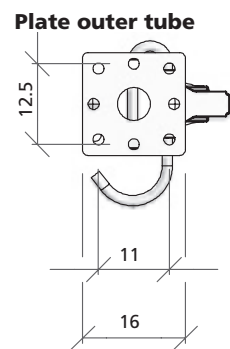
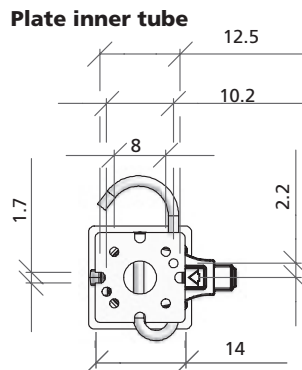
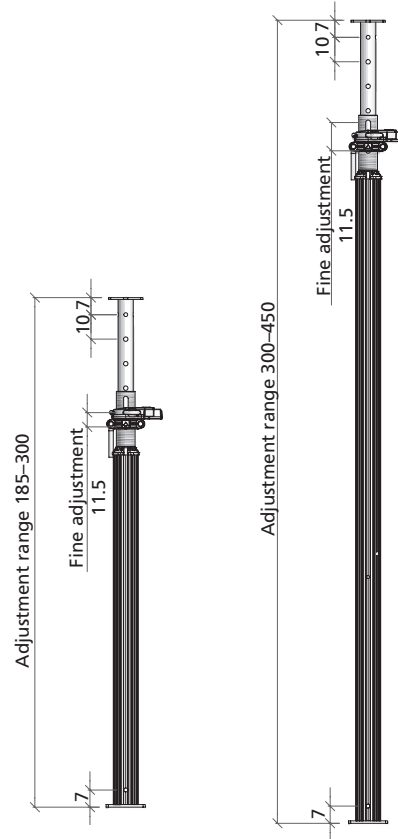
Basic prop 360 MEP-HD	48
Beam clamp MEP.....	49
Calotte support MEP.....	49
Connectors.....	54
Crane hanger MEP	54
Diagonal cross-brace MEP.....	50
Extension pieces MEP.....	46
Flange nut 100.....	53
Folding part MEP.....	49
Forked prop head MEP	50
Lift truck MEP.....	52
MEP connector for push-pull props	51
MEP frames.....	45
MEP ladder for hatchway	55
MEP props with SAS quick-lowering system.....	44
MEP scaffold platforms.....	54
Pin	47
Plug connector MEP.....	46
Prop connector	51
Scaffold platform with access hatch	55
Spindle MEP.....	47
Spindle MEP-HD	48
Transport spreader 250/540.....	53
Transport waler MEP.....	52
Tube coupler DK 48 MEP	50

MEP props with SAS quick-lowering system

Complies with European Standard EN 1065, class E. The MEP prop has a steel inner tube and an aluminium outer tube with T-groove to attach reinforcing frames. The SAS quick lowering system allows the stress in the prop to be released with one strike of a hammer. After stripping the prop automatically resets and locks in the original position. The admissible load capacity is as follows when used as a single prop: MEP 300 with SAS – 40 kN at all extensions; MEP 450 with SAS – 20 kN independent from the assembly position (or 30 kN if assembled with the inner tube downwards). Higher load capacities are permitted when used with MEVA formwork (see the MevaDec Technical Instruction Manual).



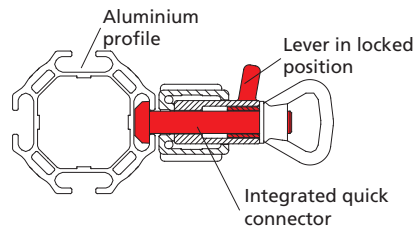
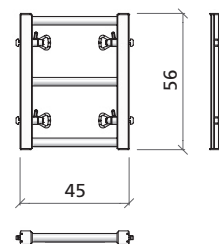
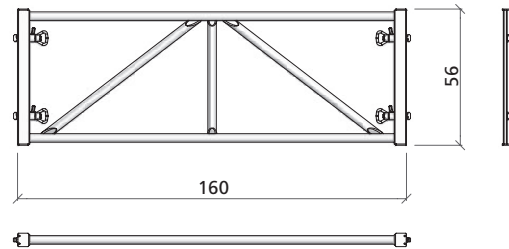
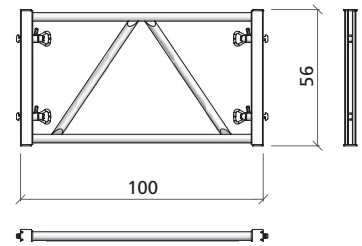
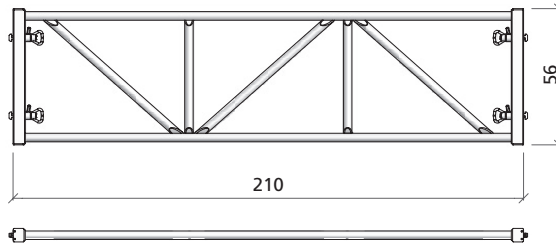
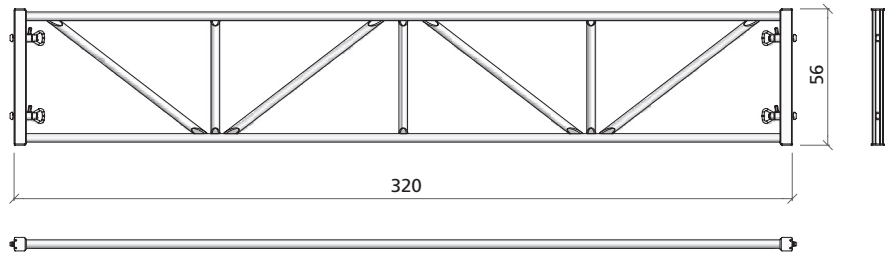
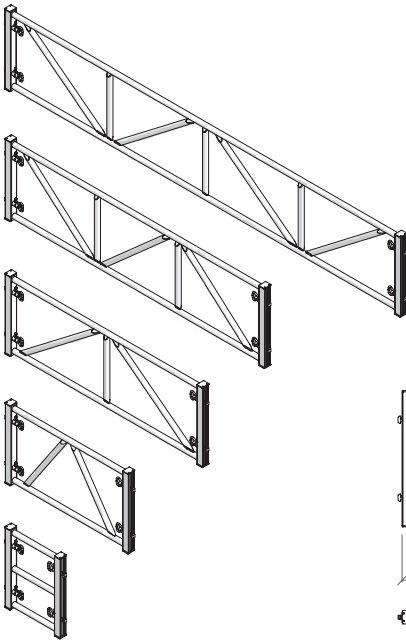
Ref. No.	Description / Application	m ²	kg
29-907-70	MEP-prop 450 with SAS..(300-450)		34.4
29-907-65	MEP-prop 300 with SAS .(185-300)		24.4



MEP frames

Aluminium. Reinforcing frame that is required when building towers with MEP props. The frames are attached to the aluminium outer tube of the MEP props or extension pieces using the integrated quick connector.

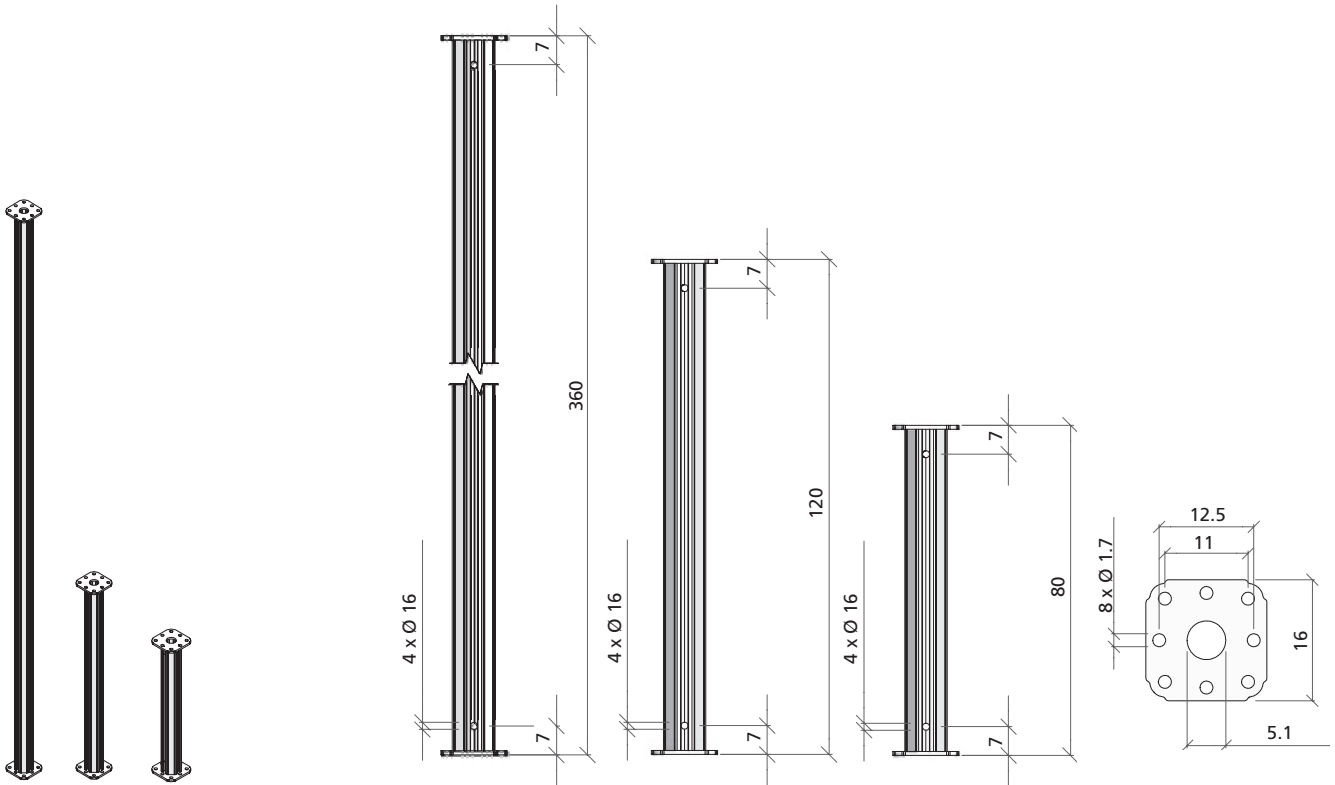
Ref. No.	Description / Application	m ²	kg
29-909-30	MEP-frame 330		15.7
29-909-25	MEP-frame 220		11.9
29-909-20	MEP-frame 170		9.9
29-909-15	MEP-frame 110		7.8
29-909-10	MEP-frame 55		6.4



Extension pieces MEP

Aluminium profile (same as outer tube of MEP prop) with 2 foot plates. Is used to extend shoring towers. A plug connector MEP and 2 pins 14/135 are required.

Ref. No.	Description / Application	m ²	kg
29-907-95 Extension piece 360 MEP		20.0
29-907-90 Extension piece 120 MEP		7.5
29-907-85 Extension piece 80 MEP		5.4



Plug connector MEP

Galvanized. Is used to connect MEP props and extensions. Together with 2 pins 14/135 the plug connectors provide a rigid connection.

Ref. No.	Description / Application	m ²	kg
29-909-85 Plug connector MEP		1.8

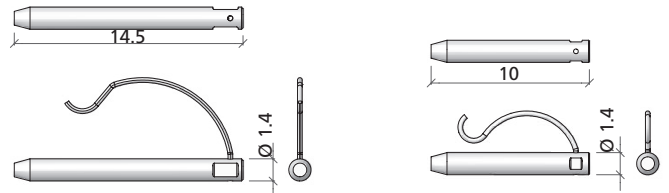


Pin

Galvanized. Is used to safely lock the plug connectors MEP at the profile of the MEP props and extension pieces, forked prop heads, MD drop heads etc. Pin 14/90 is used for the steel inner tube (with max. 63 mm Ø), pin 14/135 for the aluminium profile of the MEP props and extension pieces.

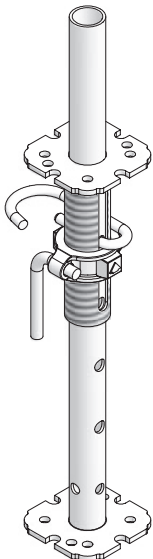


Ref. No.	Description / Application	m ²	kg
29-909-90 Pin 14/135, (for MEP).....	0.2	
29-909-94 Pin 14/90.....	0.1	

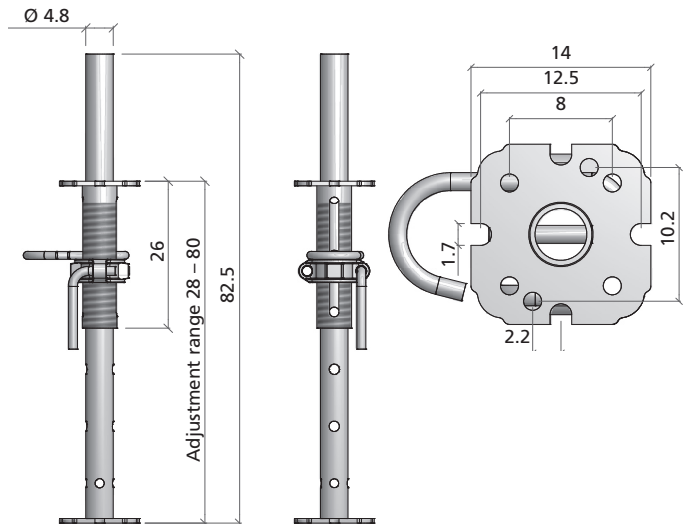


Spindle MEP

Galvanized steel spindle. Coarse adjustment with the G-hook, precise adjustment with the robust adjusting nut on the outside thread. The spindle can be bolted to the outer tubes of all MEP props and extension pieces by using four M16x40 screws and 4 nuts (screws must be ordered separately). The adjustment range is as follows: 28 to 80 cm, 68 to 120 cm with MD drop head, 36 to 81 cm with forked drop head plus the height of the selected stringer, 37.5 to 82.5 cm with calotte support MEP.



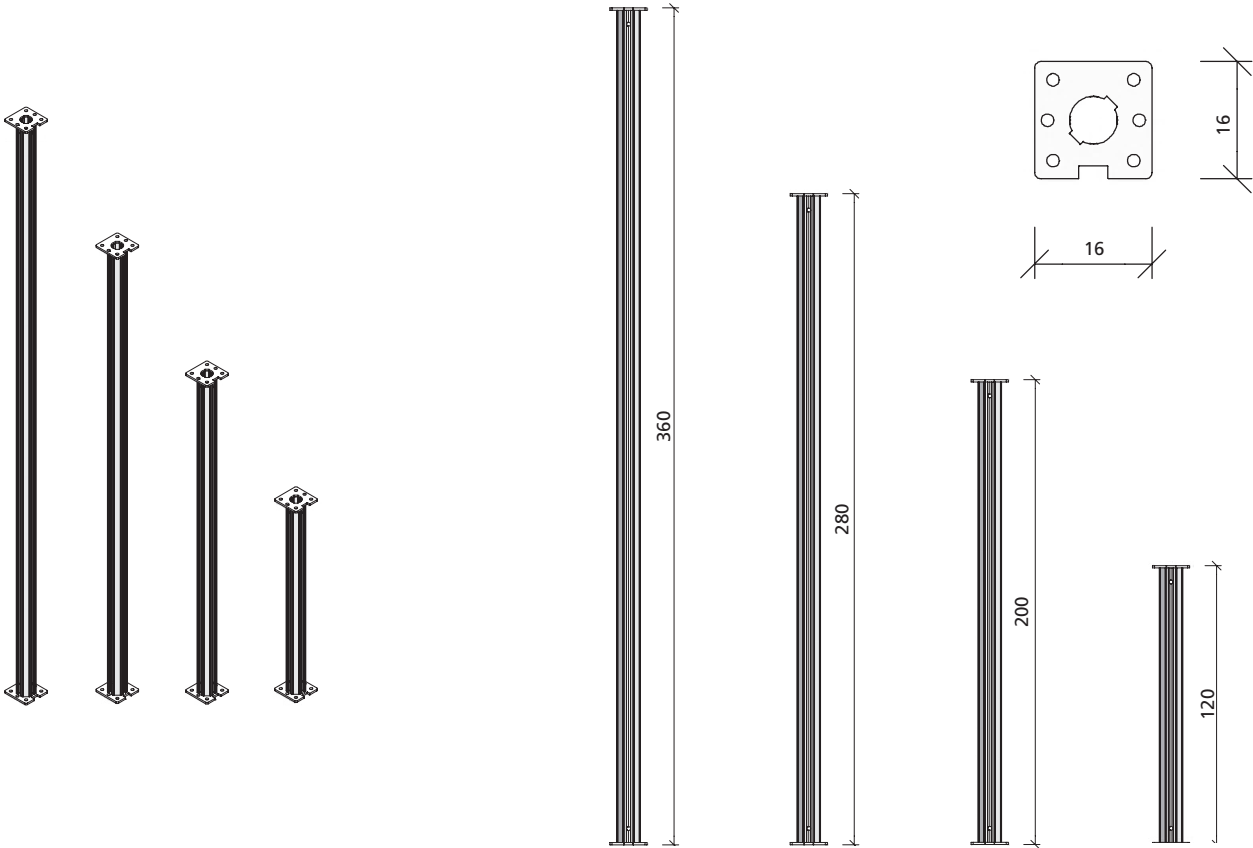
Ref. No.	Description / Application	m ²	kg
29-909-70 Spindle MEP.....	8.0	



Basic prop 360 MEP-HD

Aluminum profile, coated, red. Is used with spindle MDP-HD as a single prop. Can be used with MEP frames to build shoring towers.

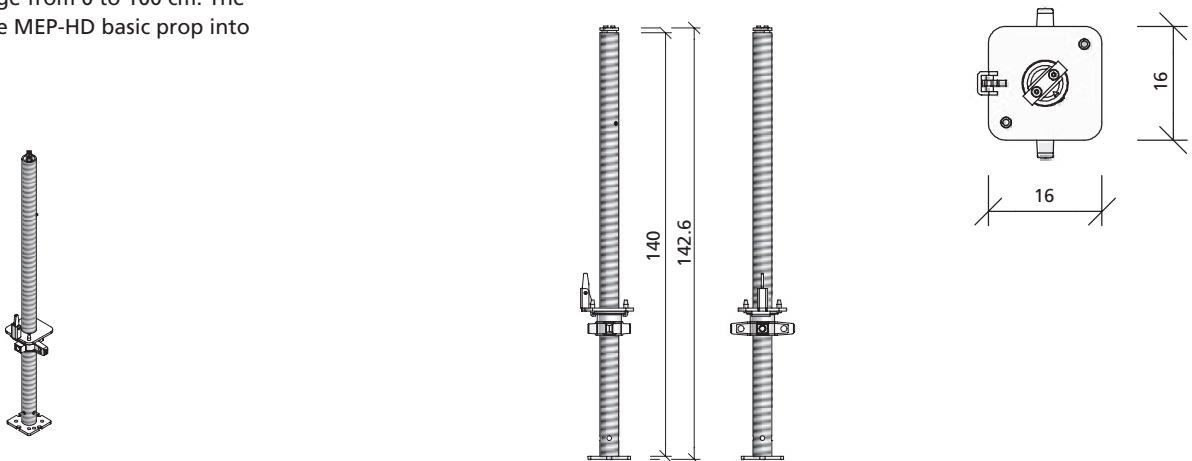
Ref. No.	Description / Application	m ²	kg
29-906-45	Basic prop 360 MEP-HD	20.3	
29-906-55	Basic prop 280 MEP-HD	16.0	
29-906-65	Basic prop 200 MEP-HD	11.7	
29-906-75	Basic prop 120 MEP-HD	7.4	



Spindle MEP-HD

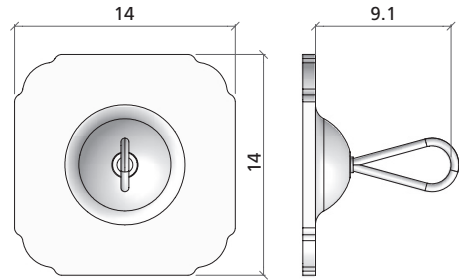
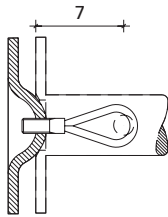
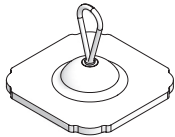
Galvanized. Is attached to the MEP-HD basic prop and roughly aligned with its clip. Fine adjustment with lock nut. Adjustment range from 0 to 100 cm. The spindle turns the MEP-HD basic prop into a single prop.

Ref. No.	Description / Application	m ²	kg
29-906-85	Spindle 140 MEP-HD	18.4	



Calotte support MEP

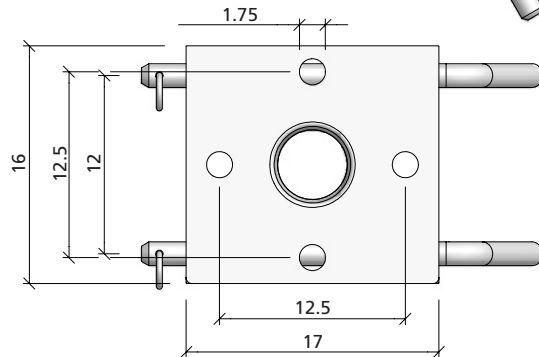
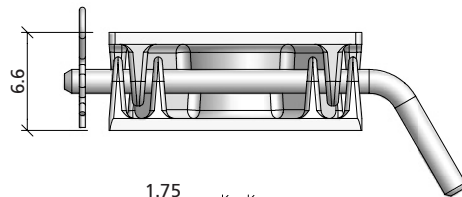
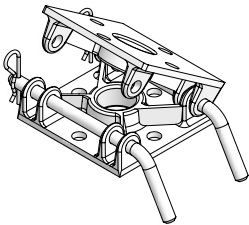
Galvanized. Is used as foot plate for MEP props and extension pieces on sloped surface for perpendicular load transfer. Max. inclination on all sides is 5° or 9 %.



Ref. No.	Description / Application	m ²	kg
29-909-75 Calotte support MEP		1.3

Folding part MEP

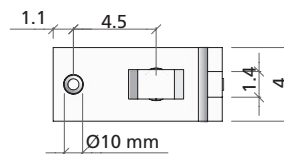
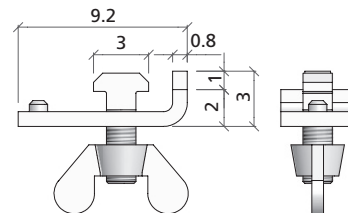
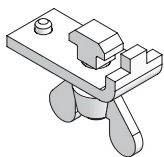
Galvanized. Allows props beneath slab tables to be folded so that with a transport spreader the slab tables including props can be moved out of the building and for example over parapets without detaching and re-attaching the props.



Ref. No.	Description / Application	m ²	kg
29-910-10 Folding part MEP		5.8

Beam clamp MEP

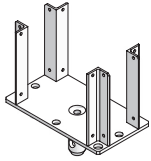
Is used to attach the MD beam to the prop or prop extension.



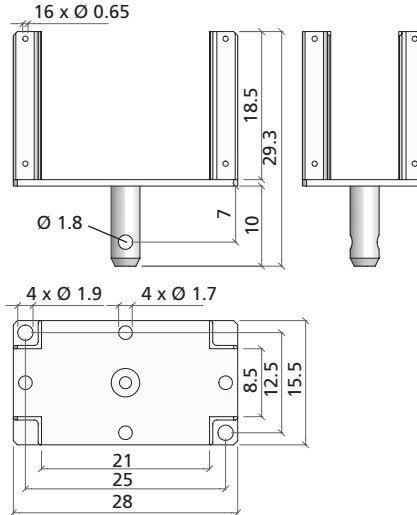
Ref. No.	Description / Application	m ²	kg
29-909-80 Beam clamp MEP		0.5

Forked prop head MEP

Galvanized. With DW thread to clamp stringers to the prop head.
Is safely attached to the inner tube of MEP props with pins 14/90 or to the aluminium outer tube with pins 14/135.



Ref. No.	Description / Application	m ²	kg
29-910-00	Forked prop head MEP		4.7

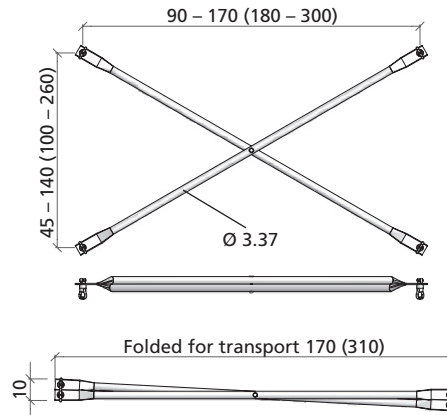


Diagonal cross-brace MEP

Galvanized. Adjustable cross-brace made of steel tubes. Is used for bracing when prop spacing varies. The two figures 170/90 and 300/180 indicate the maximum and minimum prop spacing.



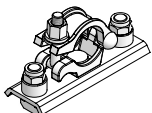
Ref. No.	Description / Application	m ²	kg
29-909-60	Diagonal cross-brace 170/90 MEP		9.3
29-909-55	Diagonal cross-brace 300/180 MEP		15.3



Die Zahlen in Klammer beziehen sich auf das Diagonalkreuz 300/180 MEP

Tube coupler DK 48 MEP

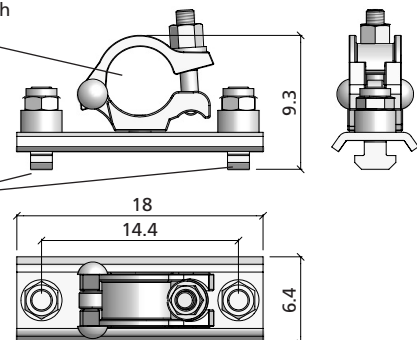
Galvanized. Is used to attach scaffold tubes Ø 48 mm to the aluminium outer tubes of MEP props or extension pieces.



Ref. No.	Description / Application	m ²	kg
29-909-65	Tube coupler DK 48 MEP		1.7

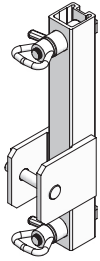
Can be turned by 360°, Ø 48 mm, with lock screw M14 and nut (SW 22 mm)

2 hammer-head screws (DIN 188, M16x50, galv.) with nut (DIN 934, M16 SW 24 mm)

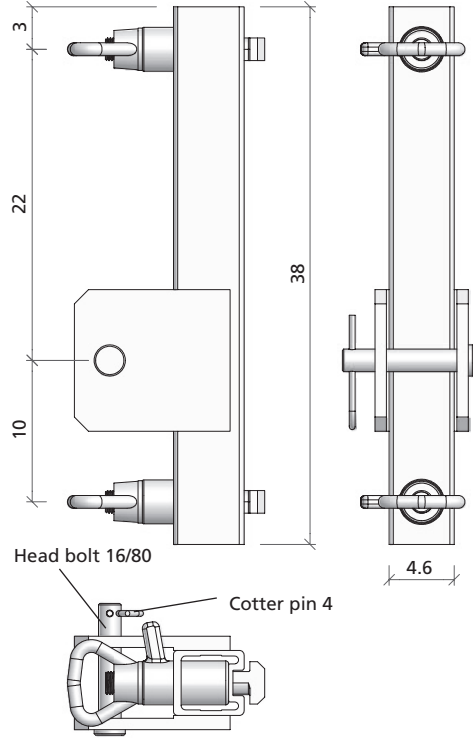


MEP connector for push-pull props

Galvanized. Is used to attach push-pull props to the aluminium outer tube of the MEP props or extension pieces.

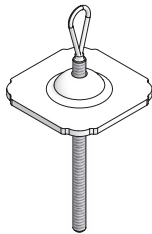


Ref. No.	Description / Application	m ²	kg
29-910-60	MEP-connector for push-pull props	2.6

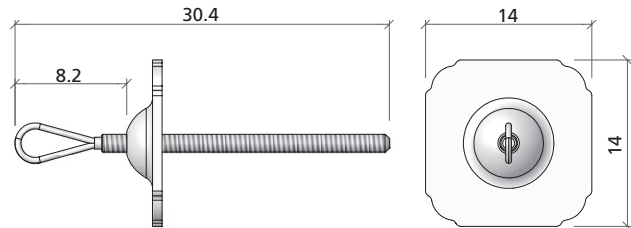


Prop connector

Galvanized. DW thread Ø 15 mm. Is used to attach props for horizontal bracing, e.g. in case of single-sided formwork. Length of thread approx. 20 cm.

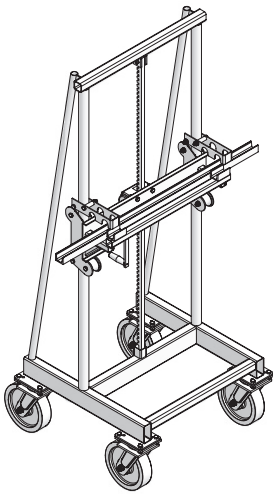


Ref. No.	Description / Application	m ²	kg
29-910-62	Prop connector	1.7

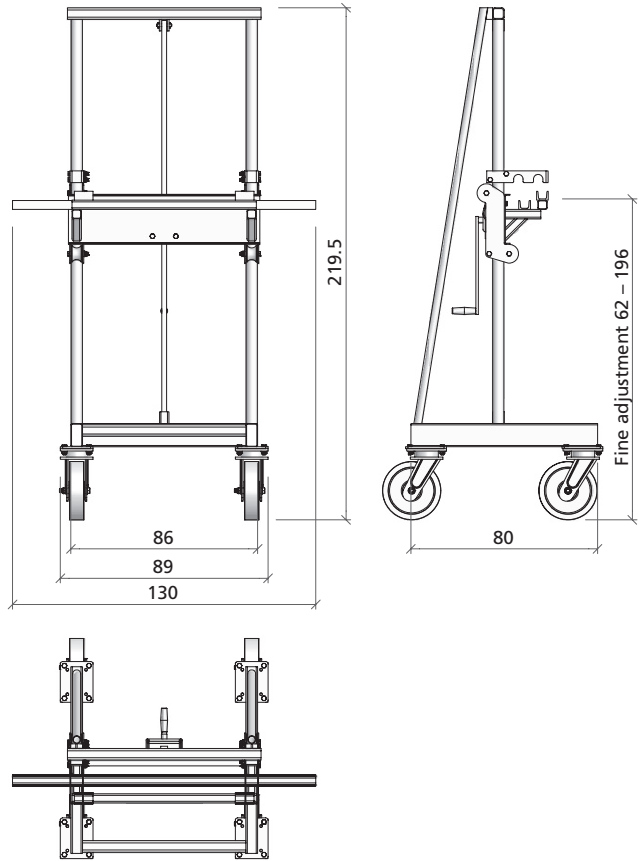


Lift truck MEP

Galvanized. Is used to lift and move shoring towers and slab tables.
 Height 2.12 m; load capacity 500 kg.
 Adjustment range from 62 to 196 cm.
 The lift truck is positioned below the MEP frames. Always 2 lift trucks are required. For use and safety check see the lift truck Operating Instructions.

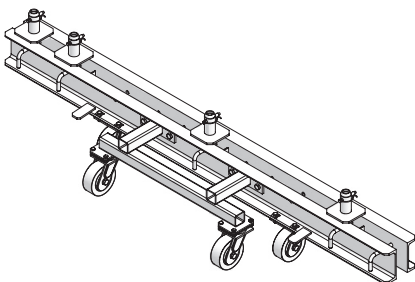


Ref. No.	Description / Application	m ²	kg
29-909-50	Lift truck MEP		130.0

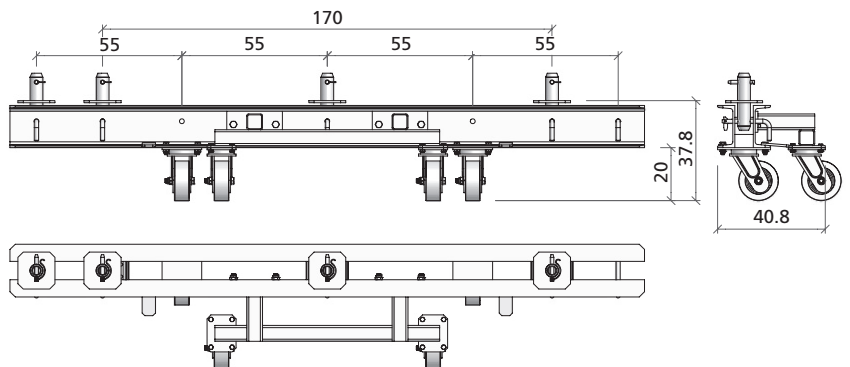


Transport waler MEP

Galvanized. Is used to move large shoring tower units. Length 2.4 m; load capacity 30 kN (3 tons); 4 wheels. The pre-assembled plug connectors can be adjusted to MEP frames 55, 110, 170 and 220. The number of required walers is determined by the size of the shoring tower unit to be moved. For use and safety check see the transport waler Operating Instructions.



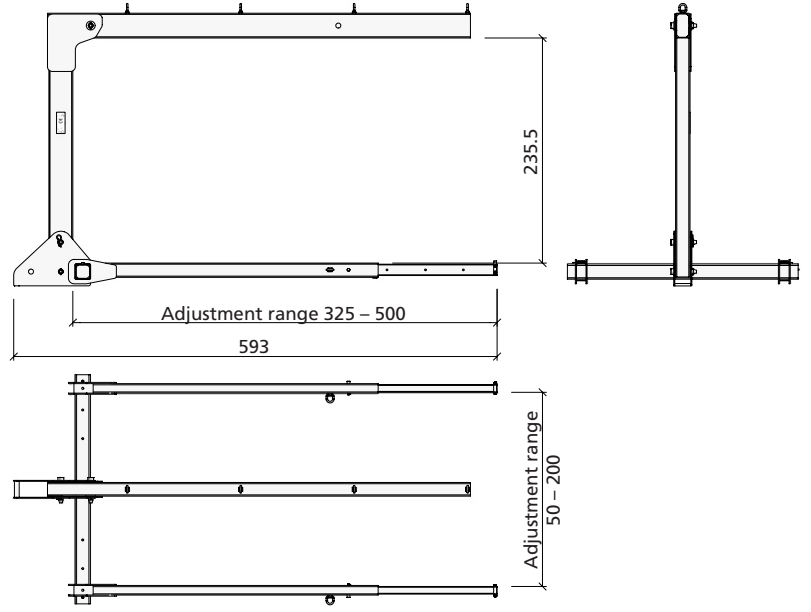
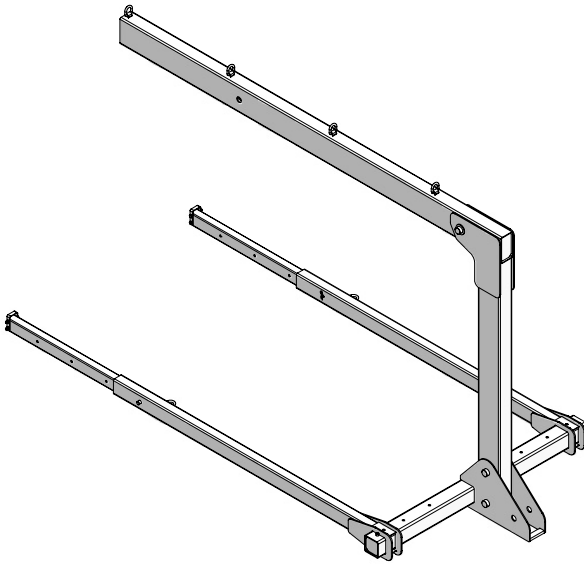
Ref. No.	Description / Application	m ²	kg
29-910-80	Transport waler MEP		150.0



Transport spreader 250/540

Galvanized, foldable. Max. load capacity 10 kN (1 ton). Is used to move slab tables with a crane. Length can be adjusted from 3.25 m to 5.00 m and width from 0.50 m to 2.00 m. For use and safety check see the transport spreader Operating Instructions.

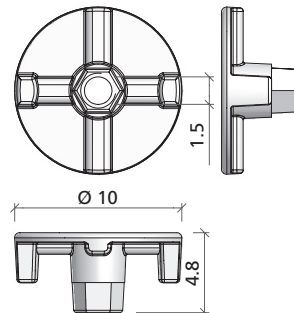
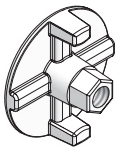
Ref. No.	Description / Application	m ²	kg
29-910-90 Transport spreader 250/540		733.0



Flange nut 100

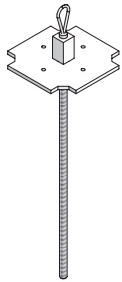
Forged, galvanized. DIN 18216. DW thread Ø 15 mm, plate Ø 100 mm, SW 27. Admissible load capacity 90 kN.

Ref. No.	Description / Application	m ²	kg
29-900-20 Flange nut 100 (SW 27, forged)		0.7

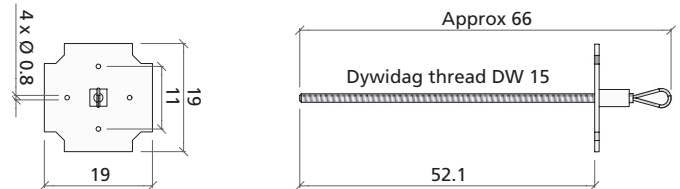


Crane hanger MEP

Galvanized. DW thread \varnothing 15 mm. Is used to move slab tables. Load capacity 10 kN (1 ton). Always 4 crane hangers are required for transport. A flange nut 100 must be ordered separately. Length of thread 52 cm.



Ref. No.	Description / Application	m ²	kg
29-910-05	Crane hanger MEP (load capacity: 10 kN)		3.5



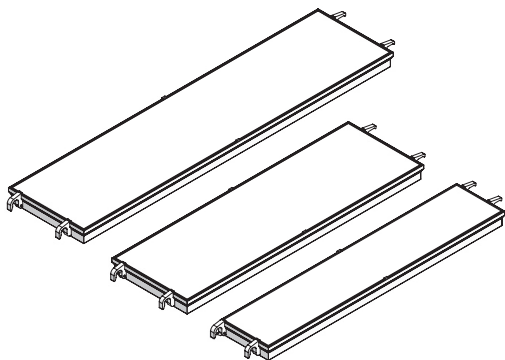
Connectors

Not shown. Is used to attach MD drop heads or MEP spindles to the MEP props or extension pieces.

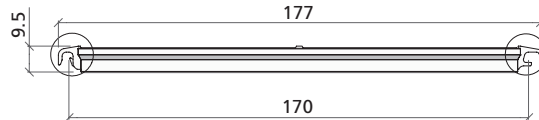
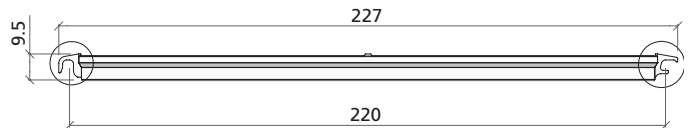
Ref. No.	Description / Application	m ²	kg
63-120-49	Hexagonal screw M16x40, (for MEP), galv., DIN 933		
63-130-00	Hexagonal locking nut M16, (for MEP), galv., DIN 985		
62-030-42	Washer M16, (for MEP), galv., DIN 125		

MEP scaffold platforms

Aluminium frame with wooden planks, self-locking. Harmonized with the dimensions of the MEP shoring system to allow for working platforms in great heights, e.g. for the application of MevaDec.



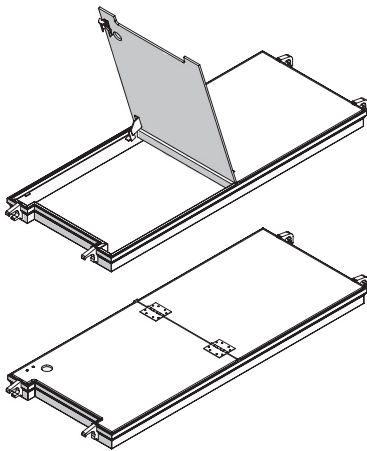
Ref. No.	Description / Application	m ²	kg
29-910-20	MEP-scaffold platform 220/52		15.0
29-910-25	MEP-scaffold platform 170/52		12.4
29-910-30	MEP-scaffold platform 170/33		9.6



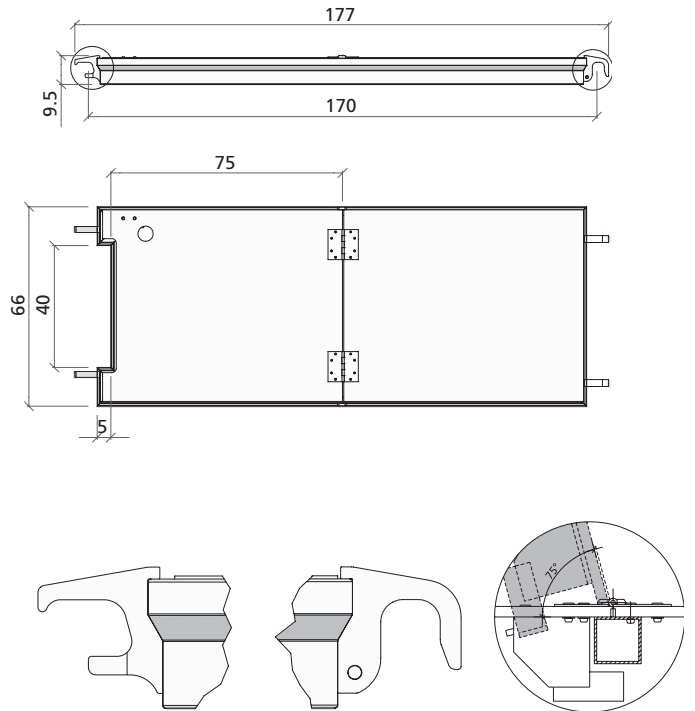
The numbers in parentheses refer to the MEP-scaffold platform 170/33 MEP

Scaffold platform with access hatch

Aluminium frame with wooden planks and access hatch, without ladder, self-locking. Harmonized with the dimensions of the MEP shoring system to allow for working platforms in great heights, e.g. for the application of MevaDec. MEP scaffold platforms 170/33 are used as supplement.



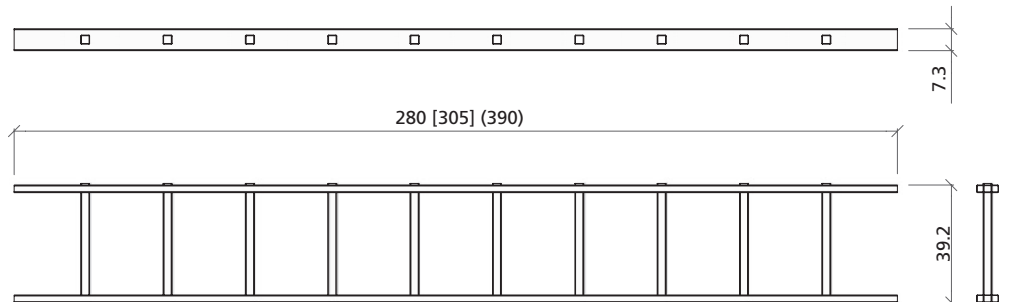
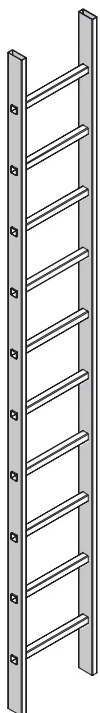
Ref. No.	Description / Application	m ²	kg
29-910-35 Scaffold platform 170/66 with access hatch	14.7	



MEP ladder for hatchway

Aluminium, for MEP scaffold platforms, length 2.95 m.

Ref. No.	Description / Application	m ²	kg
29-910-65 MEP-ladder for hatchway 280	5.0	
29-910-72 MEP-ladder for hatchway 305	6.0	
29-910-74 MEP-ladder for hatchway 390	8.0	



The numbers in parentheses refer to the MEP-ladder for hatchway [305] bzw. (390) MEP



Headquarters (Germany)

MEVA Schalungs-Systeme GmbH
Industriestraße 5
D-72221 Hailerbach
Tel. +49 7456 692-01
Fax +49 7456 692-66
info@meva.de
www.meva.de

Logistic Centers

A-Pfaffstätten, Tel. +43 2252 20900-0
D-Berlin, Tel. +49 3375 9030-0
D-Hailerbach, Tel. +49 7456 692-01
D-Hannover, Tel. +49 511 94993-0
H-Budapest, Tel. +36 1 2722222
UAE-Dubai, Tel. +971 4 3411180
USA-Springfield, Tel. +1 937 3280022

International Sales & Service

A-Pfaffstätten, Tel. 02252 20900-0
AUS-Adelaide, Tel. 08 82634377
B-Kruikebe, Tel. 03 250 11 11
CDN-Toronto, Tel. 416 5766397
CH-Seon, Tel. 062 7697100
CO-Bogotá, Tel. 01 5204236
F-Sarreguemines, Tel. 0387 959938
GB-Tamworth, Tel. 01827 60217
H-Budapest, Tel. 01 2722222
HR-Bestovje, Tel. 013 323 666
IND-Mumbai, Tel. 022 27563430
LT-Kaunas, Tel. 0684 82795
MAL-Perak, Tel. 12 5209337
N-Oslo, Tel. 067 154200
NL-Gouda, Tel. 0182 570770
PA-Panama City 507 2372222
PL-Bialystok, Tel. 085 6768159
RUS-Moskva, Tel. 495 7813737
SGP-Singapore, Tel. 67354459
SLO-Petrovce, Tel. 03 7131500
UAE-Dubai, Tel. 04 3411180
USA-Springfield, Tel. 937 3280022