

This product list includes all parts necessary for most applications. For parts required for special applications, please refer to the MEVA price list. Dimensions are in centimetres (cm) unless another measure is shown.

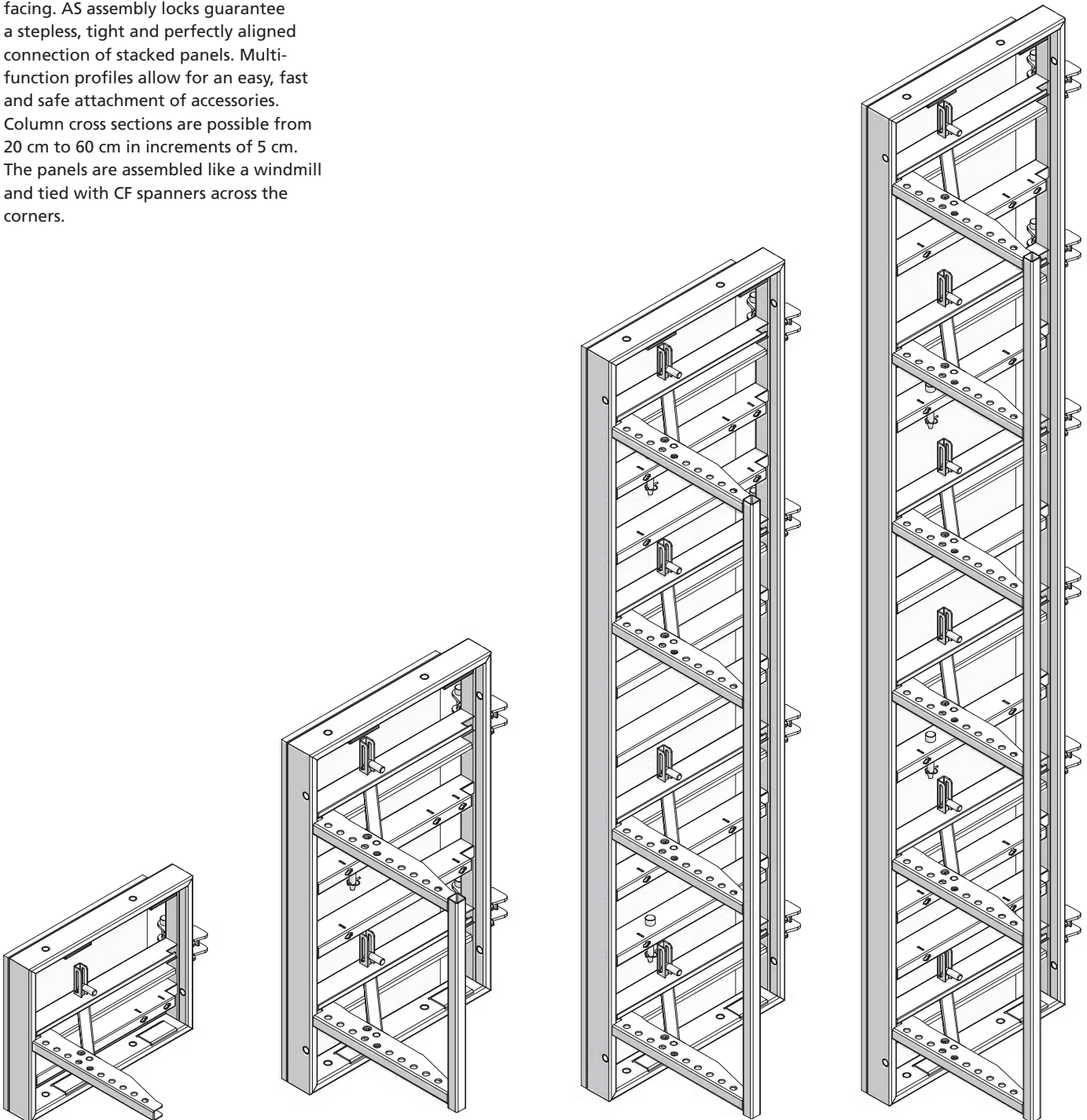
Contents

AS assembly lock	26
Brace frame 250	27
Brace SRL.....	28
CF access platform.....	30
CF cantilever angle.....	31
CF column formwork	24
CF front railing	31
CF ladder connector	33
CF scaffold bracket.....	30
CF spanner	26
CF steel sheet for sliding.....	34
CF transport device 130	35
CF transport wheel.....	34
Chamfer strip 15/15.....	27
Cotter pin 4.....	29
Double-jointed foot plate	29
Extension ladder.....	32
Flange screw 18.....	26
Formwork-prop connector	27
Head bolt 16/90.....	29
Ladder	32
Ladder fixture.....	33
Push-pull prop R.....	28
Safety cage	33

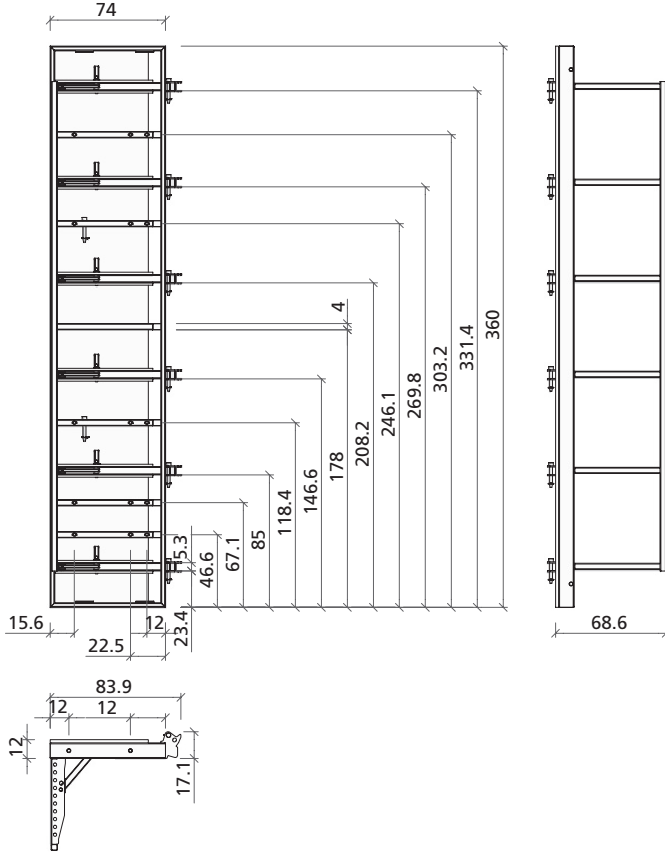
CF column formwork

Construction height 12 cm, frame profile width 40 mm. The panel frames are made of closed steel profiles and are torsion-proof. Their high-quality annealed powder coating, priming and cavity-sealing makes them corrosion-resistant and easy to clean. The panels are equipped with alkus AL 20 all-plastic facing. AS assembly locks guarantee a stepless, tight and perfectly aligned connection of stacked panels. Multi-function profiles allow for an easy, fast and safe attachment of accessories. Column cross sections are possible from 20 cm to 60 cm in increments of 5 cm. The panels are assembled like a windmill and tied with CF spanners across the corners.

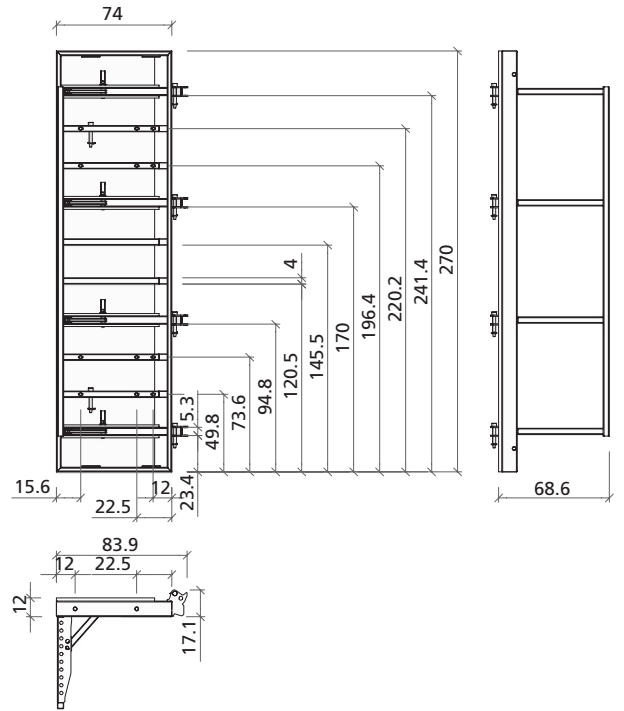
Ref. No.	Description / Application	m ²	kg
23-603-10 CF-column panel AL 20... 360	2.16	203.0
23-603-20 CF-column panel AL 20... 270	1.62	152.5
23-603-30 CF-column panel AL 20... 120	0.72	73.5
23-603-40 CF-column panel AL 20... 60	0.36	40.0



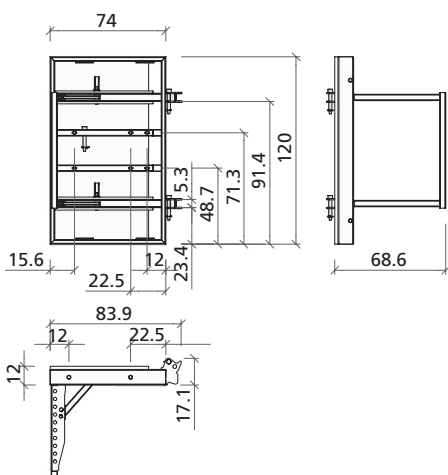
CF-column panel 360



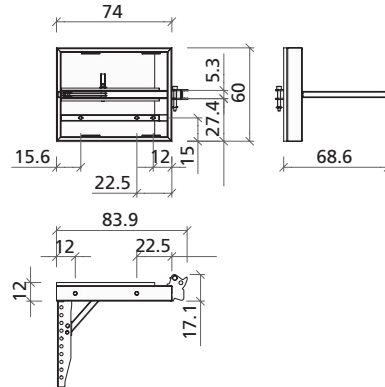
CF-column panel 270



CF-column panel 120

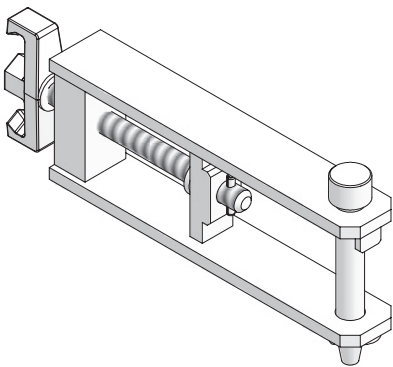


CF-column panel 60

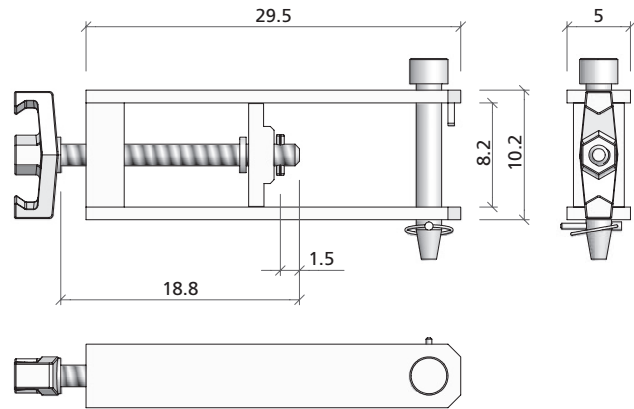


CF spanner

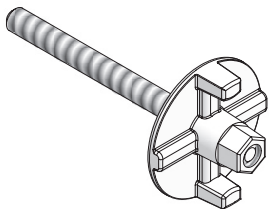
Galvanized. Is used to open and close the CaroFalt. The required quantity depends on the panel height (h): 6 for h 360 cm, 4 for h 270 cm, 2 for h 120 cm, 1 for h 60 cm.



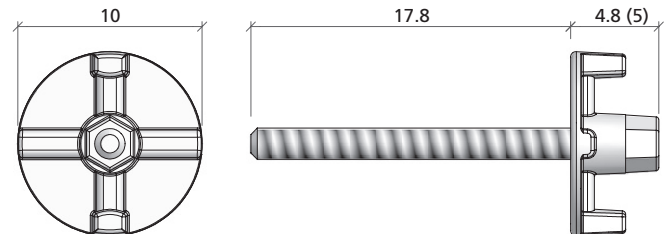
Ref. No.	Description / Application	m ²	kg
29-413-65 CF-spanner		4.6


Flange screw 18

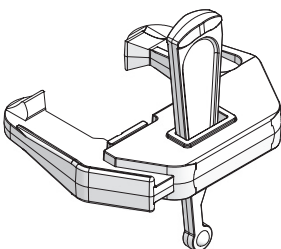
Galvanized. DW thread Ø 15 mm. Is used to attach accessories such as brace frames, push-pull props, CF brackets, ladder fixtures, etc. Length of thread 18 cm.



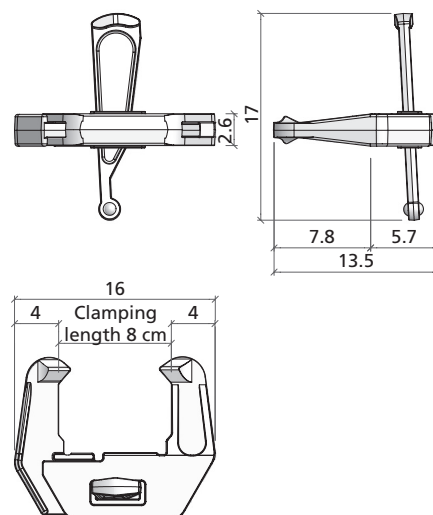
Ref. No.	Description / Application	m ²	kg
29-401-10 Flange screw 18		1.1


AS assembly lock

Galvanized. Tightly connects and aligns CaroFalt panels when height-extending them. Clamping length 8 cm. 2 AS assembly locks are required per panel joint.

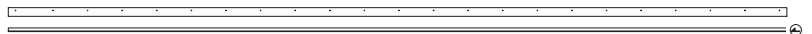
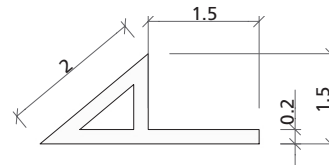


Ref. No.	Description / Application	m ²	kg
29-205-00 AS-assembly lock		2.0



Chamfer strip 15/15

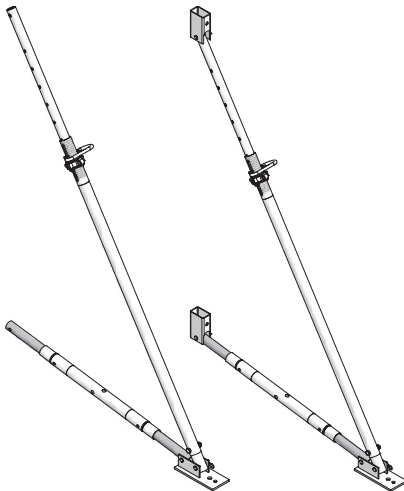
PVC; with perforated strip.
Length 2.50 m.



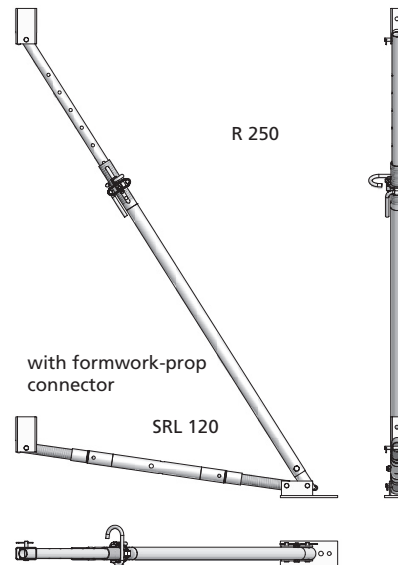
Ref. No.	Description / Application	m ²	kg
29-902-90	Chamfer strip 15/15, PVC (2.50m)	0.5	

Brace frame 250

Galvanized. Available with or without formwork-prop connector. Aligns and supports the formwork. The brace frame consists of a push-pull prop R 250 (190–320 cm), a brace SRL 120 (90–150 cm) and a double-jointed footplate. The formwork-prop connectors are attached to the formwork with flange screws 18.

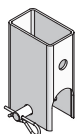


Ref. No.	Description / Application	m ²	kg
29-109-25	Brace frame 250 without connector	27.5	
29-109-20	Brace frame 250 with formwork-prop connector	31.5	

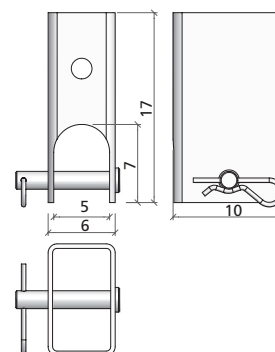


Formwork-prop connector

Galvanized. Connects braces, brace frames and push-pull props (max. Ø 48 mm) to the multi-function profile with a flange screw 18. Delivery includes head bolt 16/90 and cotter pin 4.



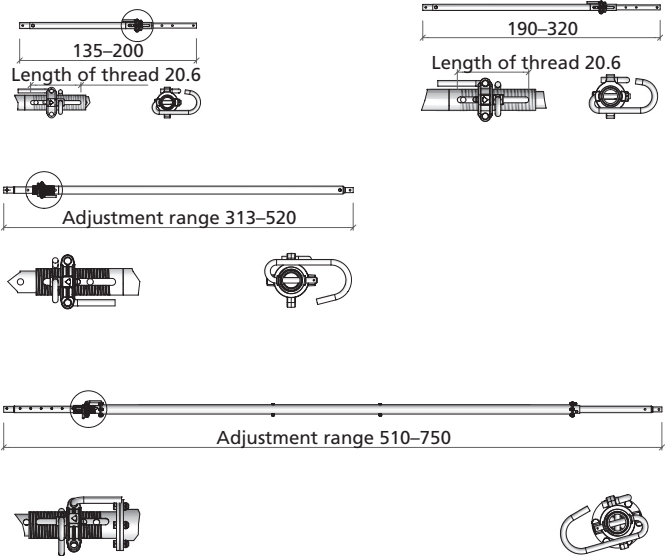
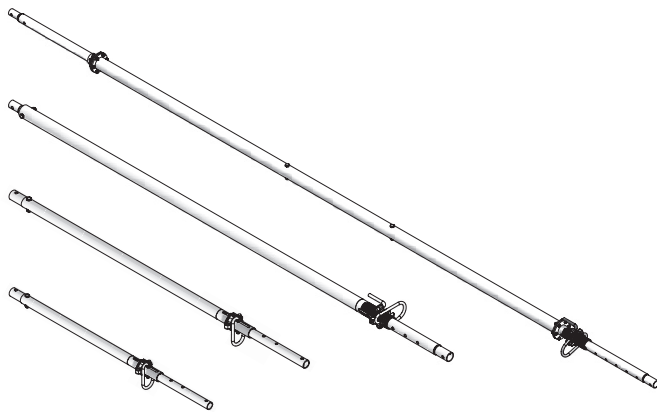
Ref. No.	Description / Application	m ²	kg
29-804-85	Formwork-prop connector	1.7	



Push-pull prop R

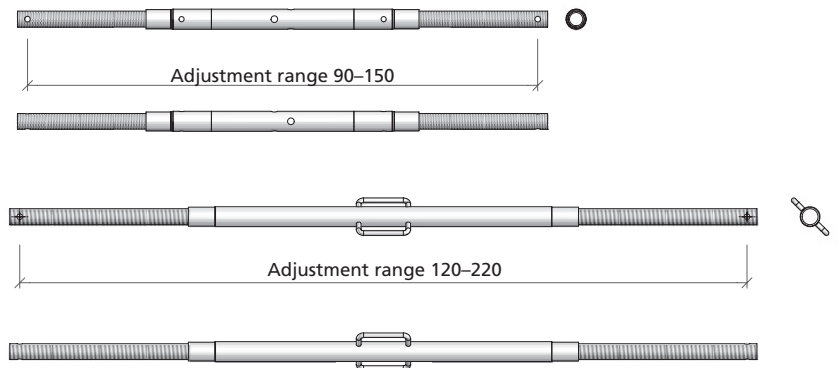
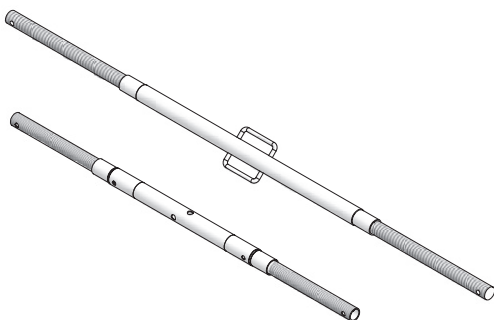
Galvanized. Guarantees tensile and compression strength. Aligns and supports wall formwork. The foot plate and formwork-prop connector must be ordered separately.

Ref. No.	Description / Application	m ²	kg
29-109-40	Push-pull prop R 160 (135-200)	11.0	
29-109-60	Push-pull prop R 250 (190-320)	18.5	
29-109-80	Push-pull prop R 460 (340-520)	35.8	
29-109-85	Push-pull prop R 630 (510-760)	68.0	


Brace SRL

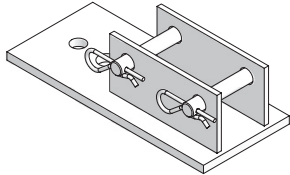
Galvanized. Guarantees tensile and compression strength. Consists of a right and left-hand spindle as well as a revolving central part. Is used to align and support wall formwork. The footplate and the formwork-prop connector must be ordered separately.

Ref. No.	Description / Application	m ²	kg
29-108-80	Brace SRL 120 (90-150)	8.3	
29-108-90	Brace SRL 170 (120-220)	10.5	

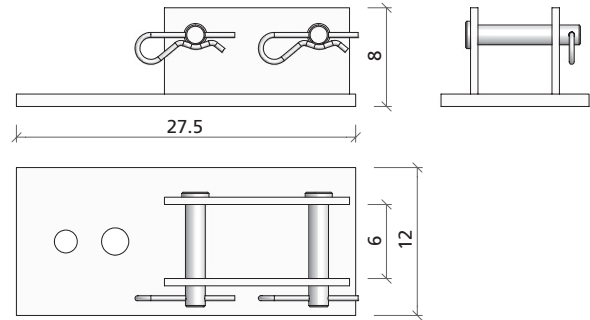


Double-jointed foot plate

Galvanized. Delivery includes head bolt 16/90 and cotter pin 4. Serves as foot plate for brace frames 250 and as connector for braces and push-pull props up to Ø 57 mm.



Ref. No.	Description / Application	m ²	kg
29-402-32	Double-jointed foot plate (RS Ø to 57 mm)		4.0

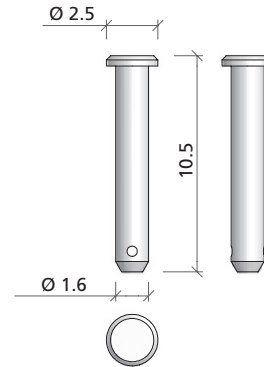


Head bolt 16/90

Galvanized. Is used to attach push-pull props and braces to foot plates and formwork-prop connectors.

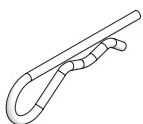


Ref. No.	Description / Application	m ²	kg
42-413-50	Head bolt 16/90, galv.		0.2

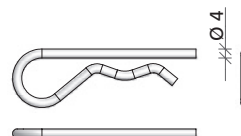


Cotter pin 4

Galvanized. Locks the head bolt.

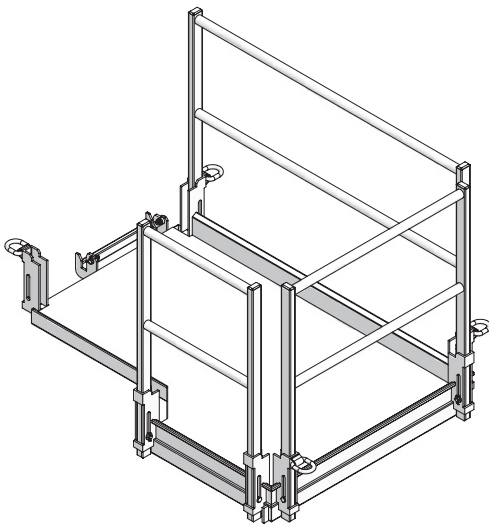


Ref. No.	Description / Application	m ²	kg
62-010-04	Cotter pin D=4		
62-010-03	linch pin		

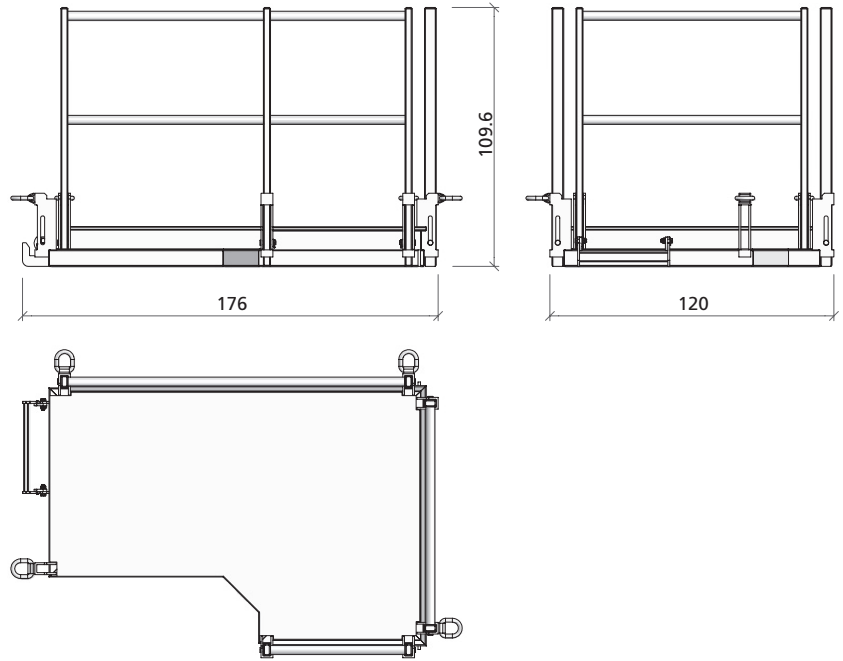


CF access platform

With pluggable guard-railing; galvanized steel frame covered with non-slipping aluminium. Load capacity 2 kN/m². Is attached to the CF column panels with a CF scaffold bracket and a CF cantilever angle.

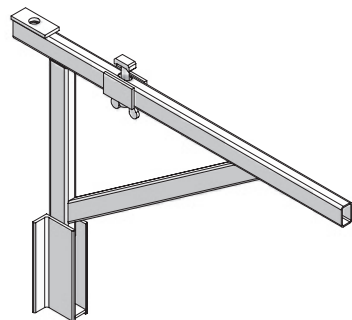


Ref. No.	Description / Application	m ²	kg
29-414-10 CF-access platform.....	106.5	

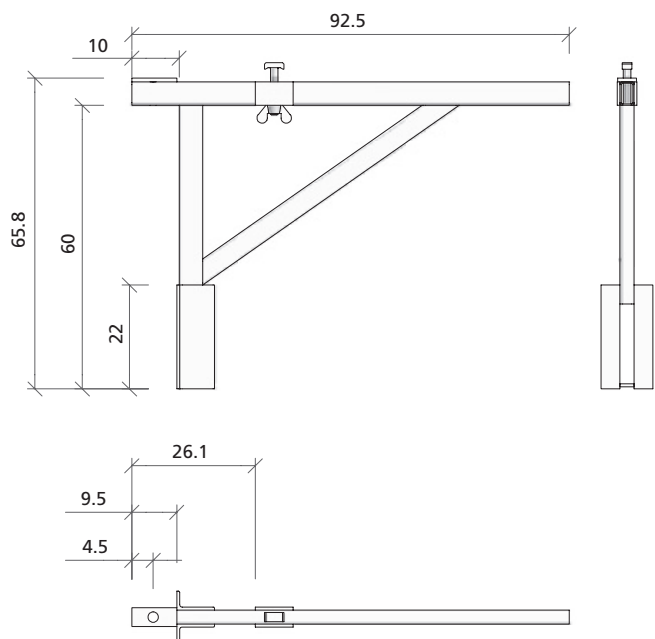


CF scaffold bracket

Galvanized. Connects the CaroFalt and the CF access platform. Is attached to the CF column panel with a flange screw 18 and a CF transport device 130 through the transport hole. The CF access platform is attached with the integrated hammerhead screw.

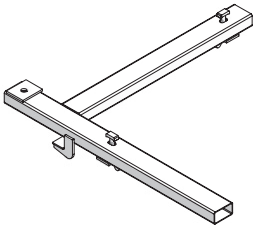


Ref. No.	Description / Application	m ²	kg
29-414-15 CF-scaffold bracket.....	9.5	

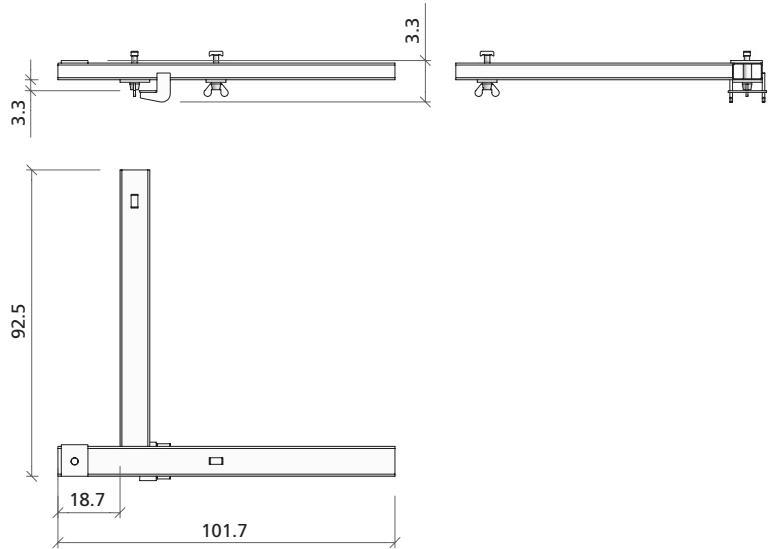


CF cantilever angle

Galvanized. Is attached to the CF column panel with CF transport device 130 through the transport hole. The CF access platform is secured with the integrated hammerhead screw.

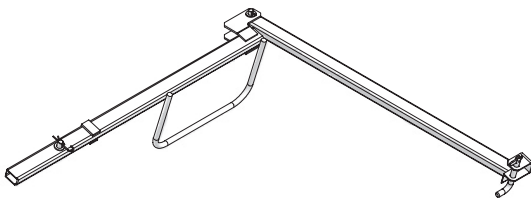


Ref. No.	Description / Application	m ²	kg
29-414-20 CF-cantilever angle		14.5

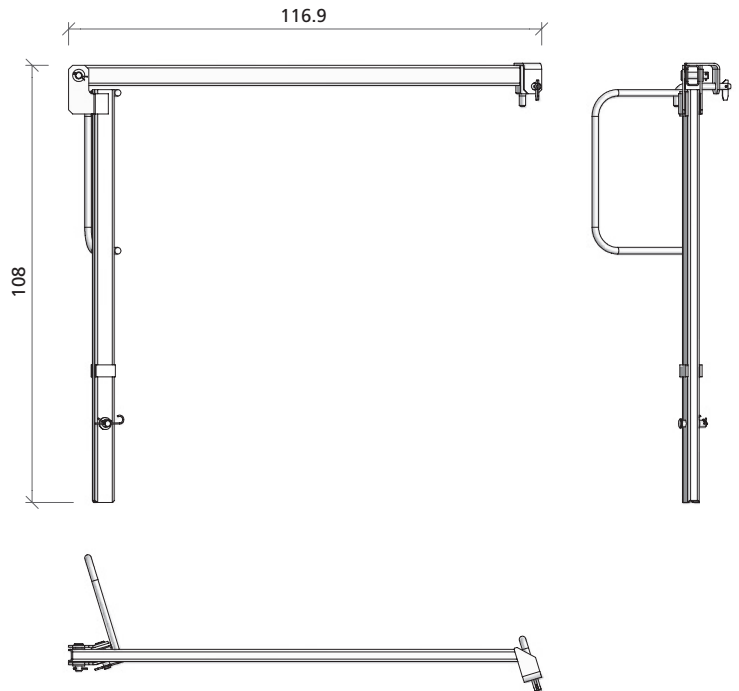


CF front railing

Galvanized. Is plugged into the CF-access platform.



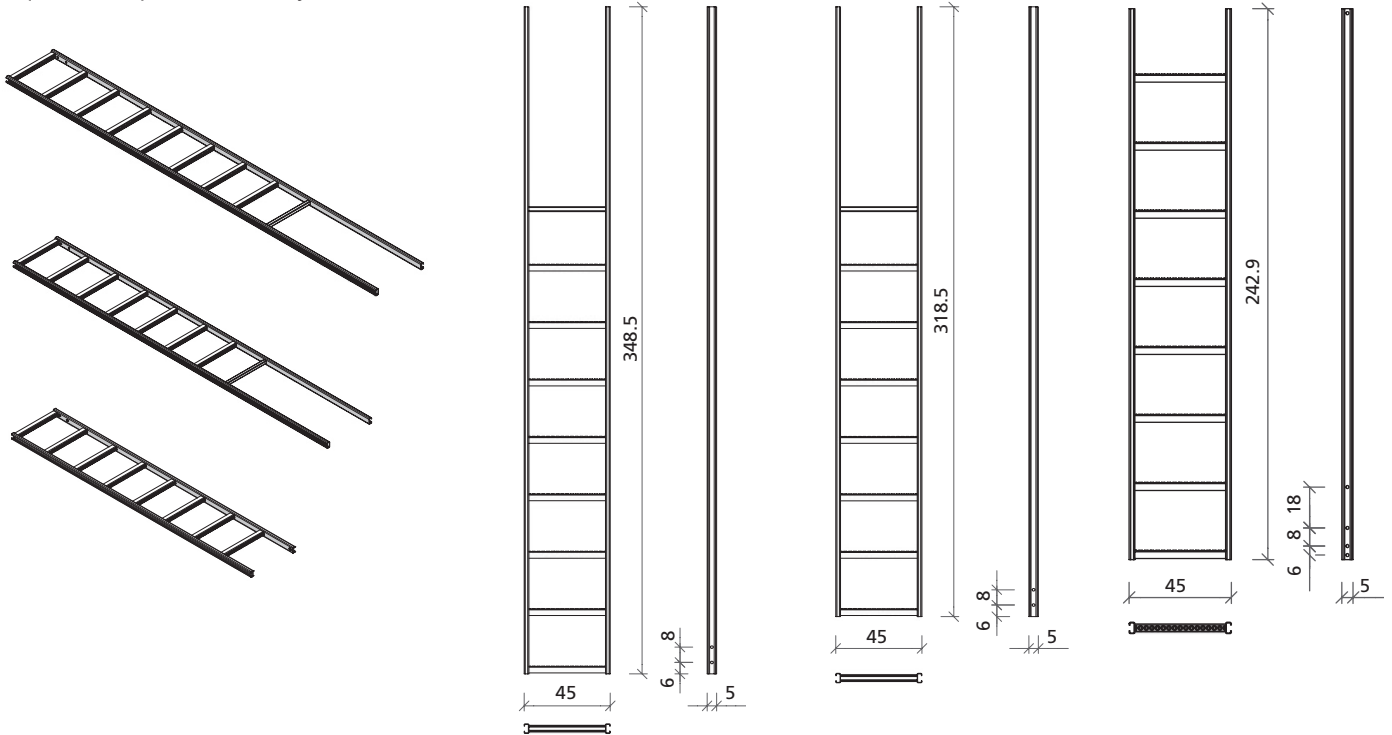
Ref. No.	Description / Application	m ²	kg
29-414-25 CF-front railing		11.0



Ladder

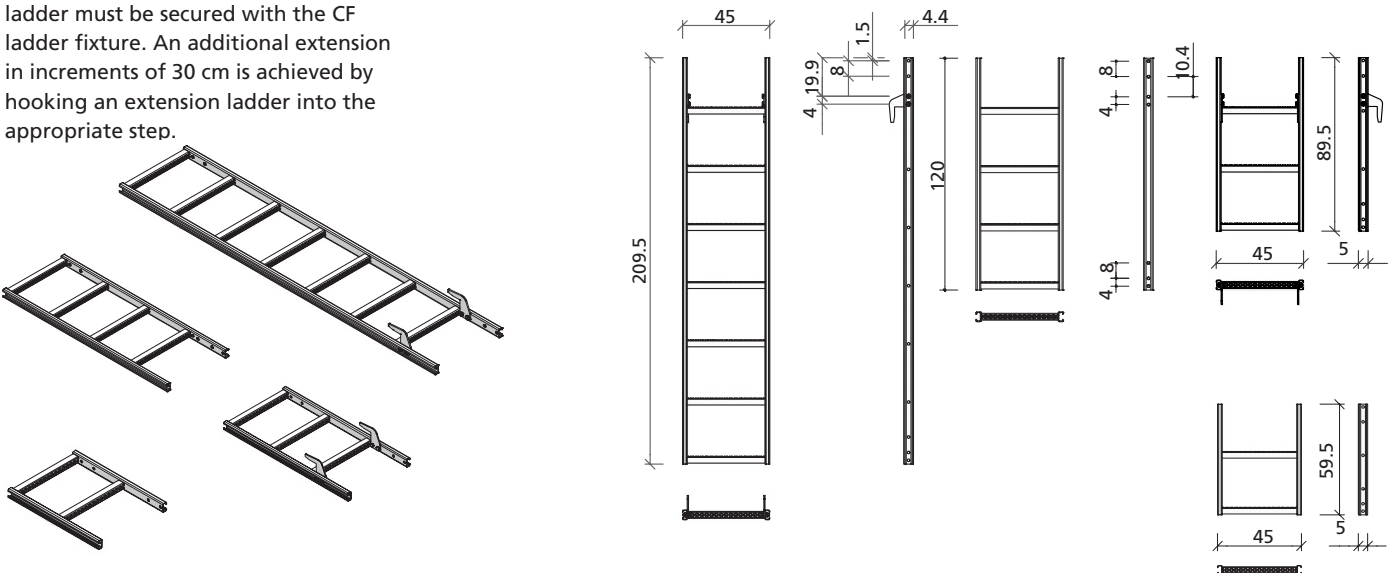
Galvanized. Is hooked into the CF access platform and automatically secured. Can be extended with extension ladders. Safety cages are required for operational safety.

Ref. No.	Description / Application	m ²	kg
29-414-50	Ladder 348	23.2	
29-414-55	Ladder 318	21.1	
29-416-50	Ladder 243	17.2	


Extension ladder

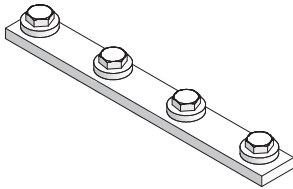
Galvanized. Depending on the required height, the extension ladder is either hooked into the steps of the ladder or bolted to the ladder with the ladder connector. The extension ladder must be secured with the CF ladder fixture. An additional extension in increments of 30 cm is achieved by hooking an extension ladder into the appropriate step.

Ref. No.	Description / Application	m ²	kg
29-414-60	Extension ladder 210	15.9	
29-416-55	Extension ladder 120	8.5	
29-416-60	Extension ladder 90	7.4	
29-416-62	Extension ladder 60	4.4	

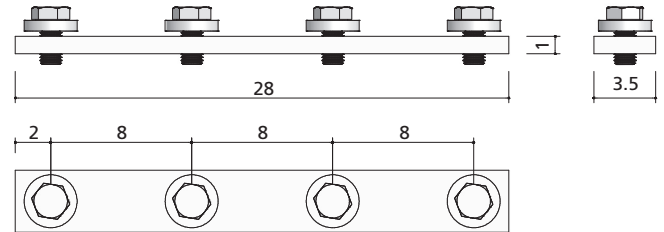


CF ladder connector

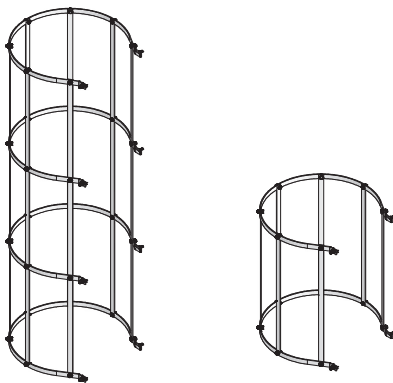
Galvanized. Connects the joint of two extension ladders without the need to hook one ladder into a step of the other.



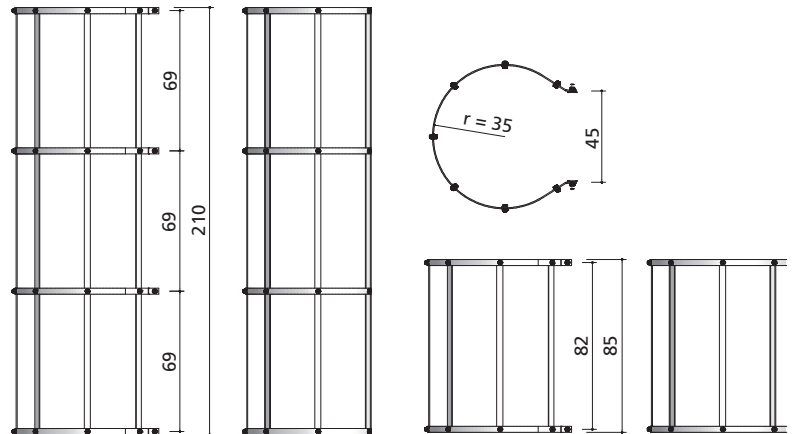
Ref. No.	Description / Application	m ²	kg
29-414-70	Ladder connector		1.0


Safety cage

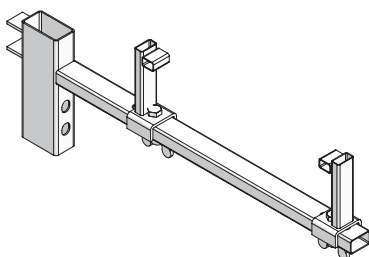
Galvanized. Internal Ø 70 cm. Protects workers when ascending and descending the ladder. The safety cages are attached to the (extension) ladders with the integrated hammerhead screws.



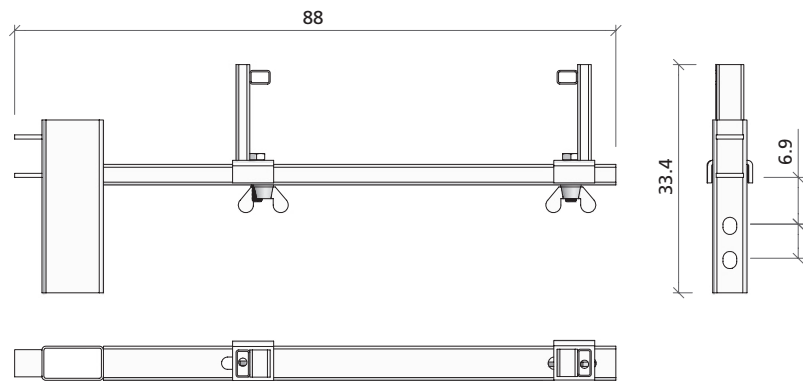
Ref. No.	Description / Application	m ²	kg
29-414-85	Safety cage 210		27.9
29-414-90	Safety cage 85		12.0
29-416-90	Safety cage 40		8.2


Ladder fixture

Galvanized. Is attached to a multi-function profile of the CaroFalt with a flange screw 18. Two ladder fixtures are required for heights from 3.60 m, three for heights from 4.80 m.

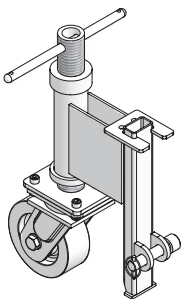


Ref. No.	Description / Application	m ²	kg
29-414-65	CF-ladder fixture		5.0

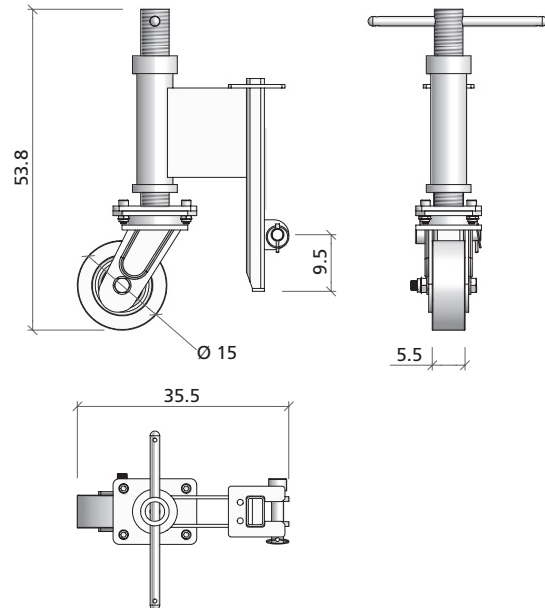


CF transport wheel

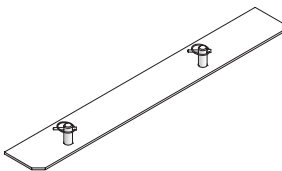
Galvanized. Hard rubber wheels with little rolling friction. Load capacity 600 kg per wheel. Spindle range 7.5 cm. Always 4 wheels are required for a formwork unit. May be used up to a formwork height of 3.60 m. For use and safety check see the CF transport wheel Operating Instructions.



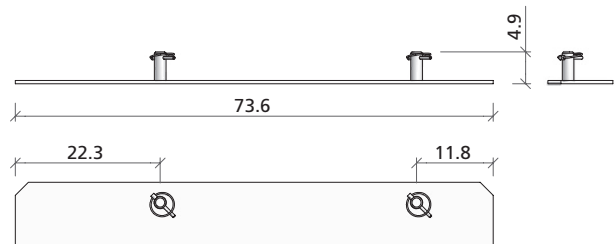
Ref. No.	Description / Application	m ²	kg
29-413-50 CF-transport wheel		14.9


CF steel sheet for sliding

Galvanized. Protects the alkus facing and the panel frames from damage when opening and closing the formwork. Is attached to tranport holes and secured with clip pins. Four steel sheets are required per column form. Delivery includes clip pins.

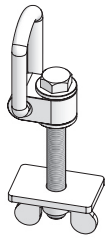


Ref. No.	Description / Application	m ²	kg
29-413-60 CF-steel sheet for sliding		3.2

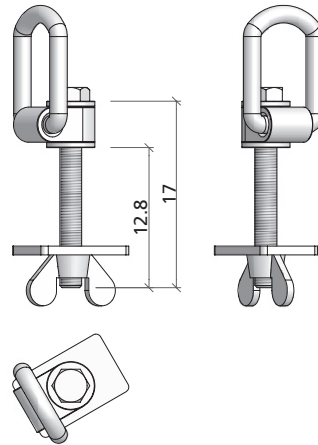


CF transport device 130

For the vertical transport of the CF-column formwork. Is bolted. Load capacity 12 kN (1.2 tons). Always 3 CF transport devices are required per column unit. For use and safety test see the CF transport device Operating Instructions.



Ref. No.	Description / Application	m ²	kg
29-413-70	CF-transport device 130.....		1.7





Headquarters (Germany)

MEVA Schalungs-Systeme GmbH
Industriestraße 5
D-72221 Haitebach
Tel. +49 7456 692-01
Fax +49 7456 692-66
info@meva.de
www.meva.de

Logistic Centers

A-Pfaffstätten, Tel. +43 2252 20900-0
D-Berlin, Tel. +49 3375 9030-0
D-Haitebach, Tel. +49 7456 692-01
D-Hannover, Tel. +49 511 94993-0
H-Budapest, Tel. +36 1 2722222
UAE-Dubai, Tel. +971 4 3411180
USA-Springfield, Tel. +1 937 3280022

International Sales & Service

A-Pfaffstätten, Tel. 02252 20900-0
AUS-Adelaide, Tel. 08 82634377
B-Kruikebe, Tel. 03 250 11 11
CDN-Toronto, Tel. 416 5766397
CH-Seon, Tel. 062 7697100
CO-Bogotá, Tel. 01 5204236
F-Sarreguemines, Tel. 0387 959938
GB-Tamworth, Tel. 01827 60217
H-Budapest, Tel. 01 2722222
HR-Bestovje, Tel. 013 323 666
IND-Mumbai, Tel. 022 27563430
LT-Kaunas, Tel. 0684 82795
MAL-Perak, Tel. 12 5209337
N-Oslo, Tel. 067 154200
NL-Gouda, Tel. 0182 570770
PA-Panama City 507 2372222
PL-Bialystok, Tel. 085 6768159
RUS-Moskva, Tel. 495 7813737
SGP-Singapore, Tel. 67354459
SLO-Petrovce, Tel. 03 7131500
UAE-Dubai, Tel. 04 3411180
USA-Springfield, Tel. 937 3280022