

Product list

Please note

his product list includes all parts necessary for most applications.
For parts required for special applications, please refer to the MEVA price list. Dimensions are in centimetres (cm) unless a different unit is shown.

Contents

Adhesive tape, red.....	59	Guardrailing post 48.....	72
Alignment rail.....	62	Head bolt 16/90.....	68
AluFix AL panels.....	52	Ladder fixture panel SB.....	70
AluFix aluminium filler.....	61	Panel height 1.35 m.....	54
AluFix aluminium panel.....	56	Panel height 1.50 m.....	54
AluFix hinged inside corner.....	58	Panel height 2.70 m.....	53
AluFix hinged outside corner.....	58	Panel height 3.00 m.....	52
AluFix inside corner.....	57	Plastic tube.....	63
AluFix outside corner.....	57	Plug.....	64
AluFix SC Tools.....	59	Plug D20.....	62
AluFix stripping corner.....	59	Push-pull prop R.....	66
Aluminium platform extension 450.....	69	RS-assembly lock.....	60
Aluminium platform side railing adapter.....	69	Safety mesh.....	71
Aluminium platform with access hatch.....	69	Safety plug stacks.....	74
Articulated flange nut 15/120.....	64	Scaffold tube.....	73
Articulated foot plate.....	67	Shoe plate 23.....	68
Brace frame 250.....	66	Side railing.....	71
Braces SRL.....	67	Spanner SW 27.....	64
Compensation plate 10.....	56	Stacking Angle 60/40/23.....	74
Cone for plastic tube.....	63	Stop end bracket.....	62
Cotter pin 4.....	68	Swivel-joint coupler 48/48.....	73
Drive nut 60.....	65	Telescopic ladder SB.....	70
EA/AF-Crane hook.....	65	Tensioner EA for foundation tape.....	55
EA assembly lock.....	60	Tension Screw AF/EF.....	56
Eco stacking rack for panels.....	75	Tie claw 23.....	65
Flange nut 100.....	64	Tie rod DW 15/90.....	63
Flange screw.....	61	Tie rod fixture.....	63
Foot plate.....	67	Tilting bracket 23.....	73
Formwork-prop connector.....	66	Trolley for foundation tape.....	55
Foundation tape.....	55	Uni-assembly lock.....	60
Guardrailing post.....	72	Walkway bracket.....	68

Wall formwork

AluFix AL panels

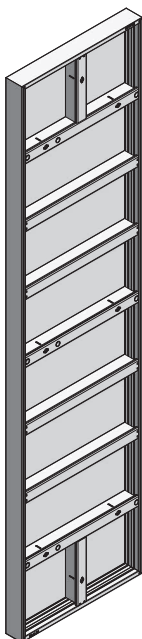
Construction height 10 cm, frame profile width 23 mm. Four tie holes per panel height 350 cm, three tie holes per panel height 300, 270 and 250 cm, two tie holes per panel height 150 and 135 cm. The frames of the AF panels are made of closed 3-chamber aluminium profiles and hence torsion-proof. They are easy to clean thanks to their high-quality annealed powder coating. AluFix AL panels can be ordered with alkus face or plywood (birch ply). All-around grooves and EA assembly locks guarantee a tight and perfectly aligned panel connection. Anchor sleeves are welded into the frames. Multi-function profiles allow for an easy, fast and safe attachment of accessories. For use on foundations AF-panels 90 cm and 75 cm wide have an additional recessed tie hole.

Panel height 3.00 m

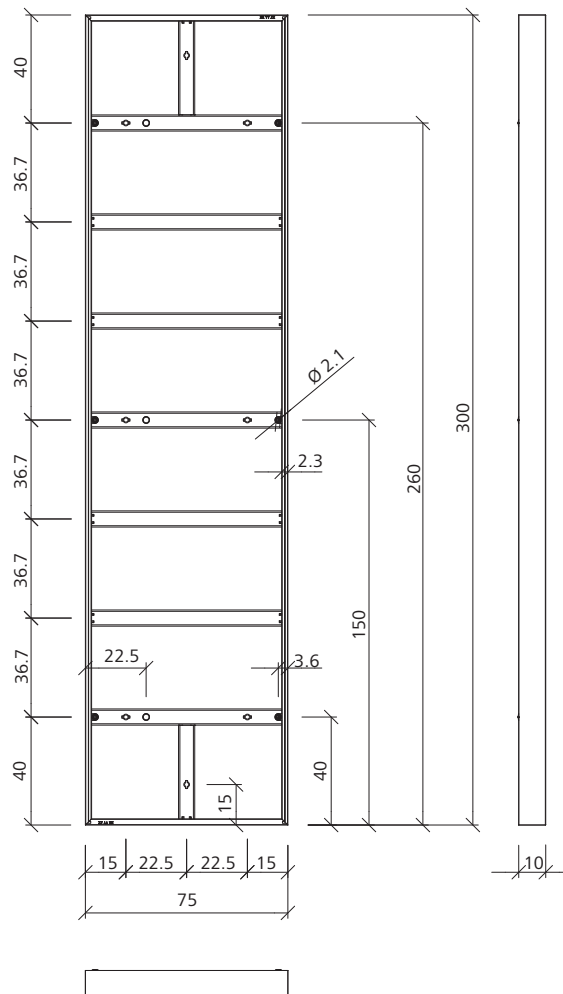
7 cross stiffeners, of which 3 are multi-function profiles with welded DW-threaded nuts.
3 tie holes per panel height.

Attention

Unused tie holes need to be closed with plugs D20.



Ref.-No.	Description / Application	m ²	kg
22-134-10.....	AluFix AL.....300/90.....	2.70	53.00
22-134-25.....	AluFix AL.....300/75.....	2.25	46.00
22-134-45.....	AluFix AL.....300/55.....	1.65	35.50
22-134-55.....	AluFix AL.....300/45.....	1.35	30.70
22-134-60.....	AluFix AL.....300/40.....	1.20	28.40
22-134-75.....	AluFix AL.....300/25.....	0.75	20.20



Wall formwork

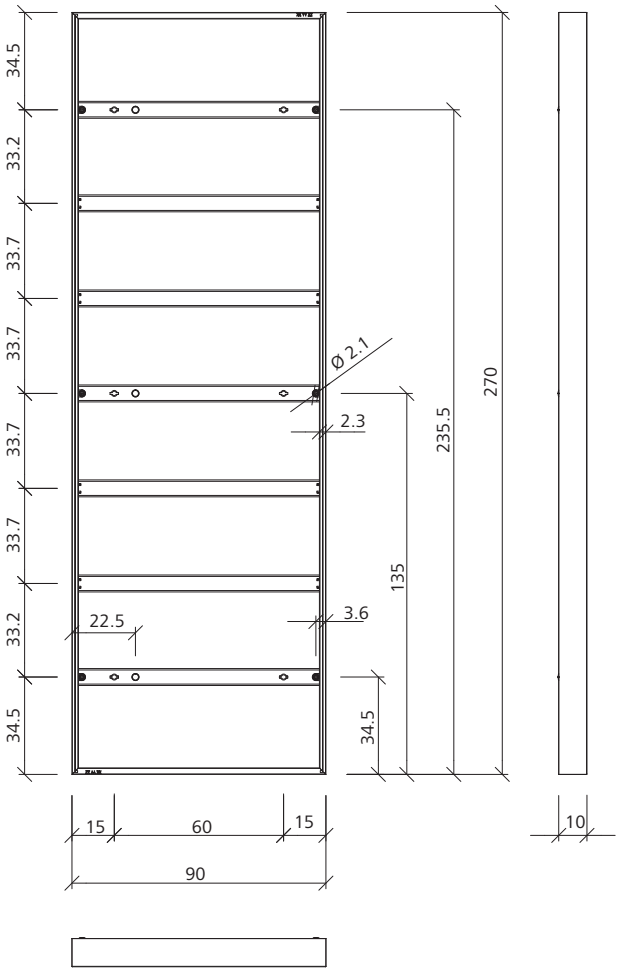
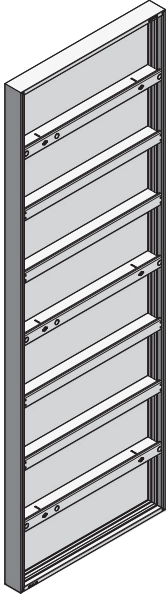
Panel height 2.70 m

7 cross stiffeners, of which 3 are multi-function profiles with welded DW-threaded nuts .
3 tie holes per panel height.

Attention

Unused tie holes need to be closed with plugs D20.

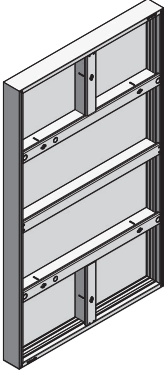
Ref.-No.	Description / Application	m ²	kg
22-137-10.....	AluFix AL.....270/90.....	2.43	47.80
22-137-25.....	AluFix AL.....270/75.....	2.03	41.30
22-137-45.....	AluFix AL.....270/55.....	1.49	31.60
22-137-55.....	AluFix AL.....270/45.....	1.22	27.10
22-137-60.....	AluFix AL.....270/40.....	1.08	24.90
22-137-75.....	AluFix AL.....270/25.....	0.68	18.50



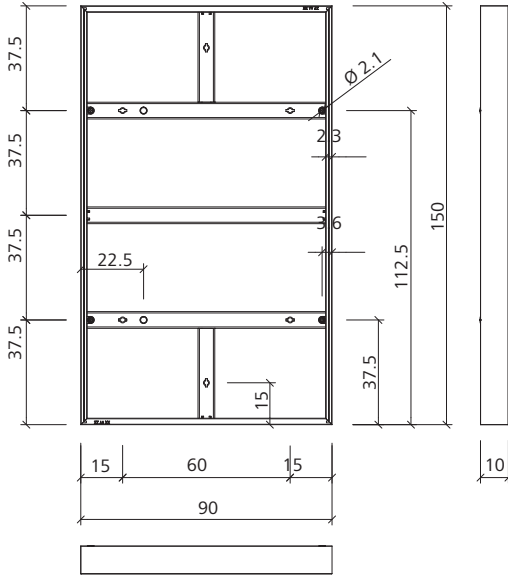
Wall formwork

Panel height 1.50 m

3 cross stiffeners, of which 2 are multi-function profiles with welded DW-threaded nuts.
2 tie holes per panel height.

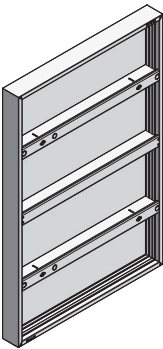


Ref.-No.	Description / Application	m ²	kg
22-135-10.....	AluFix AL..... 150/90.....	1.35	27.70
22-135-25.....	AluFix AL..... 150/75.....	1.13	23.60
22-135-45.....	AluFix AL..... 150/55.....	0.83	18.80
22-135-55.....	AluFix AL..... 150/45.....	0.68	16.30
22-135-60.....	AluFix AL..... 150/40.....	0.60	15.10
22-135-75.....	AluFix AL..... 150/25.....	0.38	10.30

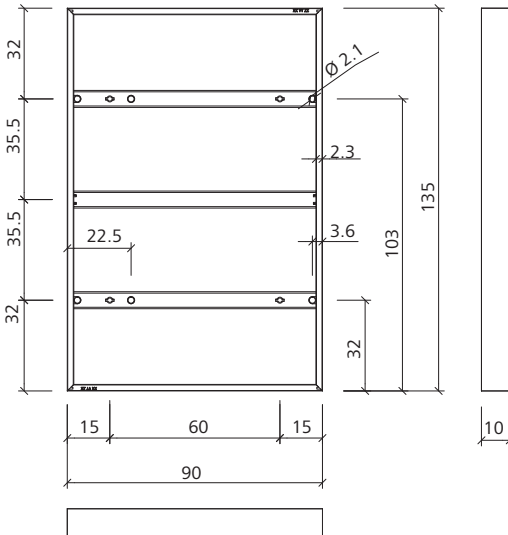


Panel height 1.35 m

3 cross stiffeners, of which 2 are multi-function profiles with welded DW-threaded nuts .
2 tie holes per panel height.



Ref.-No.	Description / Application	m ²	kg
22-139-10.....	AluFix AL..... 135/90.....	1.22	24.10
22-139-25.....	AluFix AL..... 135/75.....	1.01	20.70
22-139-45.....	AluFix AL..... 135/55.....	0.74	16.30
22-139-55.....	AluFix AL..... 135/45.....	0.61	13.90
22-139-60.....	AluFix AL..... 135/40.....	0.54	12.80
22-139-75.....	AluFix AL..... 135/25.....	0.34	9.50

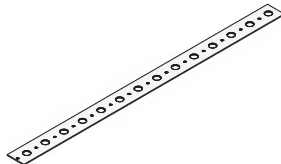


Attention
Unused tie holes need to be closed with plugs D20.

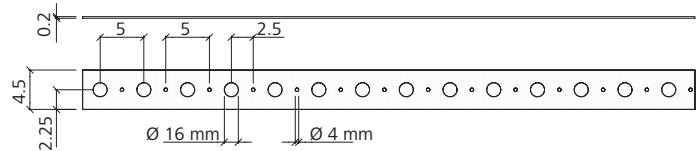
Wall formwork

Foundation tape

Galvanized. Hole spacing 50 mm, hole Ø 16 mm, length 50 m. Adm. tractive force 10 kN. To be cut at hole center. Together with the appropriate tensioner it serves as bottom tie when panels are assembled in horizontal position.

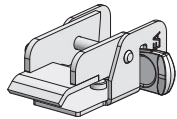


Ref.-No.	Description / Application	m ²	kg
29-307-50 Foundation tape 50 m.....		20.00

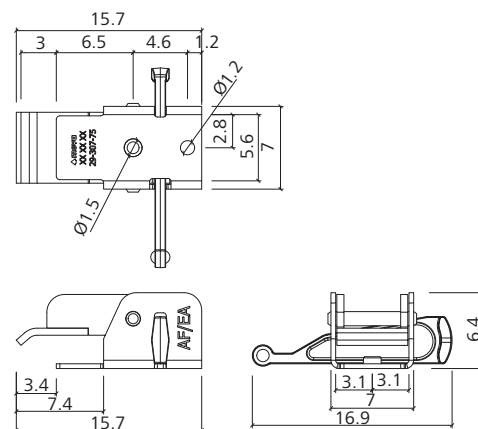


Tensioner EA for foundation tape

Galvanized. Connects the foundation tape to EcoAs or AluFix panels and serves as bottom tie when panels are assembled in horizontal position. Two tensioners are required per tying position.



Ref.-No.	Description / Application	m ²	kg
29-307-75 Tensioner EA for foundation tape.....		1.26



Trolley for foundation tape

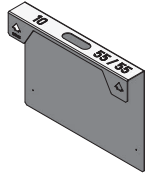
Not shown. Galvanized. Is used to transport and cut foundation tape to length. Suitable for one roll. Pneumatic wheels.

Ref.-No.	Description / Application	m ²	kg
29-307-55 Trolley for foundation tape.....		21.80

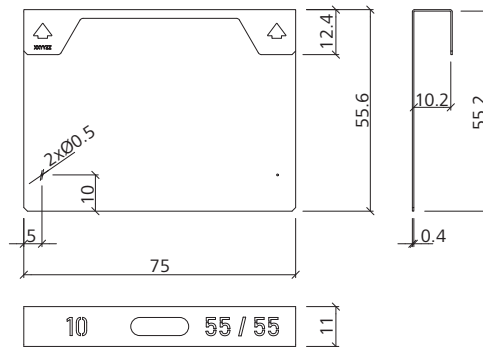
Wall formwork

Compensation plate 10

Made of steel, hot-dip galvanised. For compensation up to 55 cm on formwork for foundations. With panels of a width of 55 cm the compensation plate 10 is hooked on the frame with a profile thickness of 10 cm

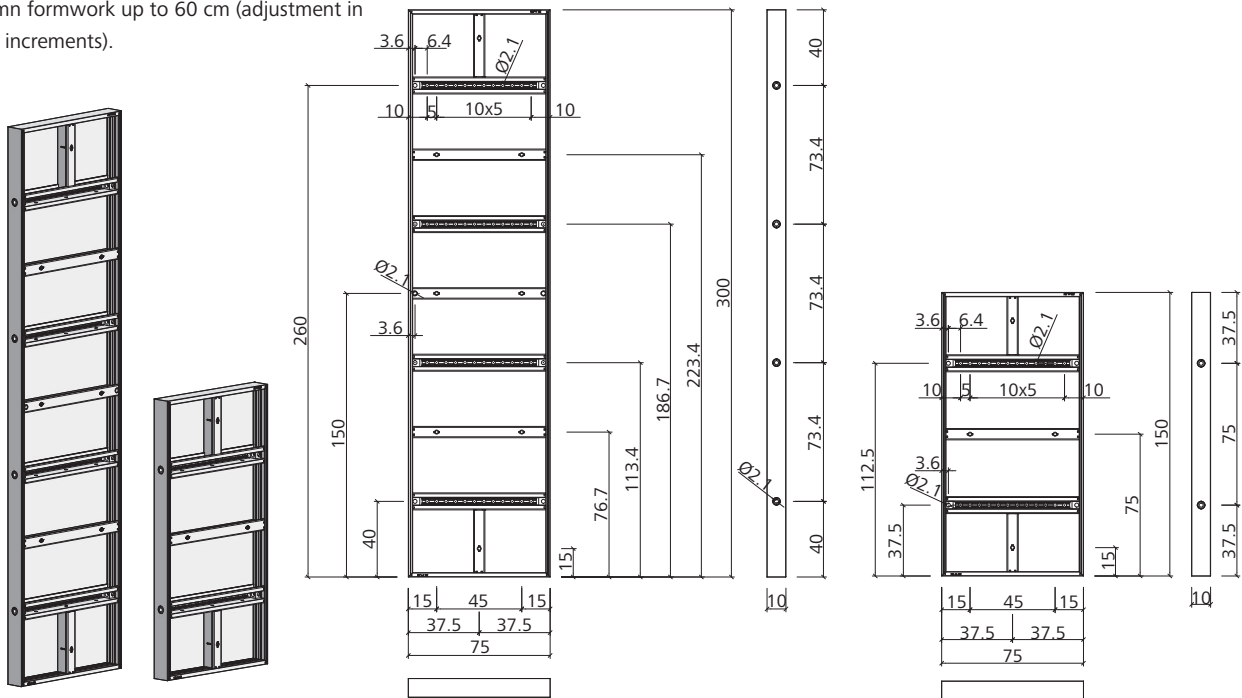


Ref.-No.	Description / Application	m ²	kg
29-201-15 Compensation plate 10 (55x55).....		16.85



AluFix column panel

Three tie holes per panel heights 300 cm and two tie holes per panel heights 150 cm with unperforated alkus facing (with grained back). Equipped with perforated profiles for tensioning screws AF/EF. Can be used for column formwork up to 60 cm (adjustment in 5 cm increments).



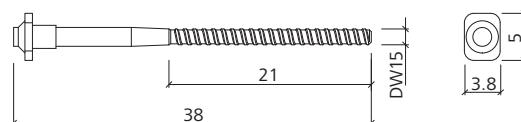
Ref.-No.	Description / Application	m ²	kg
22-134-20 AluFix AL-CP.....300/75.....	2.25	46.00
22-135-20 AluFix AL-CP.....150/75.....	1.13	23.60

Tension Screw AF/EF

Galvanized. Connects AluFix and EcoFix column panels. A flange nut 100 or an articulated flange nut 15/120 is also required.



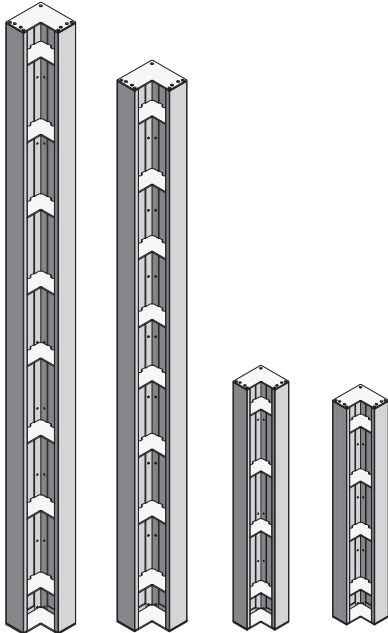
Ref.-No.	Description / Application	m ²	kg
29-402-90 Tension screw AF/EF.....		1.12



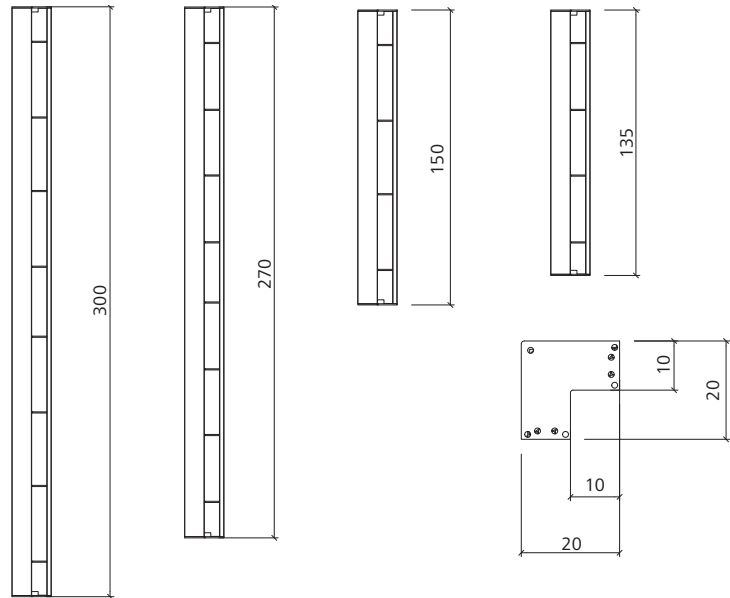
Wall formwork

AluFix inside corner

Aluminium. With annealed power coating.
For 90° corners, side length 20 cm.

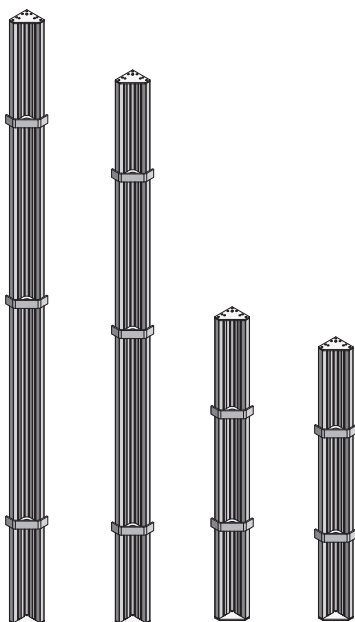


Ref.-No.	Description / Application	m ²	kg
22-154-10.....	AluFix AL-IC.....300/20.....	1.20	27.40
22-154-15.....	AluFix AL-IC.....270/20.....	1.08	25.00
22-154-30.....	AluFix AL-IC.....150/20.....	0.60	14.20
22-154-35.....	AluFix AL-IC.....135/20.....	0.54	13.00

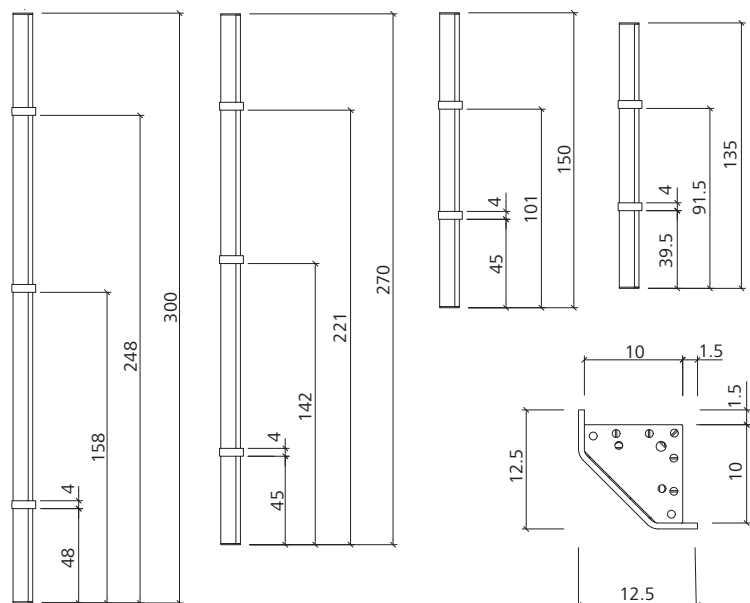


AluFix outside corner

Aluminium. With annealed powder coating.
Provides a tight outside corner assembly for 90° angles when used together with AluFix panels and EA assembly locks.



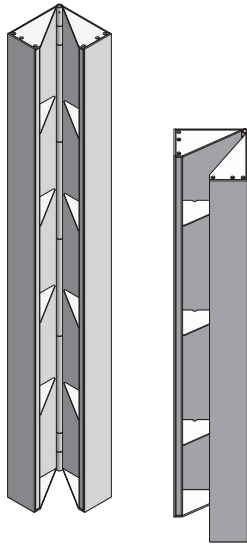
Ref.-No.	Description / Application	m ²	kg
22-150-02.....	AluFix OC.....300.....	9.05	9.05
22-150-03.....	AluFix OC.....270.....	8.21	8.21
22-150-12.....	AluFix OC.....150.....	4.70	4.70
22-150-14.....	AluFix OC.....135.....	4.28	4.28



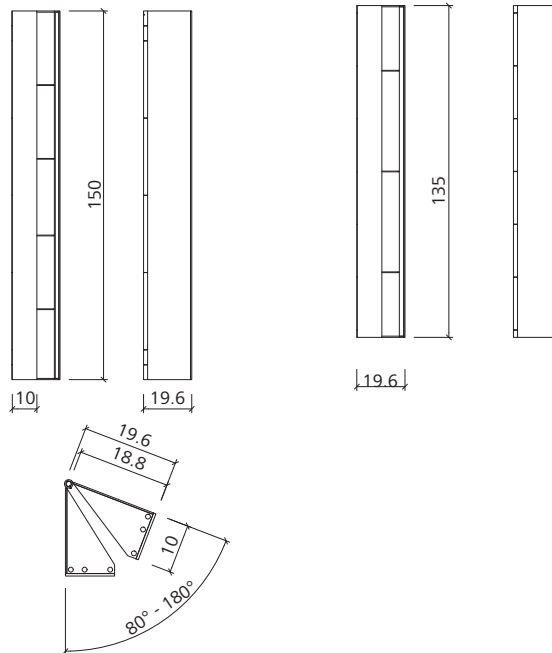
Wall formwork

AluFix hinged inside corner

Steel construction with steel sheeting.
 Primed and cavity-sealed. Side length 20 cm.
 Adjustable angle 80° - 180° when used as inside corner, or 95° - 180° when used as outside corner.

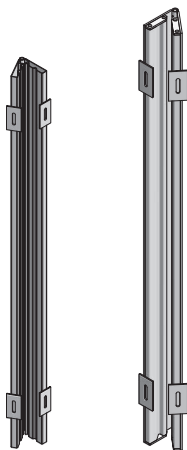


Ref.-No.	Description / Application	m ²	kg
22-151-90	AluFix HIC 150	0.60	35.00
22-151-92	AluFix HIC 135	0.54	31.30

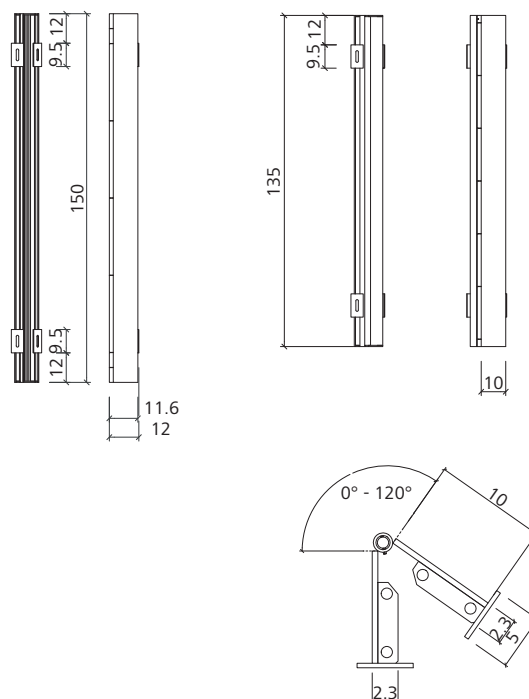


AluFix hinged outside corner

Steel construction with steel sheeting.
 Primed and cavity-sealed. Side length 1.5 cm.
 Adjustable angle 0° - 120°.



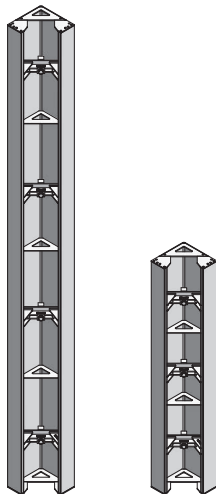
Ref.-No.	Description / Application	m ²	kg
22-151-70	AluFix HOC 150	20.50	
22-151-72	AluFix HOC 135	18.30	



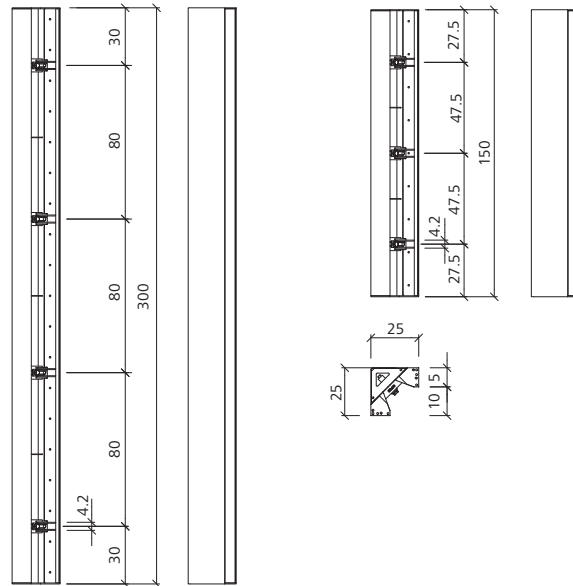
Wall formwork

AluFix stripping corner

Steel construction with steel sheeting. Primed and cavity-sealed. 3 parts. With annealed powder coating and tie holes. When assembling and stripping the formwork, the AF stripping corners are pressed against and removed from the concrete by using the integrated spanner.



Ref.-No.	Description / Application	m ²	kg
22-151-10.....	AluFix SC.....300/25.....		106.80
22-151-12.....	AluFix SC.....270/25.....		97.70
22-151-20.....	AluFix SC.....150/25.....		57.70
22-151-25.....	AluFix SC.....135/25.....		49.69



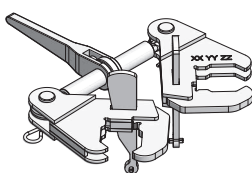
Adhesive tape, red

Not shown. Reinforced adhesive tape, red, 50 mm wide, 50 running metres. Total thickness: 270 µm. Natural rubber adhesive on one side. PE-coated.

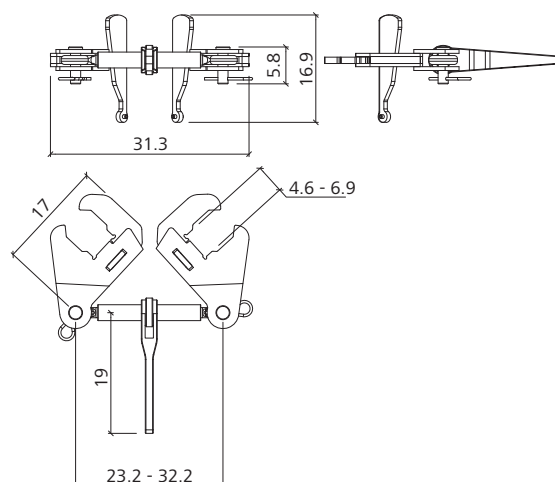
Ref.-No.	Description / Application	m ²	kg
41-912-10.....	Adhesive tape 50 m, red.....		0.83

AluFix SC Tools

Complete tool for activating/operating the AluFix ASE, adjustment range 232 - 322 mm. Consists of 1 pc. each: Formwork-prop connector for stripping corner left, Formwork-prop connector for stripping corner right, Ratchet load tensioner 232-322.



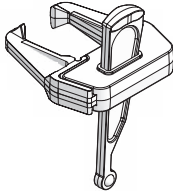
Ref.-No.	Description / Application	m ²	kg
29-306-15.....	AluFix SC Tools.....		5.49



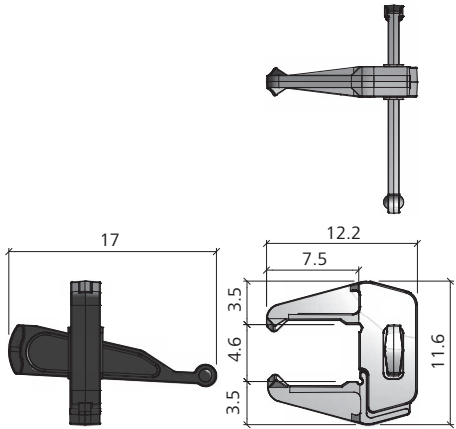
Wall formwork

EA assembly lock

Galvanized. Tightly connects and aligns AluFix and EcoAs panels. Clamping length 4.6 cm.

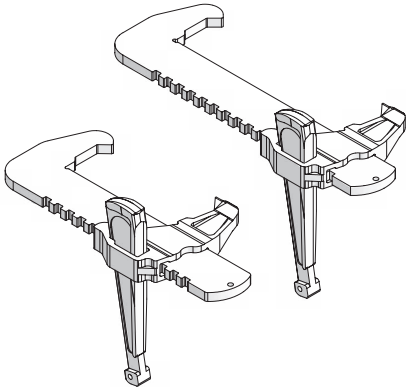


Ref.-No.	Description / Application	m ²	kg
29-205-50	EA assembly lock		1.37

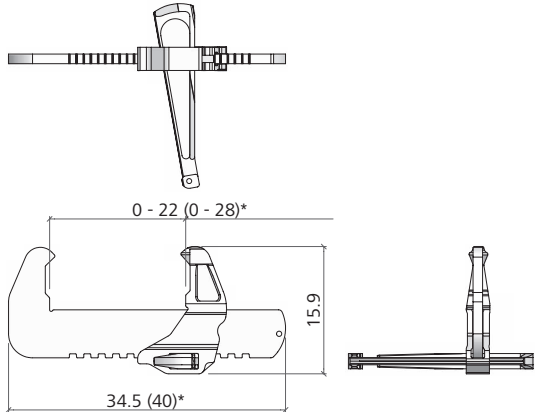


Uni-assembly lock

Galvanized. For stepless compensation. Clamping length 22 cm or 28 cm.



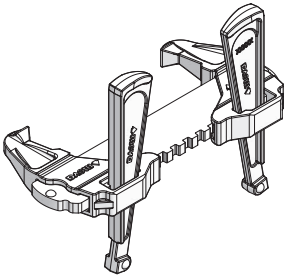
Ref.-No.	Description / Application	m ²	kg
29-400-85	Uni assembly lock 22		3.60
29-400-90	Uni assembly lock 28		3.90



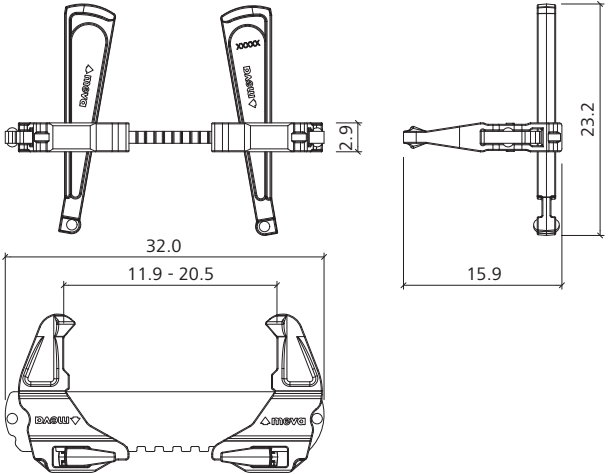
(...)* = 29-400-90

RS-assembly lock

Galvanized, For stepless length compensation. Clamping length is 11.9 to 20.5 cm for stepless compensation.



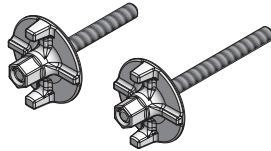
Ref.-No.	Description / Application	m ²	kg
23-807-70	RS assembly lock		4.70



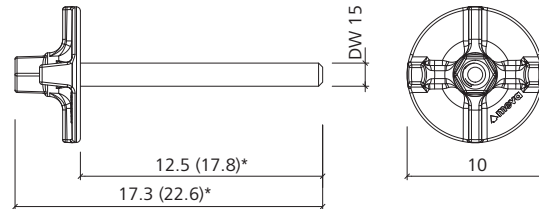
Wall formwork

Flange screw

Galvanized. DW thread \varnothing 15 mm. Is used to attach accessories, e.g. alignment rails, brace frames, push-pull props, etc. Length of thread 18 cm or 27 cm.



Ref.-No.	Description / Application	m ²	kg
29-900-70	Flange screw 12	0.97	0.97
29-401-10	Flange screw 18	1.05	1.05

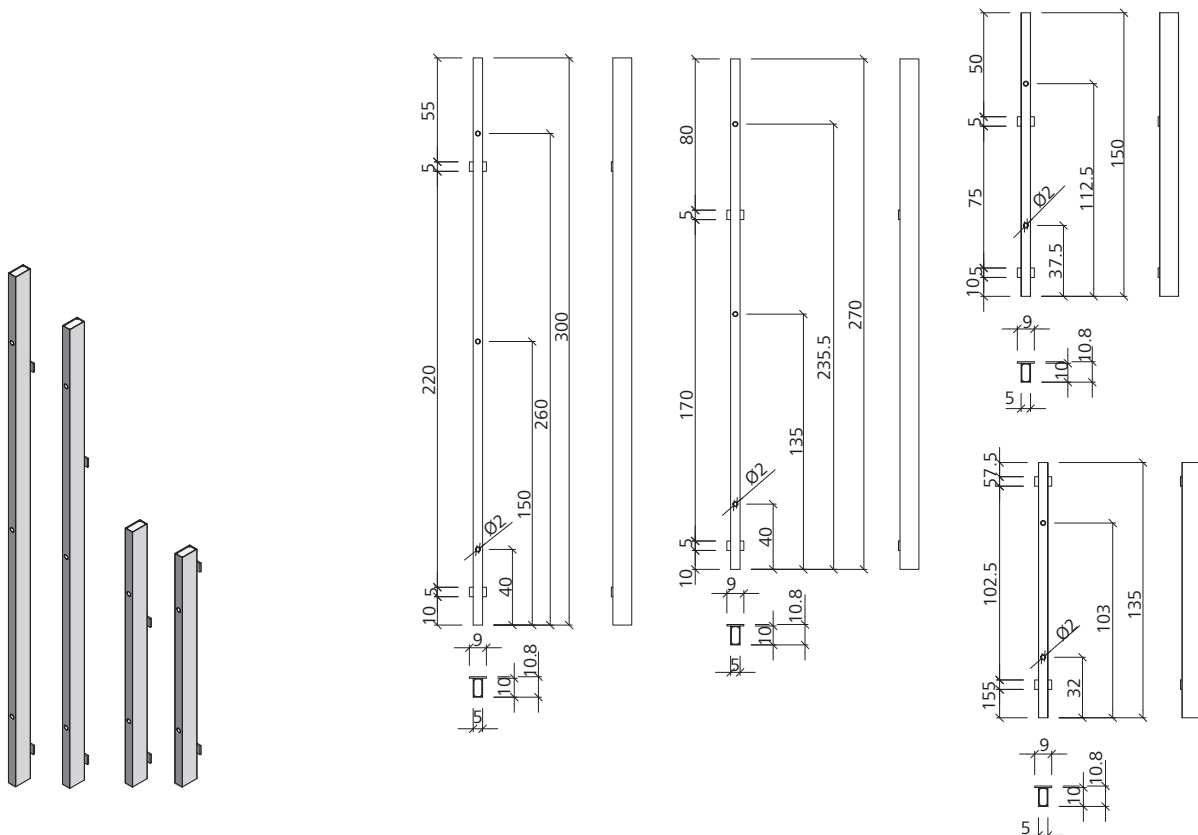


(...)* = 29-401-10

AluFix aluminium filler

Aluminium with high-quality powder coating. With tie holes. For length compensation of 5 cm, especially in corners. 2 or 3 Uni-assembly locks are required for each filler.

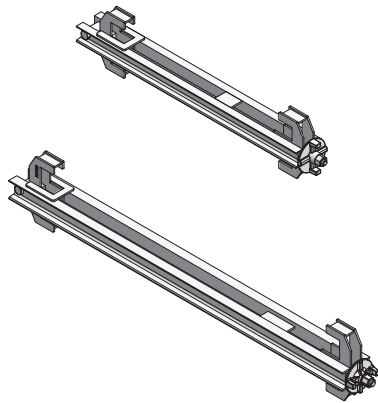
Ref.-No.	Description / Application	m ²	kg
22-155-15	AluFix aluminium filler 300/5	0.15	7.42
22-155-20	AluFix aluminium filler 270/5	0.14	6.71
22-155-35	AluFix aluminium filler 150/5	0.08	3.85
22-155-40	AluFix aluminium filler 135/5	0.07	3.50



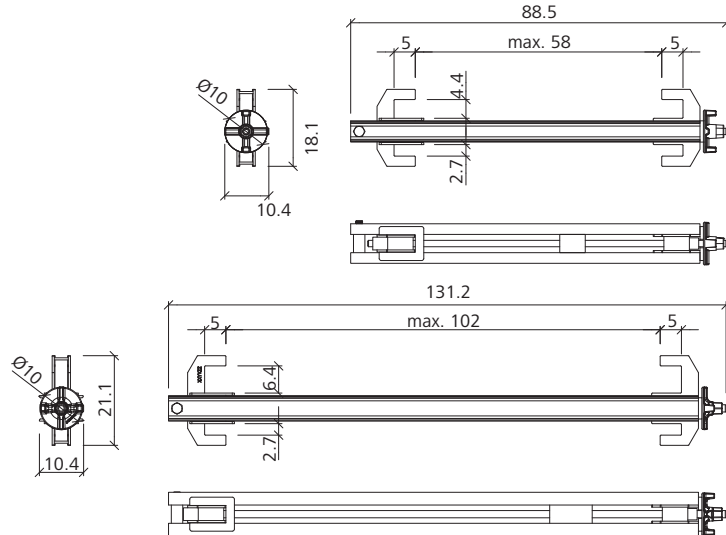
Wall formwork

Stop end bracket

Galvanized. Is used to form stop ends. Stop end bracket 23/40 for wall thickness up to 35. Stop end bracket 60/23 for wall thickness up to 75 cm.



Ref.-No.	Description / Application	m ²	kg
29-105-45	Stop end bracket 23/40		13.40
29-105-60	Stop end bracket 2.5' - 60/23		19.50



Plug D20

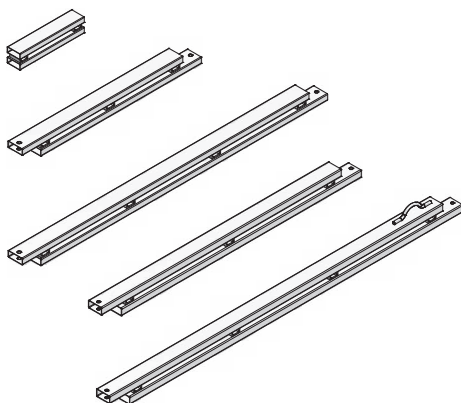
Is used to close unused tie holes (AluFix, EcoAs, AluStar and StarTec).



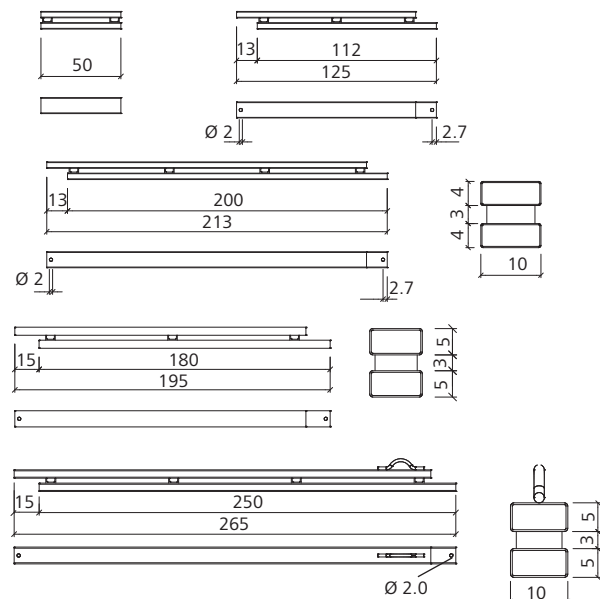
Ref.-No.	Description / Application	m ²	kg
29-902-63	Plug D20 red		
29-902-62	Plug D20 without imprint		

Alignment rail

Galvanized. Is used to brace panel joints for crane ganging, bridge problem areas, brace compensation areas and build stop ends with stop end fixtures. Is attached to the formwork with flange screws.



Ref.-No.	Description / Application	m ²	kg
29-201-73	AS alignment rail 50, galv.		5.05
29-201-75	AS alignment rail 125, galv.		10.67
29-201-80	AS alignment rail 200, galv.		18.50
29-400-92	M alignment rail 180, galv.		25.70
29-402-50	M alignment rail 250, galv.		36.27



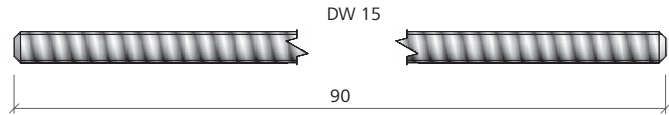
Wall formwork

Tie rod DW 15/90

Uncoated, not weldable. DW thread \varnothing 15 mm. Adm. load capacity 90 kN (DIN 18216). Is used to tie panels of a double-sided formwork.

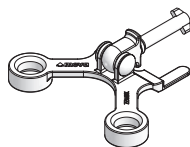


Ref.-No.	Description / Application	m ²	kg
29-900-80	Tie rod DW 15/90		1.25

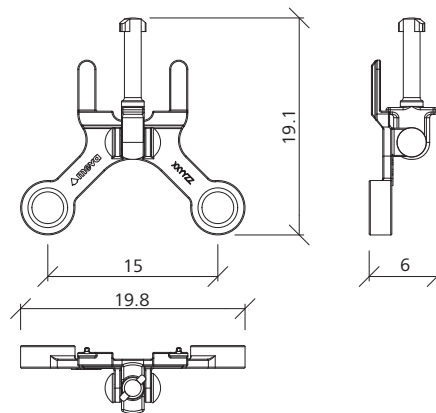


Tie rod fixture

Galvanised. To hold DW tie rods with articulated flange nut, XT tie rods or XT taper ties. Can be used with horizontal or vertical MEVA wall formwork panels.

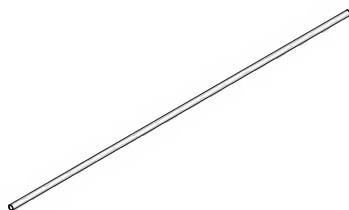


Ref.-No.	Description / Application	m ²	kg
29-927-05	Tie rod fixture \varnothing 35		1.20

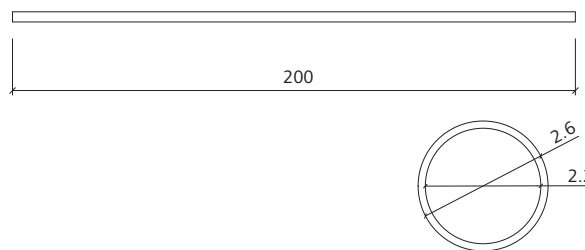


Plastic tube

Plastic spacer tube for tie holes. Two cones are also required per tie hole. Internal \varnothing 22 mm, external \varnothing 28 mm, standard length 2.00 m.

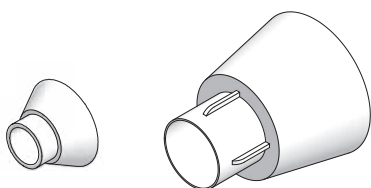


Ref.-No.	Description / Application	m ²	kg
29-902-30	Plastic tube D22/200		0.35

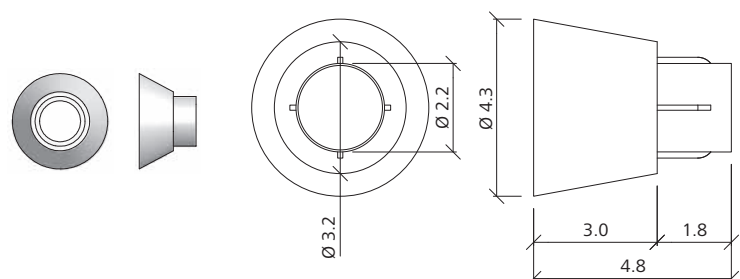


Cone for plastic tube

Available with 10 mm or 30 mm covering.



Ref.-No.	Description / Application	m ²	kg
29-902-40	Cone for plastic tube D22/10 (10 mm covering)		0.01
29-902-50	Cone for plastic tube D22/30 (30 mm covering)		



Wall formwork

Plug

Is used to close tie holes in the wall when plastic tubes D22 or D32 are applied. Two plugs are required per tie hole.

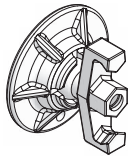


Ref.-No.	Description / Application	m ²	kg
29-902-70 Plug D22		

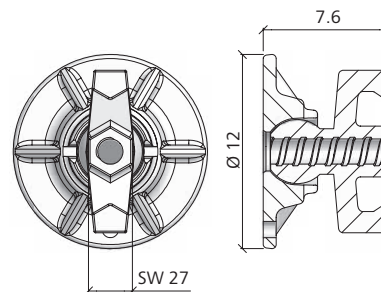


Articulated flange nut 15/120

Forged, galvanized. DIN 18218. DW thread Ø 15 mm, plate Ø 120 mm, max. inclination 10°, SW 27. Max. load capacity 90 kN. Reduces wear of panel coating.

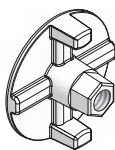


Ref.-No.	Description / Application	m ²	kg
29-900-10 Articulated flange nut 15/120		1.81

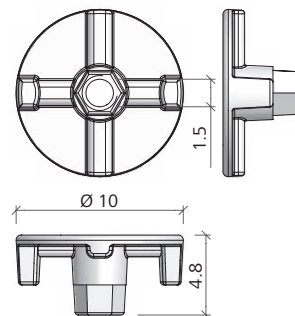


Flange nut 100

Forged, galvanized. For DW tie rods with 15 mm Ø. Plate Ø 100 mm, SW 27. Admissible load capacity 90 kN (DIN 18216).

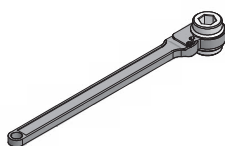


Ref.-No.	Description / Application	m ²	kg
29-900-20 Flange nut 100 (SW 27, forged)		0.68

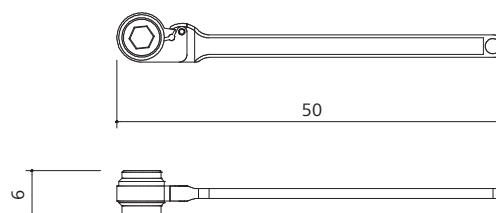


Spanner SW 27

Inset yellow chromated. Spanner width (SW) 27 mm. Is used to tighten and loosen flange nuts 100, articulated flange nuts 15/120 and flange screws.



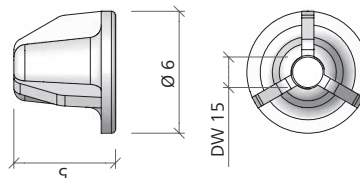
Ref.-No.	Description / Application	m ²	kg
29-800-10 Spanner SW 27		1.80



Wall formwork

Drive nut 60

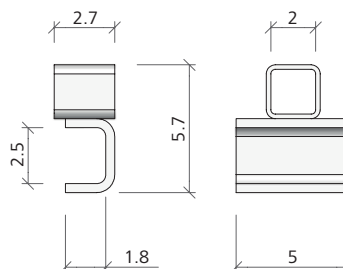
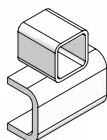
Galvanized. DW thread \varnothing 15 mm, plate \varnothing 60 mm. Adm. load capacity 90 kN (DIN 18216). Is used to tie the formwork to the ground or to a wall connection.



Ref.-No.	Description / Application	m ²	kg
29-900-23 Drive nut 60		0.50

Tie claw 23

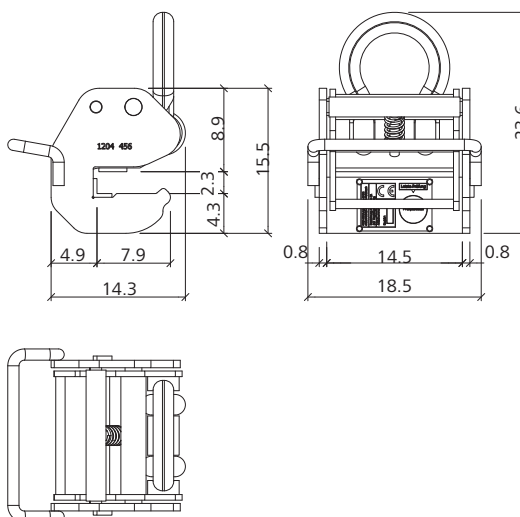
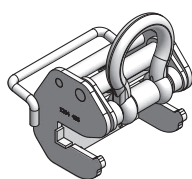
Galvanized. Permits tying (with tie rod DW 15 and flange nut 100) directly above or beside EcoAs and AluFix panels.



Ref.-No.	Description / Application	m ²	kg
29-901-44 Tie claw 23		0.17

EA/AF-Crane hook

Coated. Is used to move and crane-gang AluFix and EcoAs panels. Self-locking. Load capacity 6 kN (600 kg). Always two crane hooks required per gang. Refer to the crane hook Operating Instructions for application and safety test.

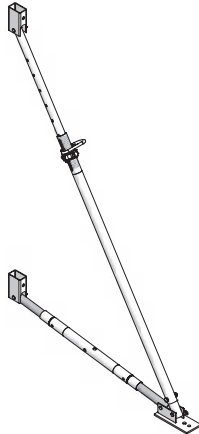


Ref.-No.	Description / Application	m ²	kg
29-103-05 EA/AF crane hook		5.89

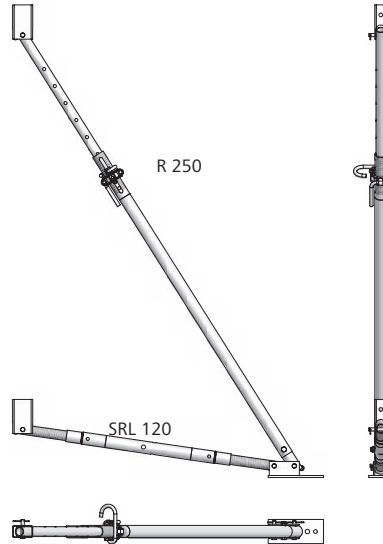
Wall formwork

Brace frame 250

Galvanized. Available with formwork-prop connector. Is used to align and brace the formwork. Consists of a push-pull prop R 250 (190 - 320 cm), a brace SRL 120 (90 - 150 cm) and a double-jointed footplate. The formwork-prop connectors are attached to the formwork with flange screws 18.

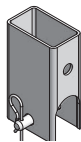


Ref.-No.	Description / Application	m ²	kg
29-109-20 Brace frame 250 with formwork-prop connector.....		33.20

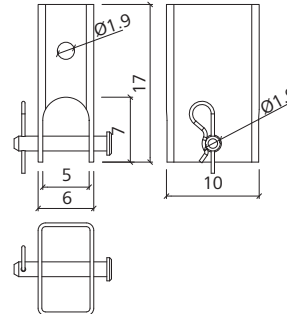


Formwork-prop connector

Galvanized. Connects braces, brace frames and push-pull props (max. Ø 48 mm) to the multi-function profile with a flange screw 18. Delivery includes head bolt 16/90 and cotter pin 4.

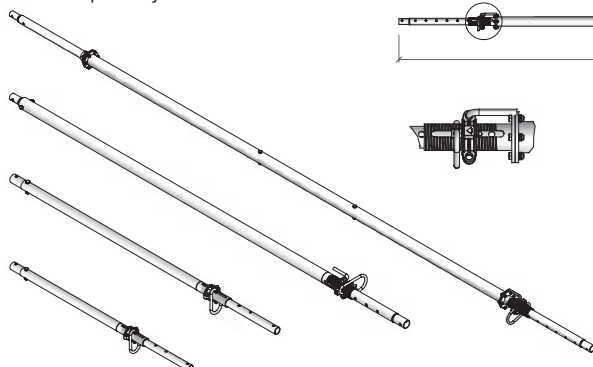


Ref.-No.	Description / Application	m ²	kg
29-804-85 Formwork-prop connector		1.60

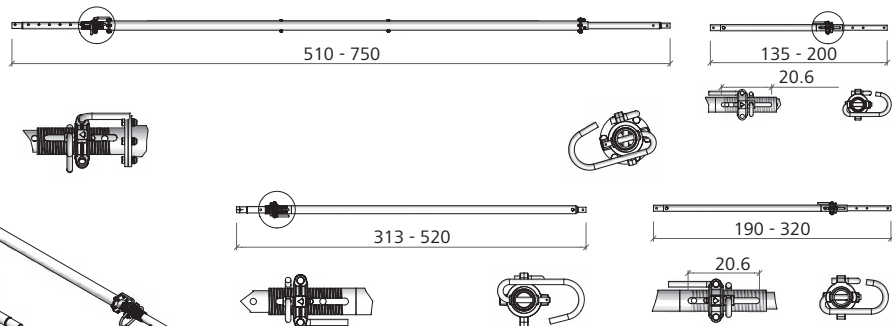


Push-pull prop R

Galvanized. Guarantee tensile and compression strength. Align and brace wall formwork. Length of thread 20.6 cm. Foot plates and formwork-prop-connectors to be ordered separately.



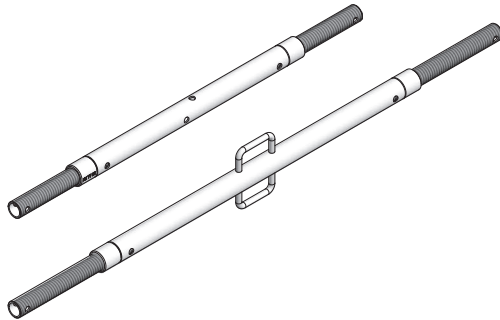
Ref.-No.	Description / Application	m ²	kg
29-109-40 Push-pull prop R 160.....(135-200).....		12.60
29-109-60 Push-pull prop R 250.....(190-320).....		17.20
29-109-80 Push-pull prop R 460.....(340-520).....		34.00
29-109-85 Push-pull prop R 630.....(510-760).....		57.00



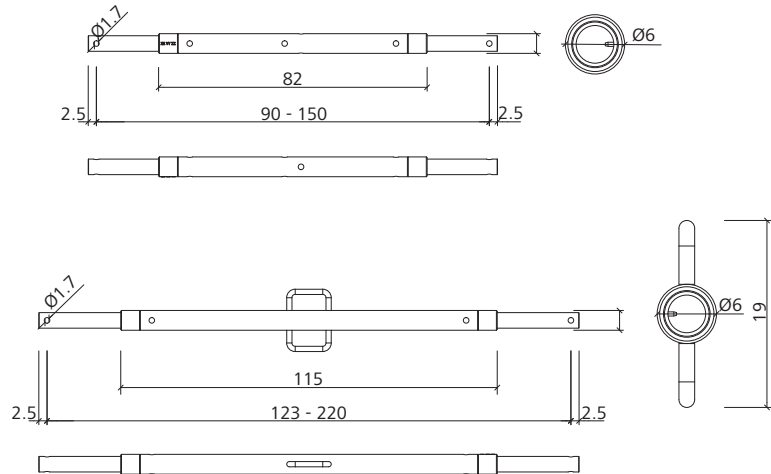
Wall formwork

Braces SRL

Galvanized. Guarantee tensile and compression strength. With right-hand and left-hand spindle and revolving centre part. Align and brace wall formwork. Foot plates and formwork-prop-connectors to be ordered separately.

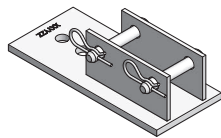


Ref.-No.	Description / Application	m ²	kg
29-108-80	Brace SRL 120 (90-150)		8.79
29-108-90	Brace SRL 170 (120-220)		11.50

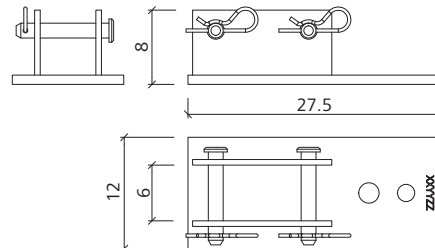


Foot plate

Galvanized. With head bolt 16/90 and cotter pin 4. Serves as foot plate for brace frames 250 and as connector for braces and push-pull props up to Ø 57 mm.

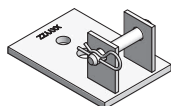


Ref.-No.	Description / Application	m ²	kg
29-402-32	Double-jointed foot plate (prop diam. up to 57 mm)		4.00

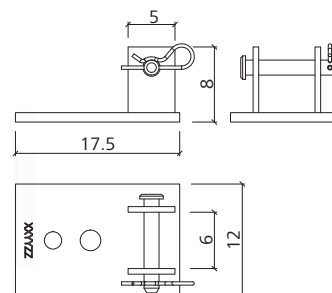


Articulated foot plate

Galvanized. With head bolt 16/90 and cotter pin 4. For push-pull props and braces of up to Ø 57 mm.



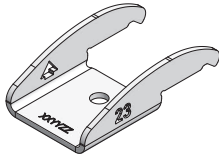
Ref.-No.	Description / Application	m ²	kg
29-802-48	Articulated foot plate (prop diam. up to 57 mm)		2.15



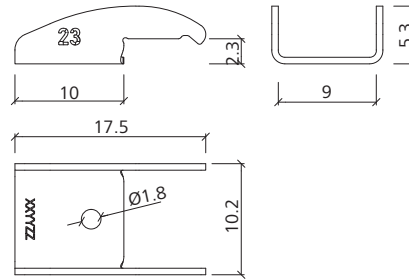
Wall formwork

Shoe plate 23

Made of steel, galvanised. For fixing the formwork to the ground and scuring against uplift. Used for panel frames with a profile thickness of 23 mm.



Ref.-No.	Description / Application	m ²	kg
23-311-97 Shoe plate 23.....		0.95

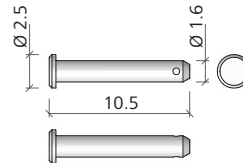


Head bolt 16/90

Galvanized. Is used to attach push-pull props and braces to foot plates and formwork-prop connectors.



Ref.-No.	Description / Application	m ²	kg
42-413-50 Head bolt 16/90, galv.....		0.17

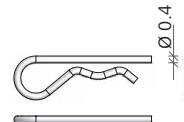


Cotter pin 4

Galvanized. Locks the head bolt.

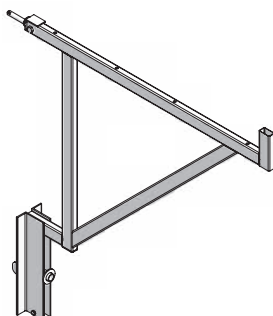


Ref.-No.	Description / Application	m ²	kg
62-010-04 Cotter pin 4.....		0.02

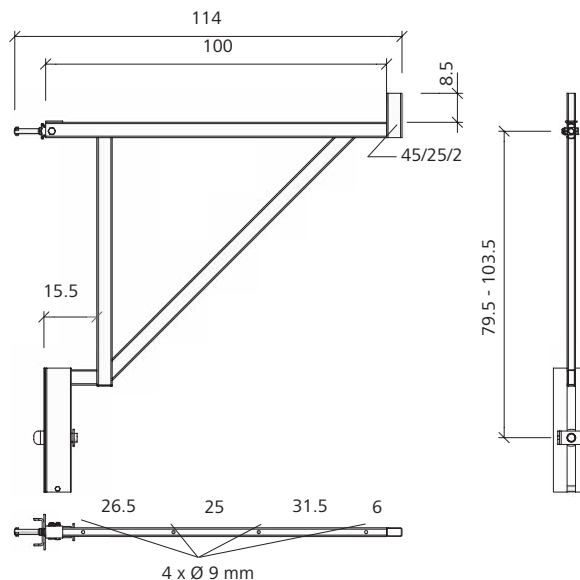


Walkway bracket

Galvanized, yellow, pluggable. Is used as working and safety scaffold. Is attached to the multi-function profile and secured to the multi-function profile below with a flange screw 18. The planking can be mounted to the brackets. Working width approx. 90 cm. MEVA Guardrailing post is also required. Bracket spacing depends on type of planking (DIN 4420).



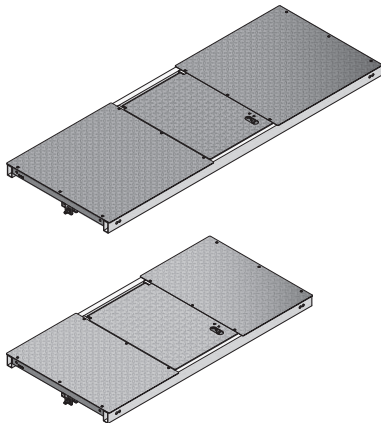
Ref.-No.	Description / Application	m ²	kg
29-106-00 Walkway bracket 90 (yellow), galv.....		10.30



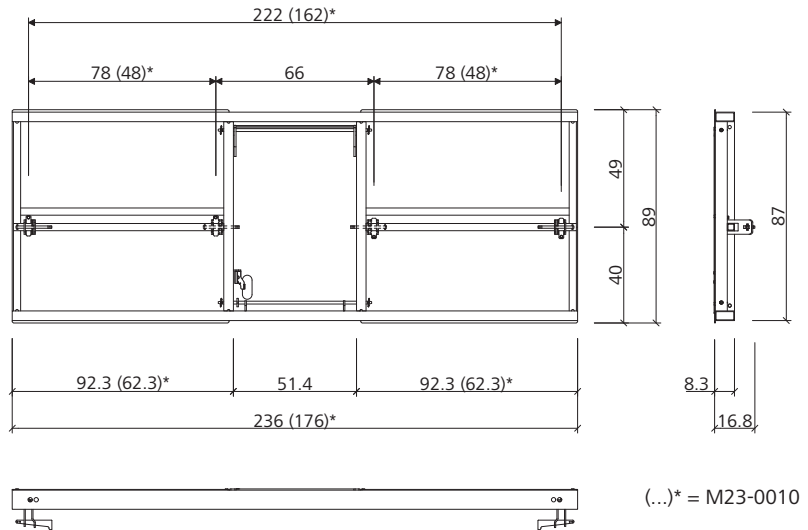
Wall formwork

Aluminium platform with access hatch

Flooring made of checkered aluminium sheet with access hatch. For use on walkway bracket 90. Wedge connection to secure the platform to the walkway bracket with an adjustment range of 78 cm (48 cm). Access using ladder fixture panel SB and telescopic ladder SB.

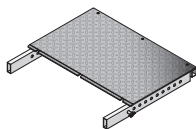


Ref.-No.	Description / Application	m ²	kg
M23-0012 Alu-Platform 2360x890 w. access hatch.....	47.30	
M23-0010 Alu-Platform 1760x890 w. access hatch.....	36.69	

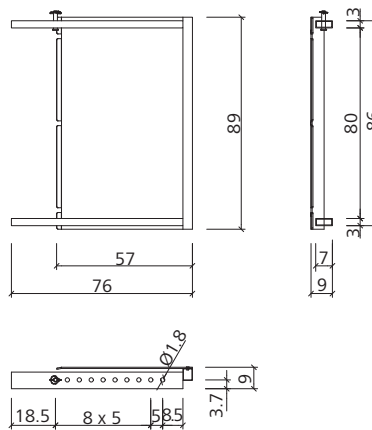


Aluminium platform extension 450

Flooring made of checkered aluminium sheet. For installation at the end of the aluminium platform. Enables extension/bridging/compensation up to a maximum of 45 cm.

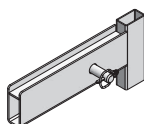


Ref.-No.	Description / Application	m ²	kg
M23-0014 Alu-Platform Extension 450.....	10.40	

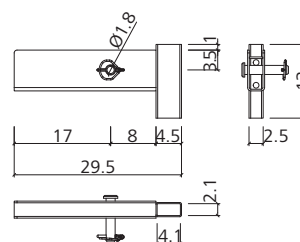


Aluminium platform side railing adapter

Steel, galvanized. For installation at the end of the aluminium platform. Enables the a MEVA guardrailing post to be inserted in order to produce protection against falling at the end faces.



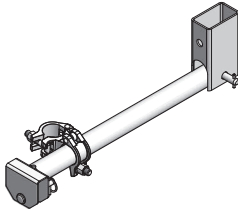
Ref.-No.	Description / Application	m ²	kg
M23-0013 Alu-Platform Side Railing Adaptor	1.55	



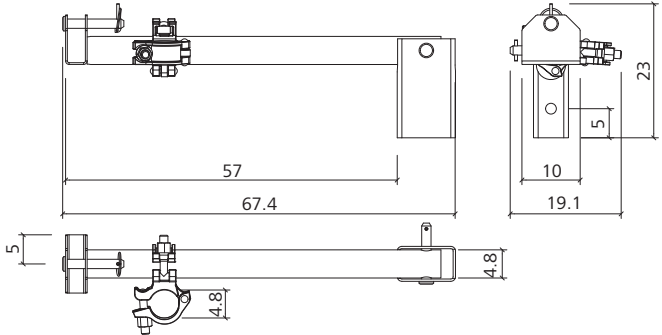
Wall formwork

Ladder fixture panel SB

Galvanized. Used to attach the telescopic ladder to the formwork panel. One flange screw 18 must be ordered separately.

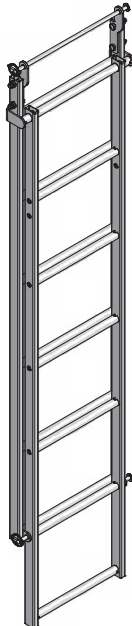


Ref.-No.	Description / Application	m ²	kg
29-603-80	Ladder fixture panel SB		5.30

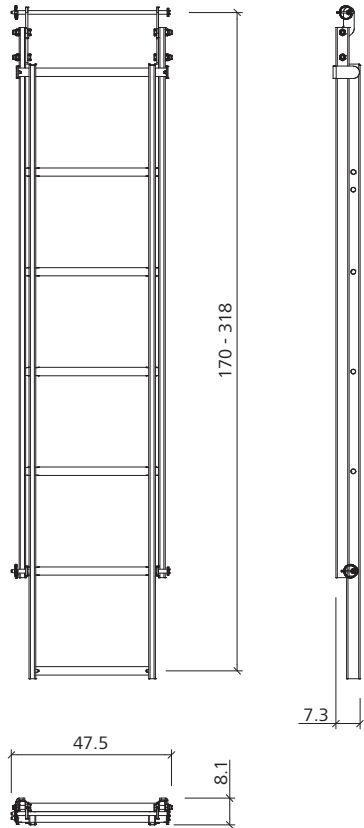


Telescopic ladder SB

Galvanized. For all aluminium platforms with hatch.



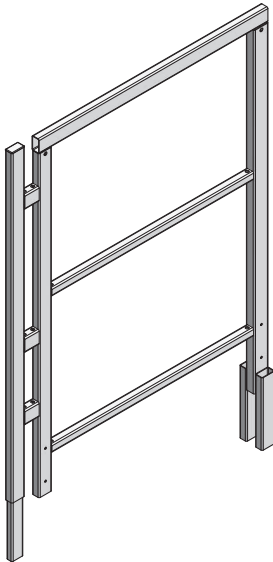
Ref.-No.	Description / Application	m ²	kg
29-603-45	Telescopic ladder 1700-3180 SB		22.40



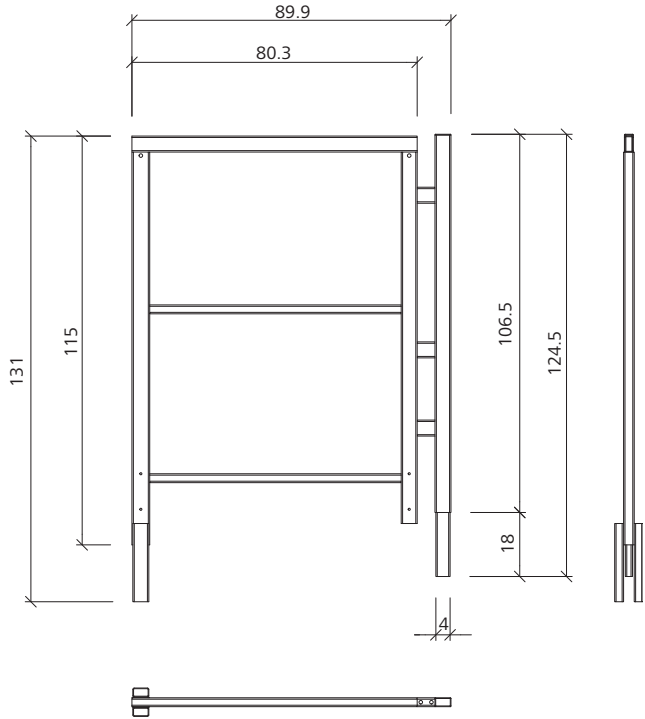
Wall formwork

Side railing

Galvanized. Is plugged into the walkway bracket.

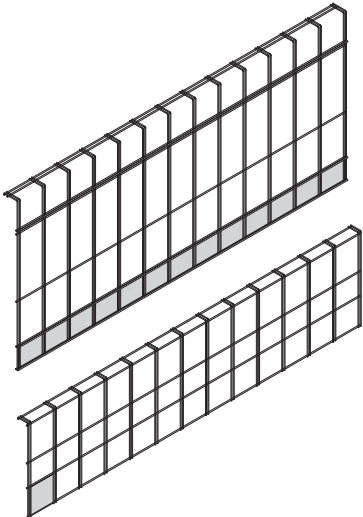


Ref.-No.	Description / Application	m ²	kg
29-108-20 Side railing 90/100, galv.		12.30

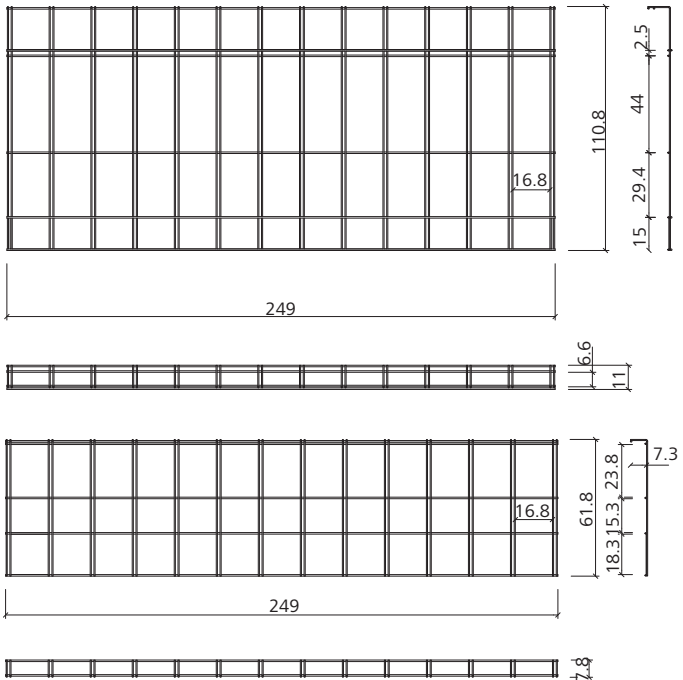


Safety mesh

Painted steel. Robust steel mesh with reinforced edges and closed steel sheet to prevent small items from falling down. The mesh replaces railings, toe board and net in one single part. DIN EN 13374 Class A.



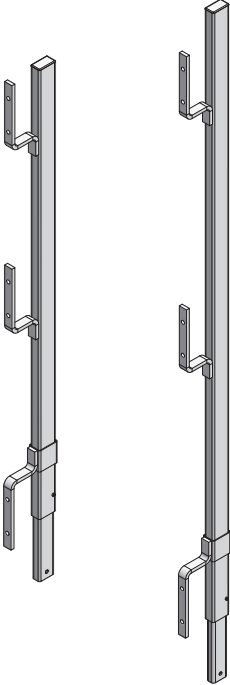
Ref.-No.	Description / Application	m ²	kg
29-920-00 Safety mesh 1100/2490		15.00
29-920-05 Safety mesh 600/2490		9.80



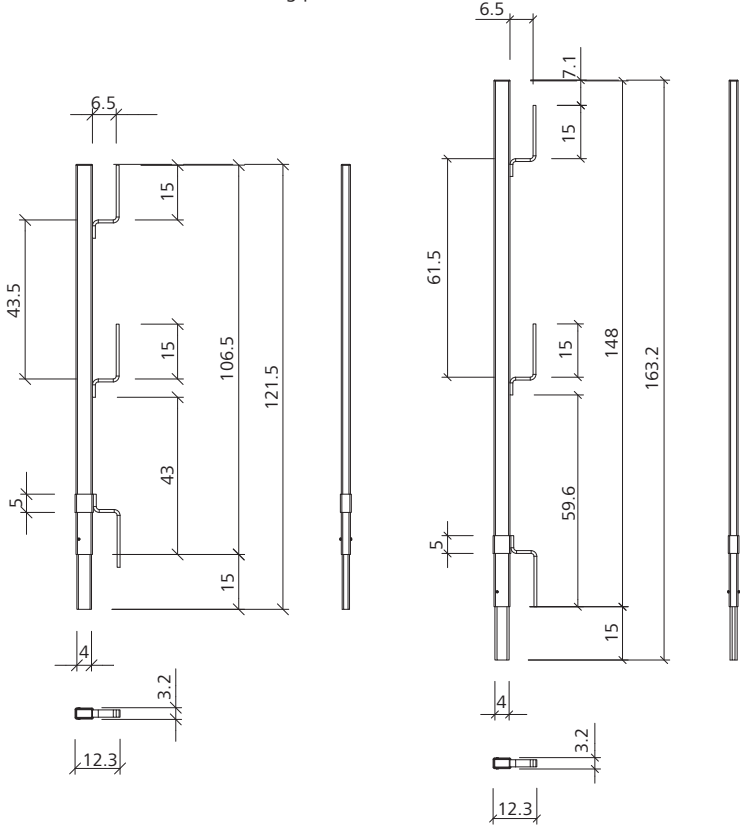
Wall formwork

Guardrailing post

Galvanized. Is plugged into the walkway bracket.



Ref.-No.	Description / Application	m ²	kg
29-106-75	Guardrailing post 100.....		3.70
29-106-85	Guardrailing post 140.....		4.70

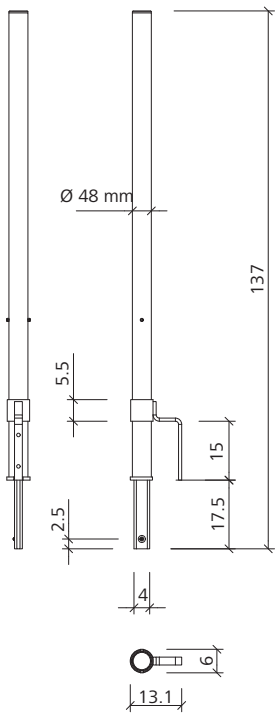


Guardrailing post 48

Galvanized. With manifold to be plugged into the walkway bracket and with 48 mm Ø tube to attach scaffold couplers.



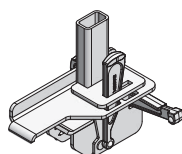
Ref.-No.	Description / Application	m ²	kg
29-106-80	Guardrailing post 48/120 (UK).....		5.50



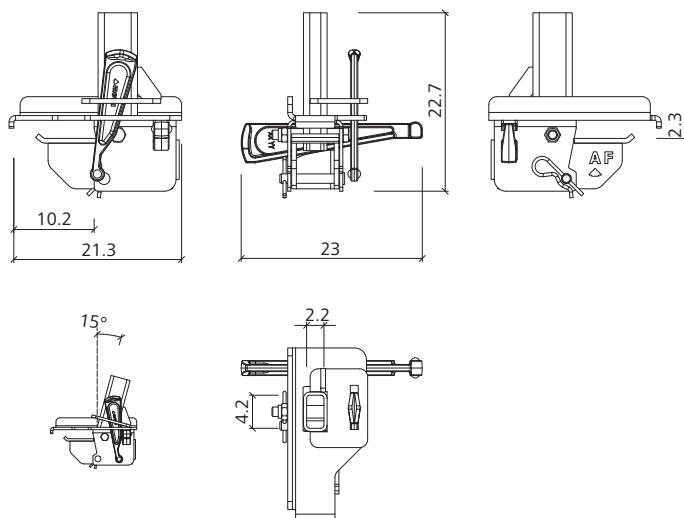
Wall formwork

Tilting bracket 23

Galvanised. Used to attach MEVA guardrailing posts to create a fall protection system. It can be set up vertically to facilitate the installation of safety meshes or railing boards or inclined by 15° to create a larger working area. Secured with a wedge to the frame profile of 23 mm.

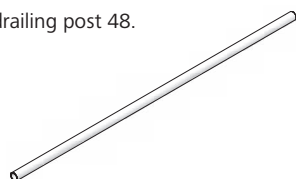


Ref.-No.	Description / Application	m ²	kg
29-920-84	Tilting bracket 23		4.90



Scaffold tube

Galvanized. Is used as hand-rail / mid-rail in combination with guardrailing post 48.



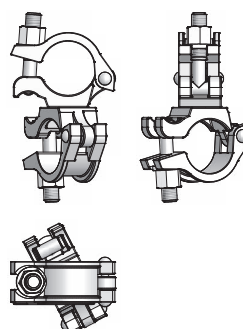
Ref.-No.	Description / Application	m ²	kg
29-412-23	Scaffold tube 48/200		9.40
29-412-26	Scaffold tube 48/300		14.10
29-412-27	Scaffold tube 48/400		18.80
29-412-25	Scaffold tube 48/500		23.50
29-412-28	Scaffold tube 48/600		28.20

Swivel-joint coupler 48/48

Galvanized. Connects 2 scaffold tubes with Ø 48.3 mm at any angle required.



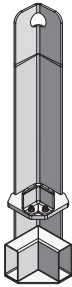
Ref.-No.	Description / Application	m ²	kg
29-412-52	Swivel-joint coupler 48/48		1.20



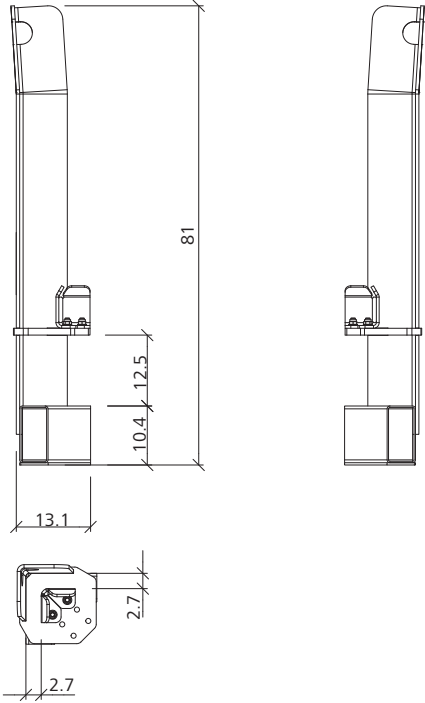
Wall formwork

Stacking Angle 60/40/23

Steel, galvanized. Used to stack and transport two to five wall formwork panels of the same size with frame profile widths of 60 mm, 40 mm or 23 mm. Four stacking angles 60/40/23 are required for each panel stack. The permissible load capacity per stacking angle is 15 kN (1.5 t). Refer to the stacking angle Operating Instructions for application and safety test.

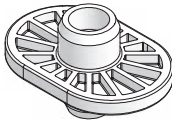


Ref.-No.	Description / Application	m ²	kg
29-305-45	Stacking angle 60/40/23		9.60



Safety plug stacks

Plastic, black. Secures stacked AluFix, EcoAs, AluStar and StarTec panels.



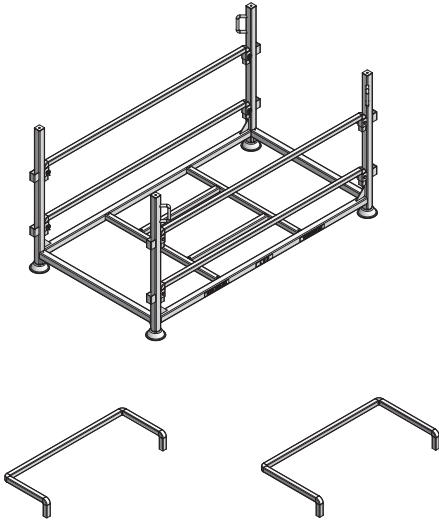
Ref.-No.	Description / Application	m ²	kg
40-131-10	Safety plug AS/ST stacks, black		0.04

Wall formwork

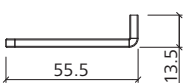
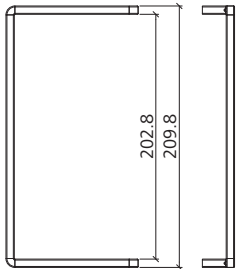
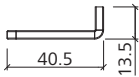
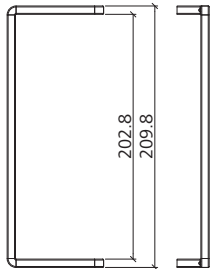
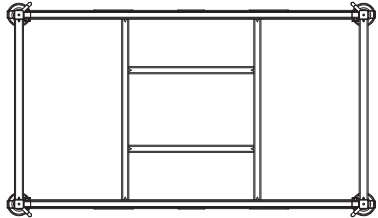
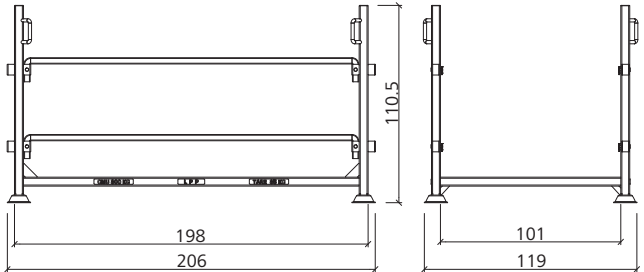
Eco stacking rack for panels

Made of steel, galvanized. The rack is used to stack formwork panels (placed vertically, side by side) and is provided with crane eyes. For 10 panels with a profile height of 10 cm or 8 panels with a profile height of 12 cm.

4 retaining brackets 270/405 are used for panel height 270 cm. 4 retaining brackets 300/555 are used for panel height 300 cm



Ref.-No.	Description / Application	m ²	kg
29-132-70	MEVA-Eco stacking rack for panels	85.00	
29-132-72	Eco retaining bracket 270/405	2.00	
29-132-74	Eco retaining bracket 300/555	3.00	





MEVA Schalungs-Systeme GmbH

Industriestrasse 5 Tel. +49 7456 692-01
72221 Haiterbach Fax +49 7456 692-66
Germany info@meva.net
www.meva.net