

Support frame

Product list

Please note

This product list includes all parts necessary for most applications. For parts required for special applications, please refer to the MEVA price list. Dimensions are in centimetres (cm) unless another measure is shown.

Contents

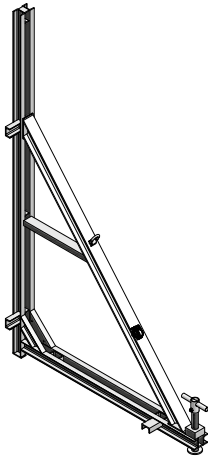
Access hatch KLK.....	64	Rigid coupler 48/48	58
Adapter for swivel-type castor STB 450.....	75	Safety cage.....	66
Adjustable spanner	71	Scaffold tube	57
Anchor loop	69	Side railing.....	63
Anchor support DW 15 - DW 26.5.....	67	Single anchor DW.....	67
Articulated flange nut.....	73	Spanner SW 36.....	73
Base extension 300/200.....	52	Spiral anchor DW 15/100.....	71
Bolt-on coupler 48/M14	58	Spiral spring.....	72
Brace bracket 80.....	79	STB-base extension	57
Brace bracket SK 150.....	78	STB base extension 57	55
Brace SRL.....	79	STB compensation rail	54
Clamping device for stop end bracket SB 110	60	STB fixing screw.....	54
Counter plate	74	STB height extension 50	55
Coupling nut.....	70	STB-height extension 150	57
Cross beam 300.....	53	STB panel support.....	55
Cross brace STB	62	STB Special connector.....	56
Double anchor DW	68	STB Special connector.....	81
Double-headed ground nail 25/480	80	Stop end bracket SB 110.....	60
Extension ladder 210	64	Support bracket STB 450	75
Fix anchor.....	70	Support frame 300 Plus	54
Fixing screw 35/DW15	59	Support frame STB 300.....	52
Flange nut 100	73	Support frame STB 450	56
Flange screw.....	61	Support frame STB 450 for mobile unit.....	56
Flange screw 12.....	80	Swivel-joint coupler 48/48	58
Front railing post retractable STB 450	82	Swivel-type castor 2 tons	77
Guardrailing post	63	Swivel-type castor 6 tons	77
Hexagonal nut.....	74	Telescopic ladder SB.....	65
Horizontal girder STB 450 SB	81	Tie rod DW	68
Horizontal girder STB-Extension 150 SB	81	Toe board holder STB SB	82
Joint coupler 48/48 SW 22.....	58	Toe board STB 480 SB.....	83
Ladder	64	Toe board STB 1290 SB.....	83
Ladder connector	66	Toe board STB 2470 SB.....	83
Ladder fixture 33/45	66	Triplex SB.....	59
M alignment rail	61	Trolley bracket STB 450.....	74
M-cross stiffener 44.....	53	Trolley spindle 48/70.....	76
Planing cap DW	71	Trolley waler	75
Plastic tube.....	70	Tube connector 48.....	59
Positioning support SK.....	78	Twin channel	69
Pressure gauge	80	Upstand bracket	72
Push-pull prop R	79	Walkway bracket.....	62
Quick anchor	72	Wheel adapter for trolley waler	76
Quick-anchor holder	72	Wobble anchor DW 26.5/80	69
Remover for soil nail	80		

Support frame

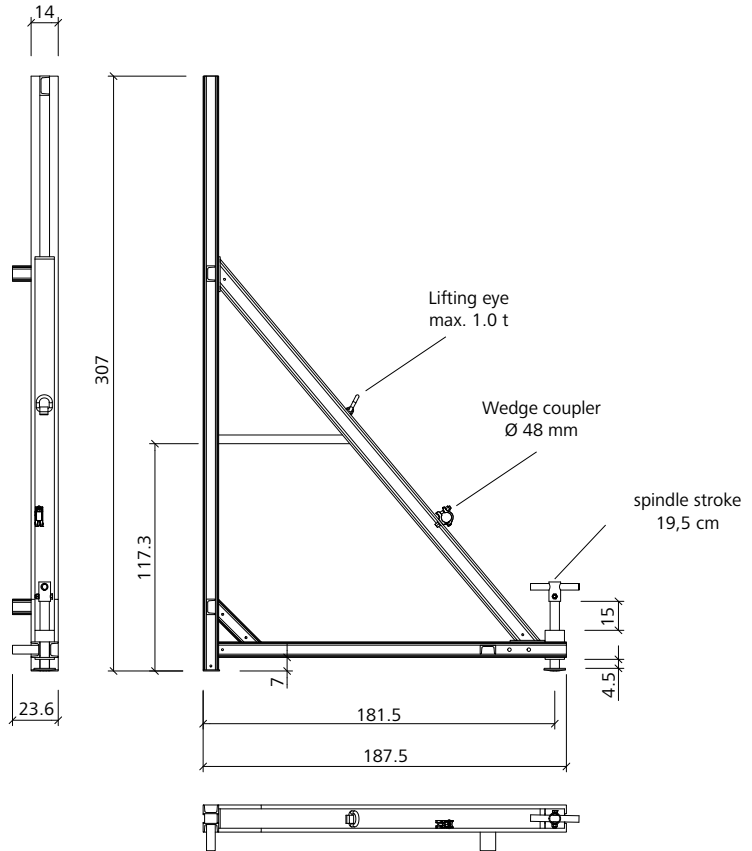
STB

Support frame STB 300

Sturdy steel construction, coated: Height 3.00 m. Is used to brace single-sided wall formwork up to a pouring heights of 330 cm. A spindle allows for the precise plumb-vertical positioning of the formwork.

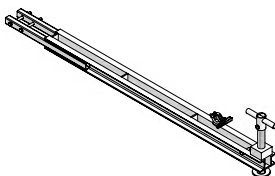


Ref.-No.	Description / Application	m ²	kg
29-402-62 Support frame STB 300		169.0

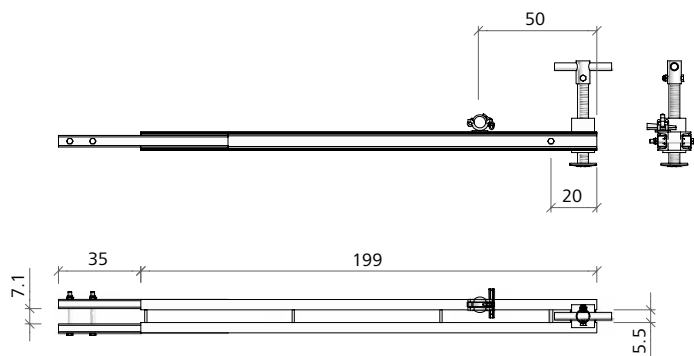


Base extension 300/200

Coated. Supplements the support frame STB 300 for special applications, which require a detailed planning and static calculation by MEVA engineers.



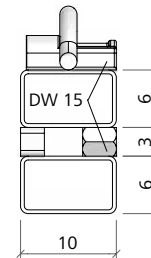
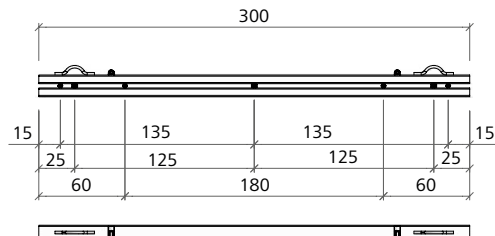
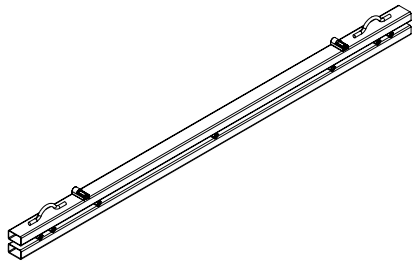
Ref.-No.	Description / Application	m ²	kg
29-402-64 Base extension STB 300/200		53.2



Support frame

Cross beam 300

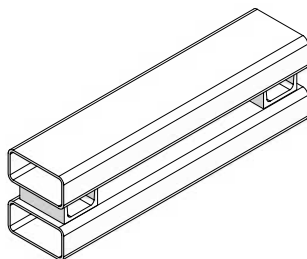
Coated. Links formwork in vertical position and support frames with flange screws. Allows to build transport units. Welded-in nuts guarantee a support frame spacing adapted to MEVA wall formwork systems.



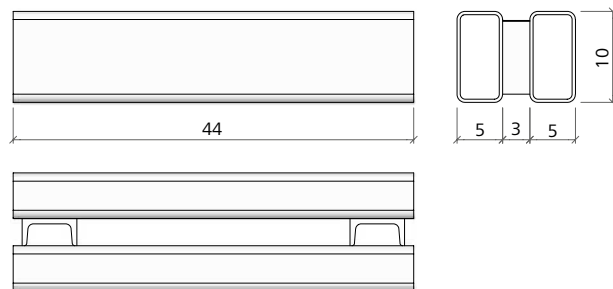
Ref.-No.	Description / Application	m ²	kg
29-403-05	Cross beam 300		60.0

M-cross stiffener 44

Galvanized. In connection with support frames STB 300 it is used as a tie-beam to transfer the load from the support frame into the anchoring loops.



Ref.-No.	Description / Application	m ²	kg
29-401-02	M-Cross stiffener 44		6.3

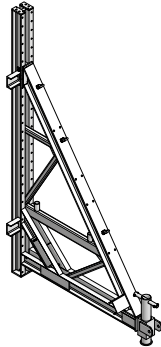


Support frame

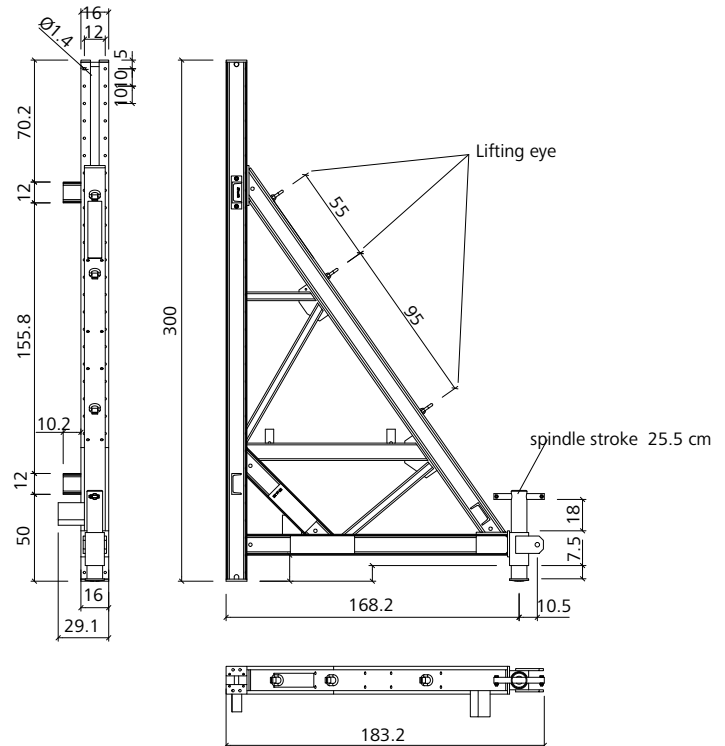
STB

Support frame 300 Plus

Painted steel; for single-sided walls up to 3.30 m. A spindle allows the formwork to be exactly aligned vertically. In conjunction with STB height extension 50 and STB base extension 57, a pouring height of 4.50 m is possible

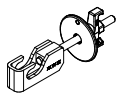


Ref.-No.	Description / Application	m ²	kg
29-402-60	Support frame 300 Plus		283.7

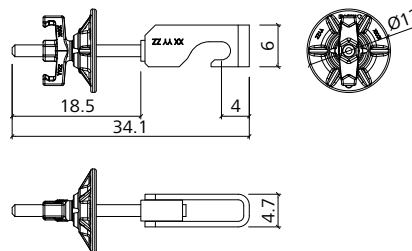


STB fixing screw

Painted steel; connects the STB compensation rail to the STB height extension 50 or the support frame 300 Plus.



Ref.-No.	Description / Application	m ²	kg
29-401-19	STB fixing screw		1.8

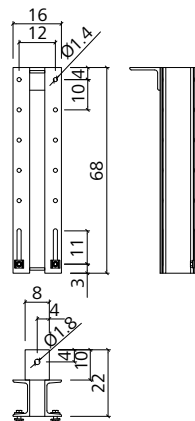


STB compensation rail

Painted steel; bolted to the STB height extension 50 or support frame 300 Plus with the STB fixing screw so that this can be attached to the slab with anchor dowels.



Ref.-No.	Description / Application	m ²	kg
29-402-66	STB compensation rail		19.5

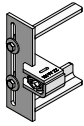


Support frame

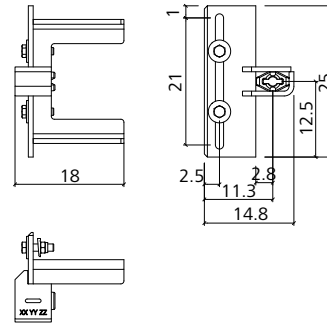
STB

STB panel support

Painted steel; attached below a cross stiffener of the formwork panels. To attach and support a walkway bracket on the support frame 300 plus.

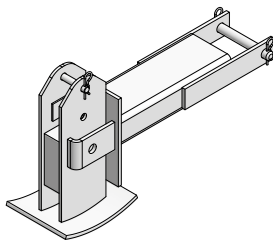


Ref.-No.	Description / Application	m ²	kg
29-402-68	STB panel support		3.9

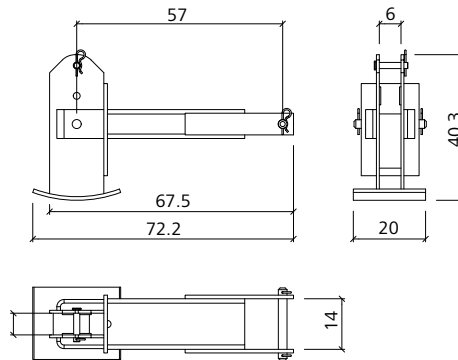


STB base extension 57

Painted steel; used for the single or multiple backward extension of the support frame 300 Plus and for the attachment of push-pull prop or Triplex.

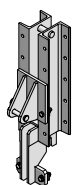


Ref.-No.	Description / Application	m ²	kg
29-402-69	STB base extension 57		28.5

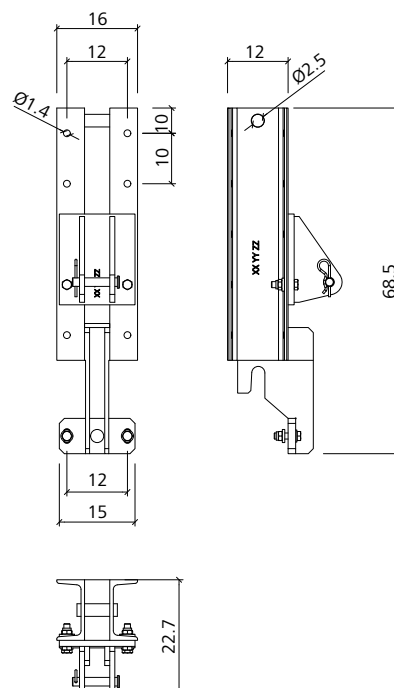


STB height extension 50

Painted steel; used to increase the height of the support frame 300 Plus; only in connection with push-pull prop or Triplex and STB base extension 57.



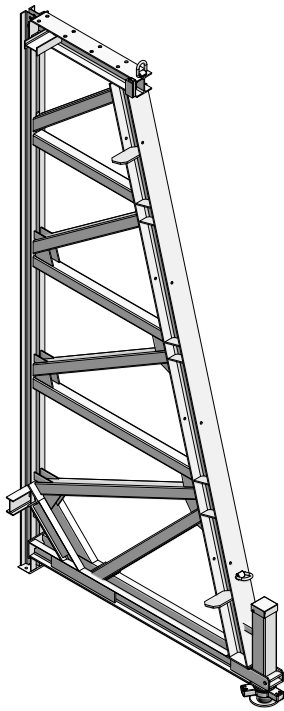
Ref.-No.	Description / Application	m ²	kg
29-402-63	STB height extension 50		23.2



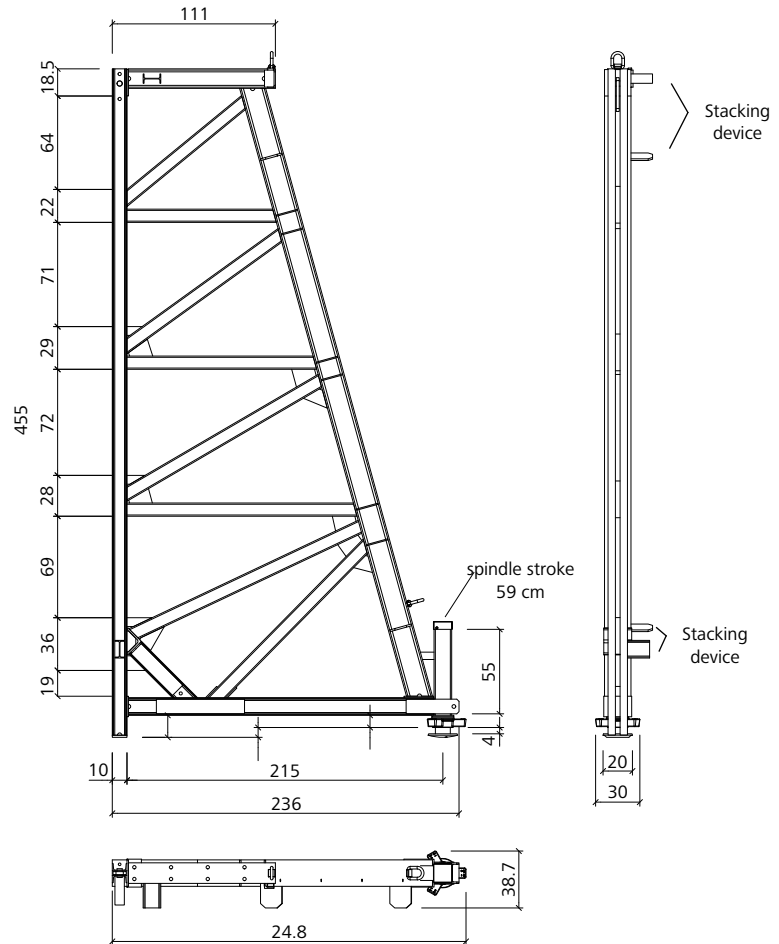
Support frame

Support frame STB 450

Sturdy steel construction, coated, height 4.50 m. To brace single-sided wall formwork up to a pouring height of 5.00 m. A spindle allows to set the formwork plumb.



Ref.-No.	Description / Application	m ²	kg
29-406-00	Support frame STB 450	624.0	



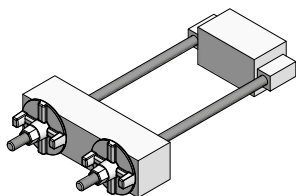
Support frame STB 450 for mobile unit

Not shown. The support frame STB 450 for mobile unit is equipped with an additional steel plate so it can be distinguished from other support frames. The steel plate is in signal colour.

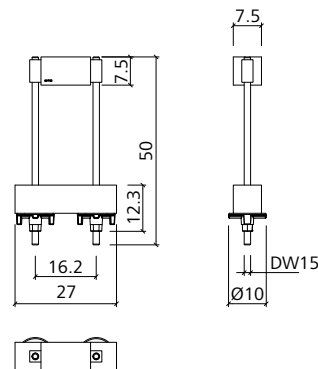
Ref.-No.	Description / Application	m ²	kg
29-406-02	Support frame STB 450 for mobile unit	828.0	

STB Special connector

Steel. Used to connect the support frame STB 450 to the STB extension 150 and also to connect the STB extensions 150 to each other when the aluminium platform M 2470 SB with access hatch (29-600-15) is used.



Ref.-No.	Description / Application	m ²	kg
29-406-87	STB Special connector	21.3	

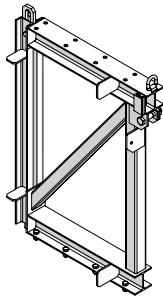


Support frame

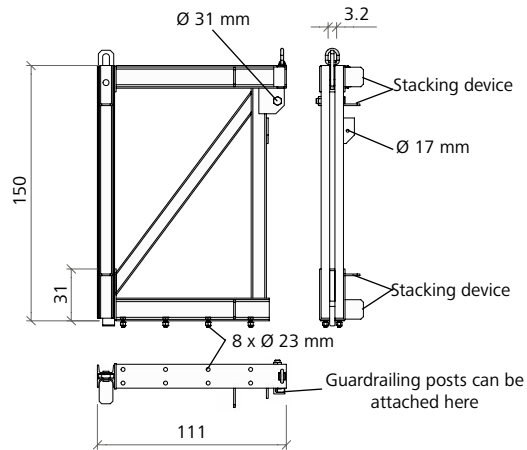
STB

STB-height extension 150

Coated. Height 1,50 m. Extends support frame STB 450 by 1,50 m (one or several times). Pouring heights of 7,50 m (or higher) also require Triplex SB braces and base extensions. The required connecting devices are included in the delivery. Pouring heights exceeding 7,50 m also require Triplex SB braces and base extensions – all necessary connectors are included in the delivery. The height extension is attached to the support frame or to another height extension by 8 screws M20 which are part of the delivery. The crane eye has an admissible load bearing capacity of 3,2 tonnes.

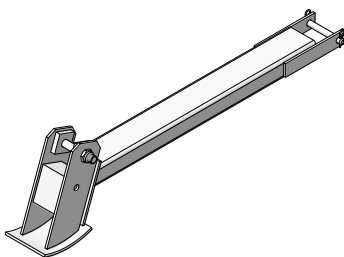


Ref.-No.	Description / Application	m ²	kg
29-406-10 Height extension STB 150		119.0

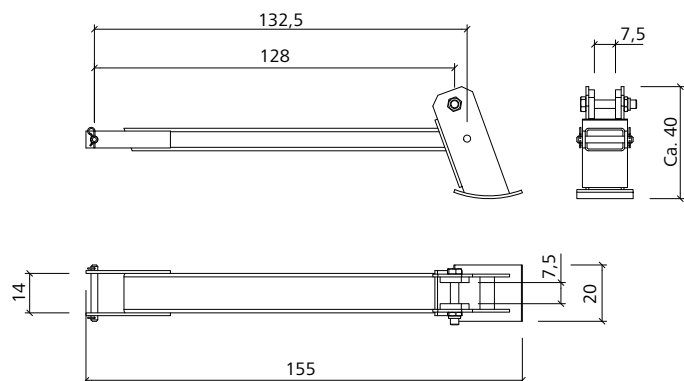


STB-base extension

Coated. Is used for the one-time or -multiple backward extension of support frame STB 450 and for the attachment of Triplex SB braces.

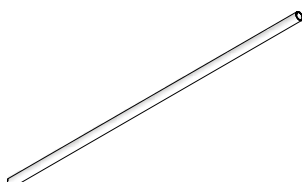


Ref.-No.	Description / Application	m ²	kg
29-406-20 Base extension STB 450.....		40.0



Scaffold tube

Galvanized. Is used to reinforce large-size units of support frames or climbing systems for transport.

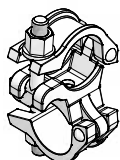


Ref.-No.	Description / Application	m ²	kg
29-412-23 Scaffold tube 48/200.....		9.4
29-412-26 Scaffold tube 48/300.....		14.1
29-412-27 Scaffold tube 48/400.....		18.8
29-412-25 Scaffold tube 48/500.....		23.5
29-412-28 Scaffold tube 48/600.....		28.2

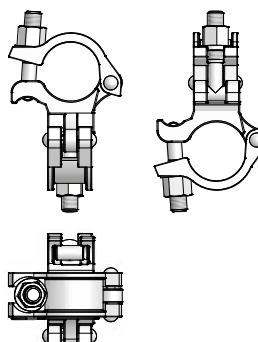
Support frame

Rigid coupler 48/48

Galvanized. Connects 2 scaffold tubes with Ø 48.3 mm at an angle of 90°. SW 22.



Ref.-No.	Description / Application	m ²	kg
29-412-50	Rigid coupler 48/48		1.1

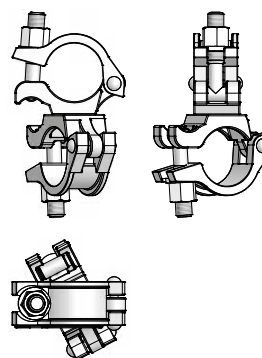


Swivel-joint coupler 48/48

Galvanized. Connect 2 scaffold tubes with Ø 48.3 mm at any angle required.

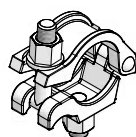


Ref.-No.	Description / Application	m ²	kg
29-412-52	Swivel-joint coupler 48/48		1.2

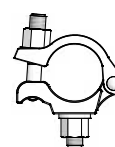


Bolt-on coupler 48/M14

Galvanized. Permits the attachment of scaffold tubes with Ø 48.3 mm to support frames, climbing brackets, etc.

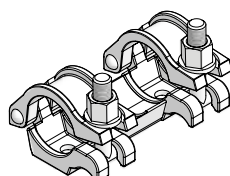


Ref.-No.	Description / Application	m ²	kg
40-080-70	Bolt-on coupler 48/M14		0.6

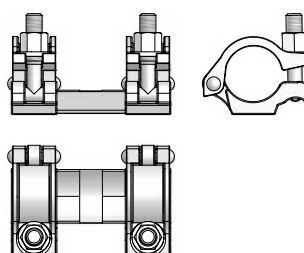


Joint coupler 48/48 SW 22

Galvanized. Is used together with a tube connector 48 to attach scaffold tubes with Ø 48.3 mm at tube joints.



Ref.-No.	Description / Application	m ²	kg
29-412-55	Joint coupler 48/48 (SW 22)		1.4

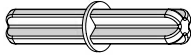


Support frame

STB

Tube connector 48

Galvanized. Is required for joint coupler 48/48 and used to reinforce the joint of 2 tubes.

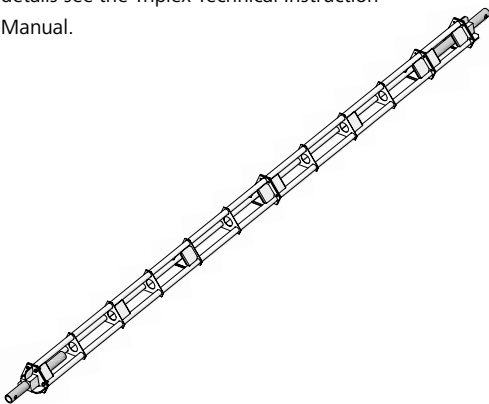


Ref.-No.	Description / Application	m ²	kg
29-412-57 Tube connector 48		1.1

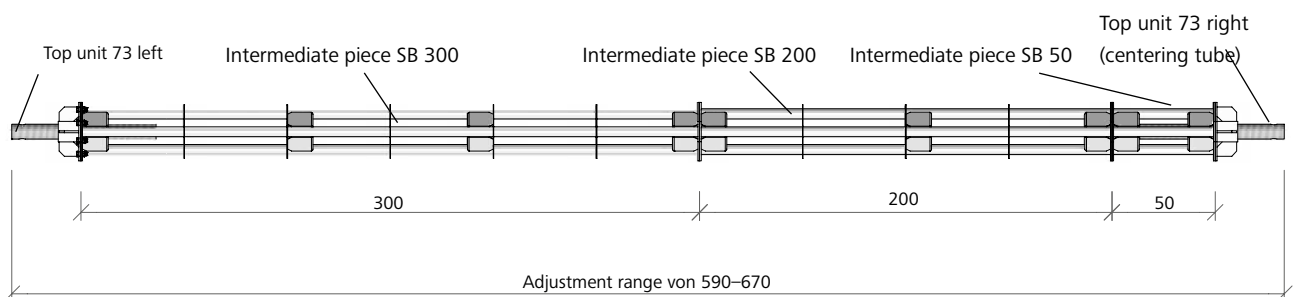


Triplex SB

Galvanized. Provides together with the base extension the required additional support for concreting heights of 7.50 m (or higher). For details see the Triplex Technical Instruction Manual.

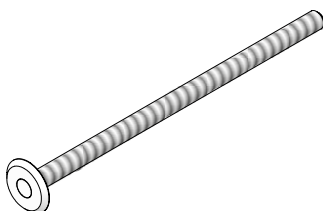


Ref.-No.	Description / Application	m ²	kg
29-407-15 Triplex SB 300 (right-hand thread)		71.0
29-407-17 Triplex SB 300 (left-hand thread)		71.0
29-407-30 Triplex intermediate piece SB 50		15.2
29-407-35 Triplex intermediate piece SB 100		22.1
29-407-40 Triplex intermediate piece SB 200		37.7
29-407-45 Triplex intermediate piece SB 300		53.3
29-407-25 Top unit 73 (left-hand thread)		19.0
29-407-20 Top unit 73 (right-hand thread)		19.0

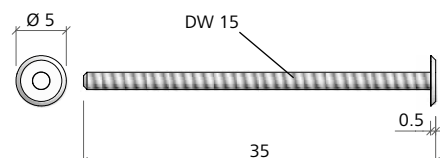


Fixing screw 35/DW15

Galvanized. Is used to attach a support frame to the tie holes of panels in horizontal position. A flange nut 100 or an articulated flange nut 15/120 is required.



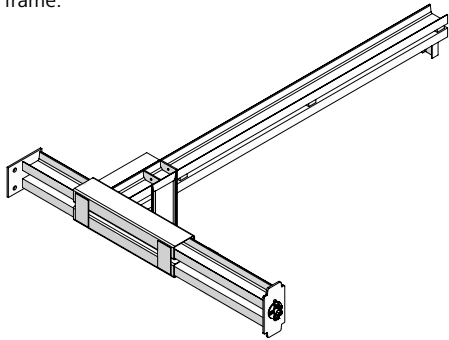
Ref.-No.	Description / Application	m ²	kg
29-401-20 Fixing screw 35/DW15		0.6



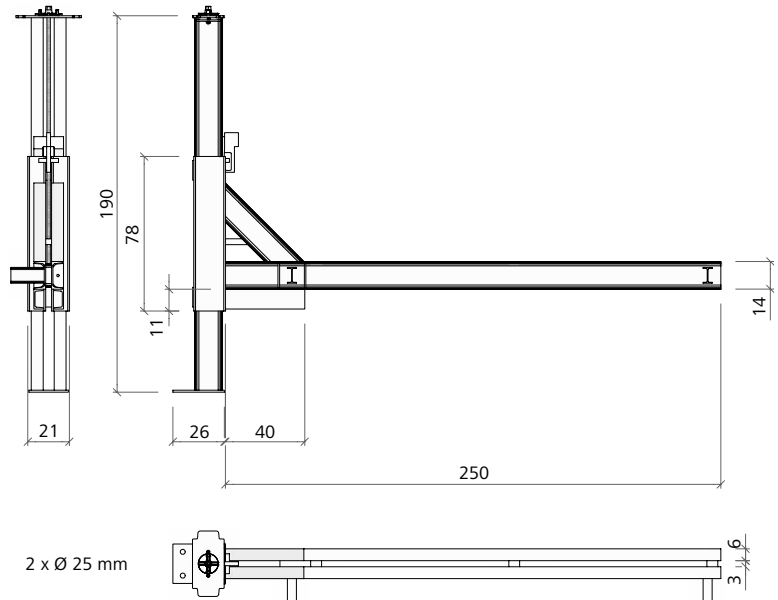
Support frame

Stop end bracket SB 110

Coated. Is used to form stop ends when the pouring height exceeds 4.00 m. For max. wall thickness 1.10 m. A clamping device for stop end brackets SB 110 (or a tie rod DW 15 with a length of 45 cm) is required to attach the stop end bracket SB 110 to the support frame.

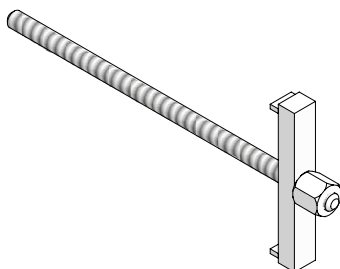


Ref.-No.	Description / Application	m ²	kg
29-406-40 Stop end bracket SB 110	198.0

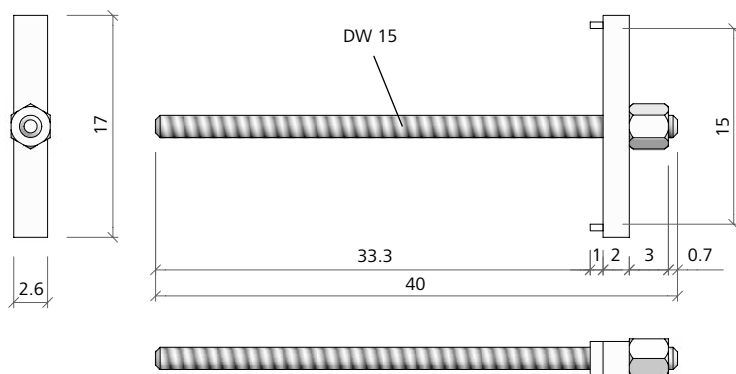


Clamping device for stop end bracket SB 110

Coated. Is used to connect the stop end bracket SB 110 to the support frame. A flange nut 100 or an articulated flange nut 15/120 is also required.



Ref.-No.	Description / Application	m ²	kg
29-406-60 Clamping device for stop end bracket SB 110	1.4



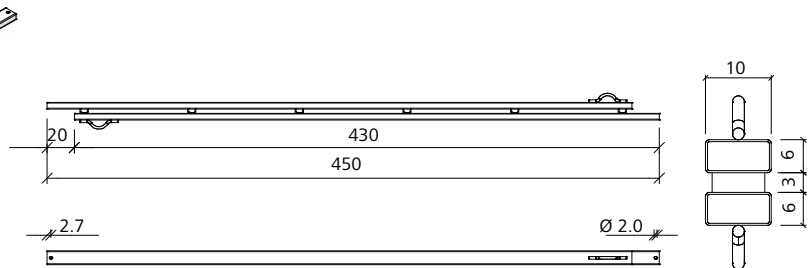
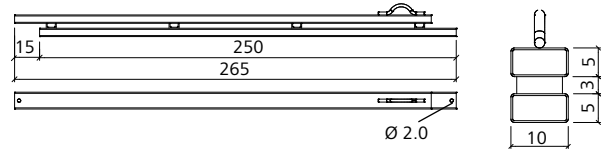
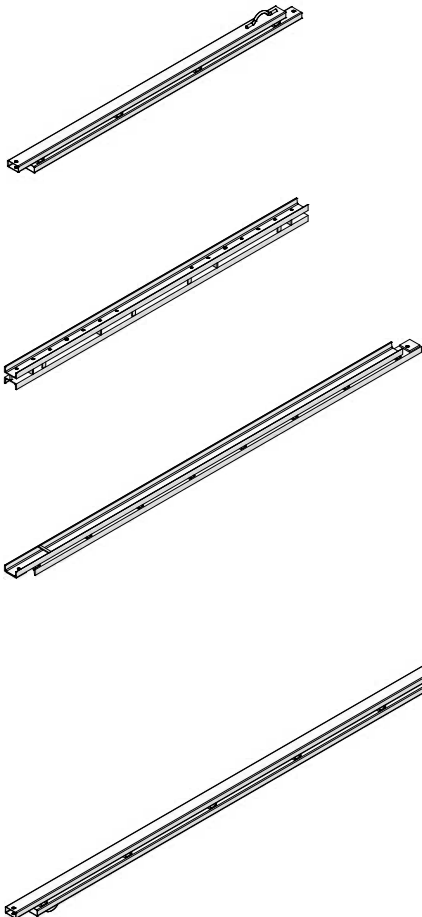
Support frame

STB

M alignment rail

Galvanized. Are used to brace panel joints for crane ganging, bridge problem areas, brace compensation areas and build stop ends with stop end fixtures. Are attached to the formwork with flange screws.

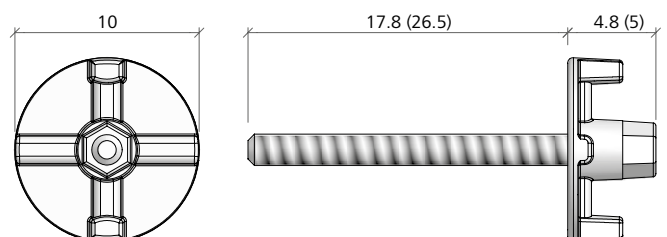
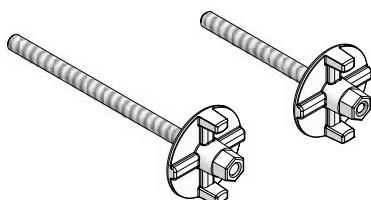
Ref.-No.	Description / Application	m ²	kg
29-402-50	M-alignment rail 250, galv.....	34.5	
29-402-45	M-alignment rail 350, reinforced.....	124.0	
29-402-38	M-alignment rail 450, reinforced.....	159.0	
29-402-40	M-alignment rail 450.....	84.0	



Flange screw

Galvanized. DW thread Ø 15 mm. Is used to attach accessories to the multi-function profiles of the panels, e.g. alignment rails, cross braces, cross beams 300, formwork-prop connectors, etc.

Ref.-No.	Description / Application	m ²	kg
29-401-10	Flange screw 18.....	1.1	
29-401-12	Flange screw 28.....	1.2	

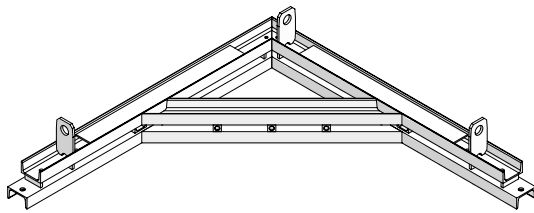


The numbers in parentheses refer to Flange screw 28

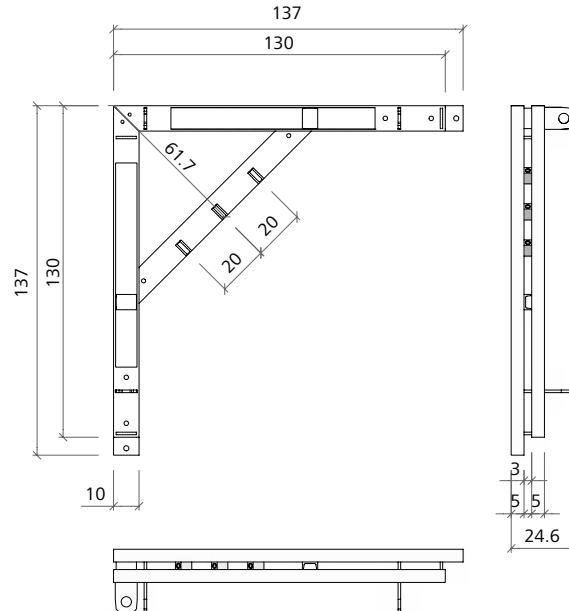
Support frame

Cross brace STB

Coated. Supports the inside corner area of single-sided wall formwork. Dimensions 137 x 137 cm. Welded-in DW-threaded nuts to attach 2 or 3 support frames STB 300 or STB 450. Flange screws are required to attach the cross brace to the formwork and the support frame to the cross brace.

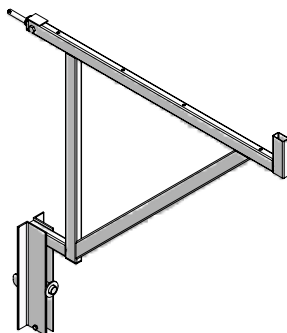


Ref.-No.	Description / Application	m ²	kg
29-406-70	Corner bracket STB		92.0

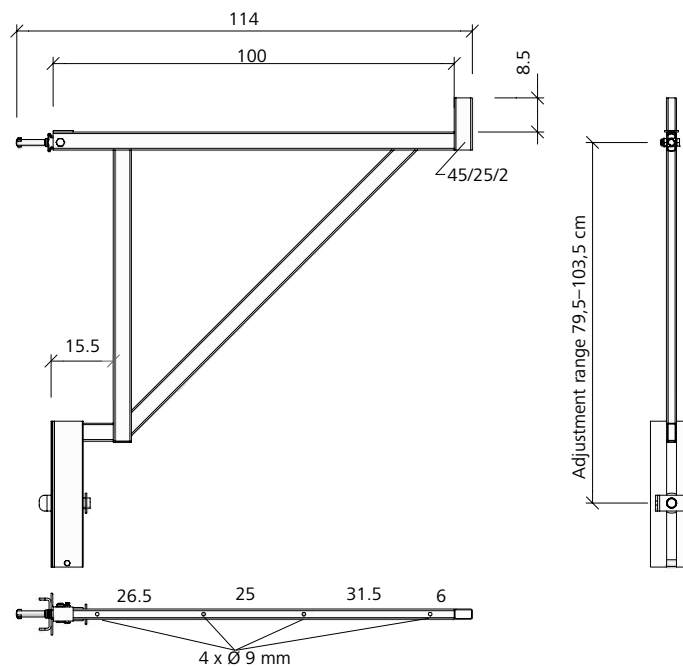


Walkway bracket

Galvanized, yellow, pluggable. Is used as working and safety scaffold. Is attached to the multi-function profile and secured to the multi-function profile below with a flange screw 18. The planking can be mounted to the brackets. Working width approx. 90 cm. MEVA Guardrailing post is also required. Bracket spacing depends on type of planking (DIN 4420).



Ref.-No.	Description / Application	m ²	kg
29-106-00	Walkway bracket 90 (yellow), galv.		10.3

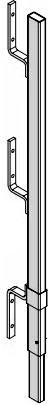


Support frame

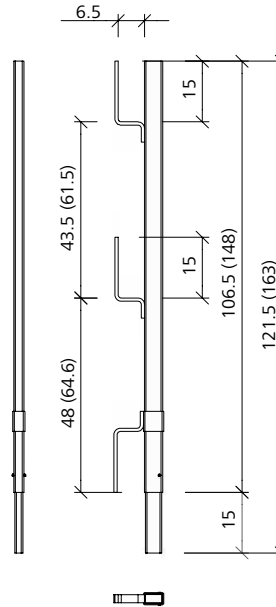
STB

Guardrailing post

Galvanized. Is plugged into the walkway bracket.



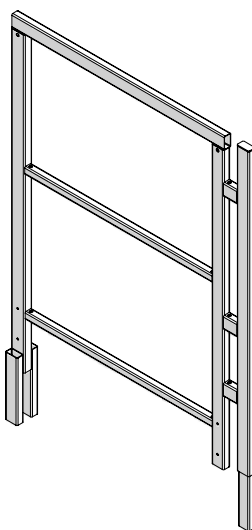
Ref.-No.	Description / Application	m ²	kg
29-106-75	Guardrailing post 100.....		3.7
29-106-85	Guardrailing post 140.....		4.7



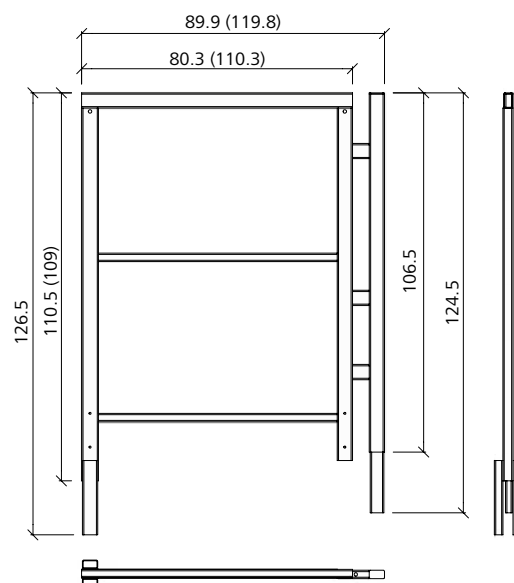
The numbers in parantheses refer to the guardrailing post 140.

Side railing

Galvanized. Is plugged into the walkway bracket.



Ref.-No.	Description / Application	m ²	kg
29-108-20	Side railing 90/100, galv.....		12.3
29-108-30	Side railing 125/100, galv.....		13.8

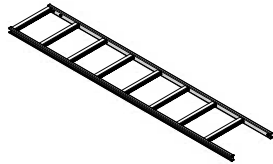


The numbers in parantheses refer to the side railing 125/100.

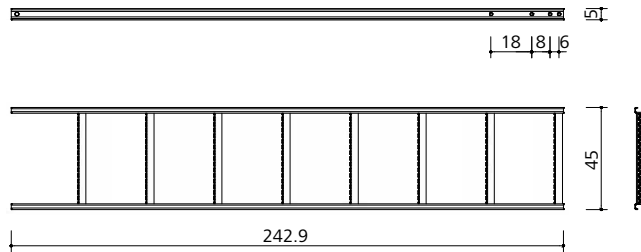
Support frame

Ladder

Galvanized. Is hooked into the CF-access platform and automatically secured. Can be extended with extension ladders. Safety cages are required for operational safety.



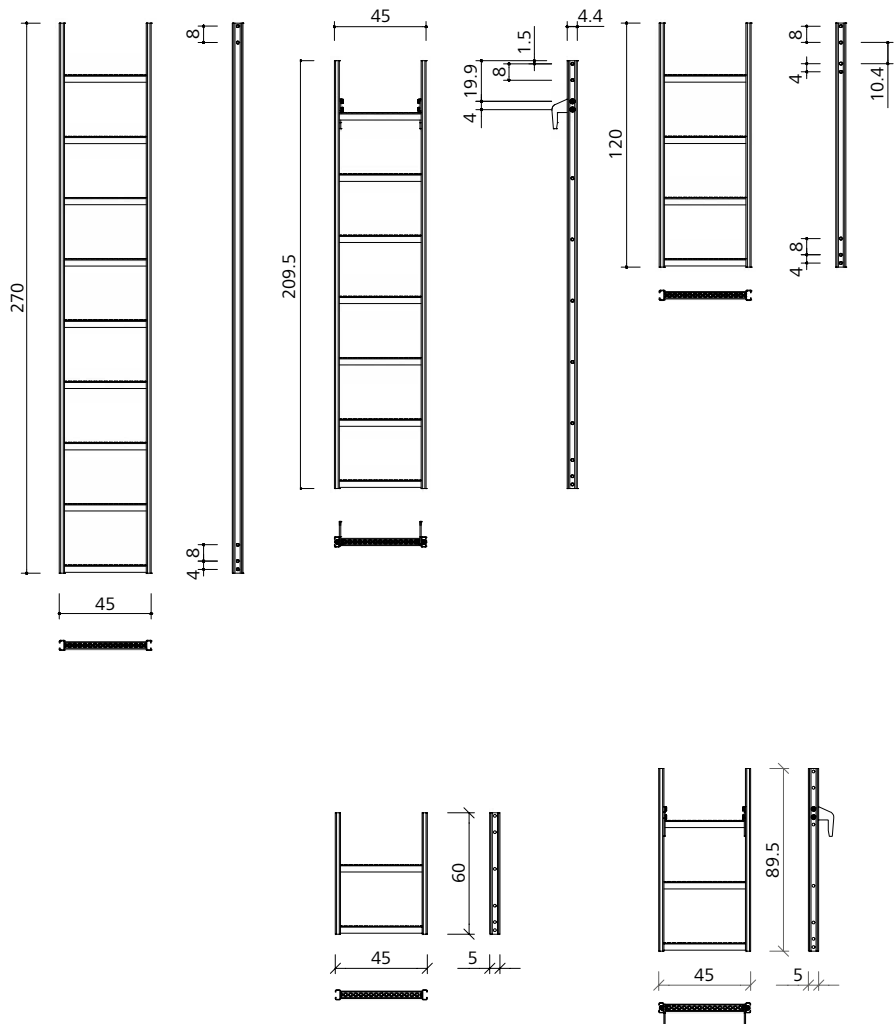
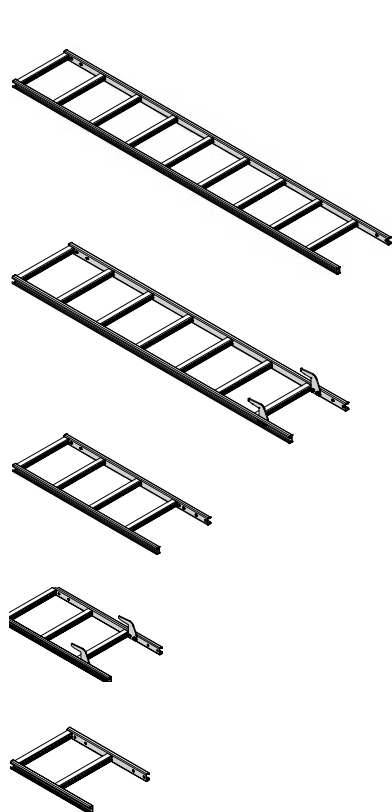
Ref.-No.	Description / Application	m ²	kg
29-416-50	Ladder 243		17.2



Extension ladder 210

Galvanized. Depending on the required height, the extension ladder is either hooked into the steps of the ladder or bolted to the ladder with the ladder connector. The extension ladder must be secured with the Ladder fixture 33/45. An additional extension in increments of 30 cm is achieved by hooking an extension ladder into the appropriate step.

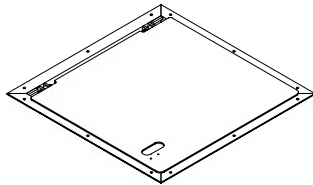
Ref.-No.	Description / Application	m ²	kg
29-416-52	Extension ladder 270		19.2
29-414-60	Extension ladder 210		15.9
29-416-55	Extension ladder 120		8.5
29-416-60	Extension ladder 90		7.4
29-416-62	Extension ladder 60		4.4



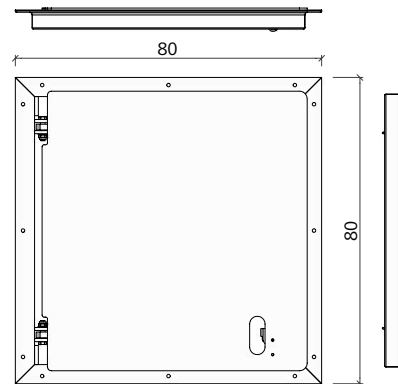
Support frame

Access hatch KLK

Galvanized steel frame. Hatch made from checker plate. Cataphoretic coating; max. opening 88°, self-closing.



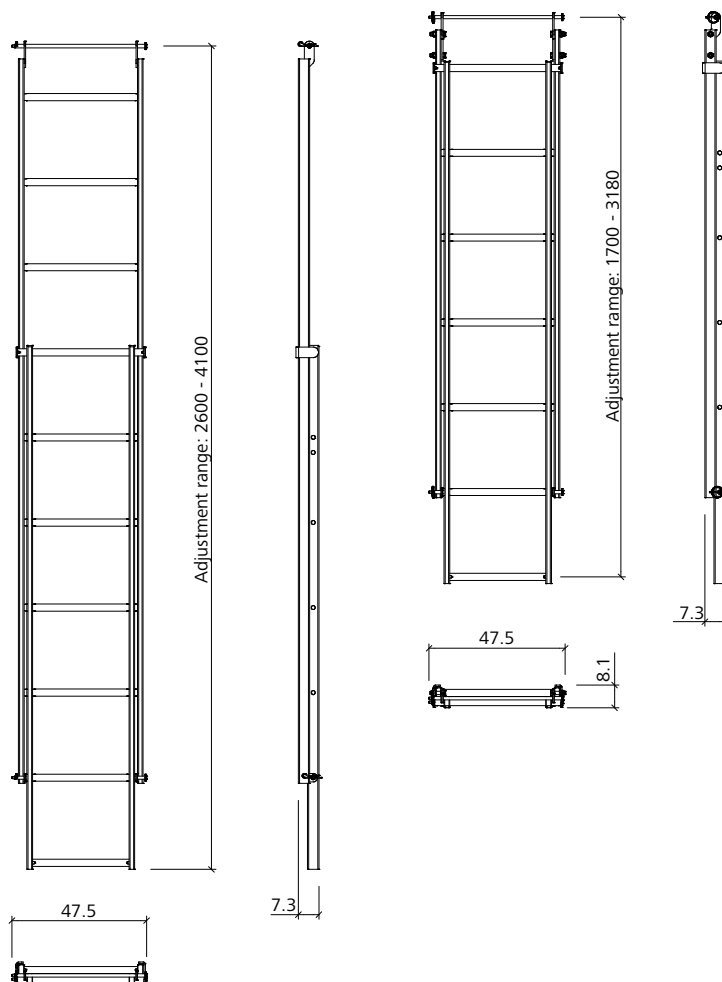
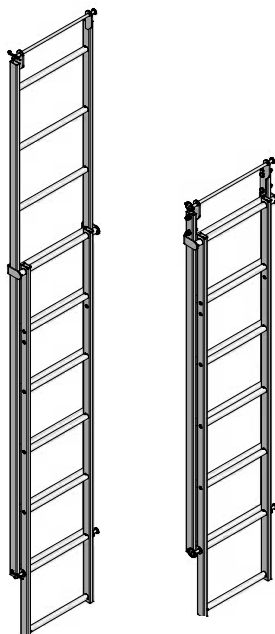
Ref.-No.	Description / Application	m ²	kg
29-416-05	Access hatch KLK		22.3



Telescopic ladder SB

Galvanized. For all aluminium platforms with hatch.

Ref.-No.	Description / Application	m ²	kg
29-603-40	Telescopic ladder 2600-4100 SB		27.2
29-603-45	Telescopic ladder 1700-3180 SB		22.4

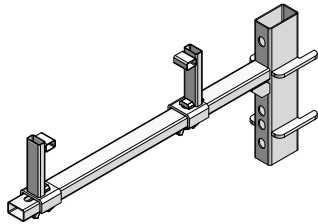


Support frame

STB

Ladder fixture 33/45

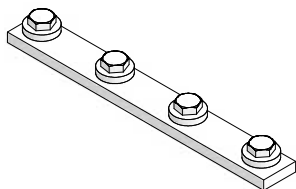
Galvanized. Is attached to the multi-function profile of the wall formwork panel with a flange screw 18. When used for formwork heights from 350 cm to 450 cm, the STB 450 support frame requires three ladders fixtures 33/45. For formwork heights exceeding 450 cm, contact the MEVA application engineering.



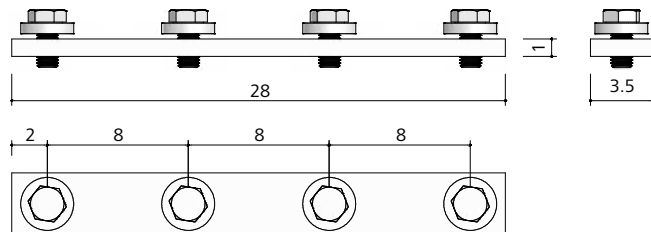
Ref.-No.	Description / Application	m ²	kg
29-404-35	Ladder fixture 33/45		6.4

Ladder connector

Galvanized. Connects the joint of two extension ladders without the need to hook one ladder into a step of the other.

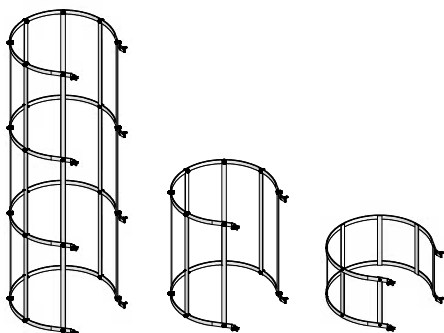


Ref.-No.	Description / Application	m ²	kg
29-414-70	Ladder connector		1.0

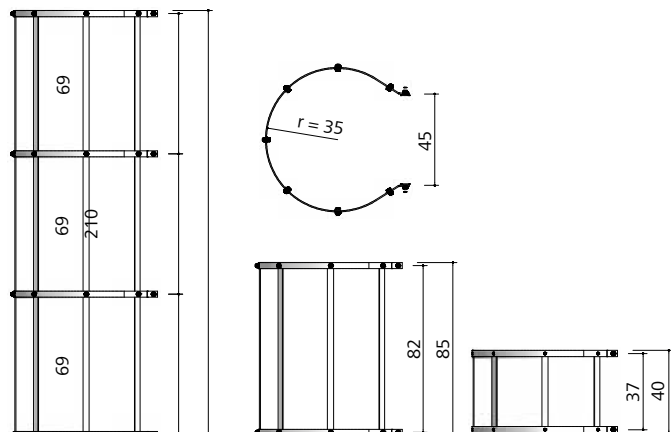


Safety cage

Galvanized. Internal Ø 70 cm. Protects workers when ascending and descending the ladder. The safety cages are attached to the (extension) ladders with the integrated hammerhead screws.



Ref.-No.	Description / Application	m ²	kg
29-414-85	Safety cage 210		27.9
29-414-90	Safety cage 85		12.0
29-416-90	Safety cage 40		8.2

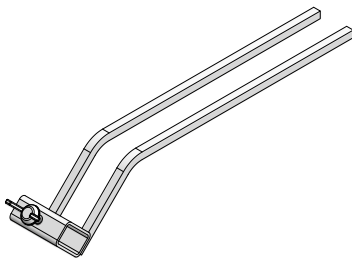


Support frame

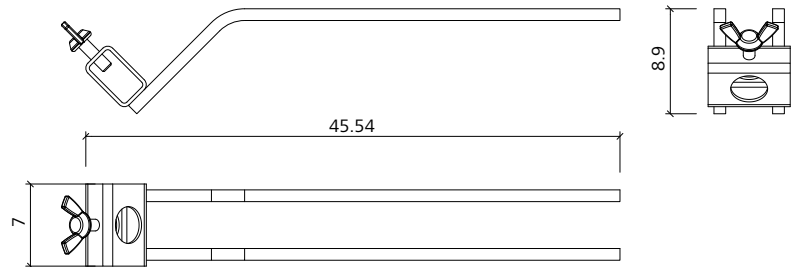
STB

Anchor support DW 15 - DW 26.5

Steel, uncoated. Bottom bent by 45°. Supports DW 15, DW 20 and DW 26.5 tie rods. The tie rods are re-usable if PVC sleeves are used. The anchor support is always attached with the integrated adjusting screw.

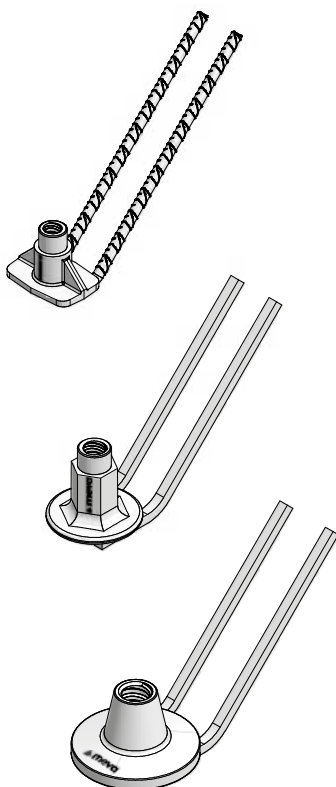


Ref.-No.	Description / Application	m ²	kg
29-925-80	Anchor support DW 15 - DW 26.5		1.0

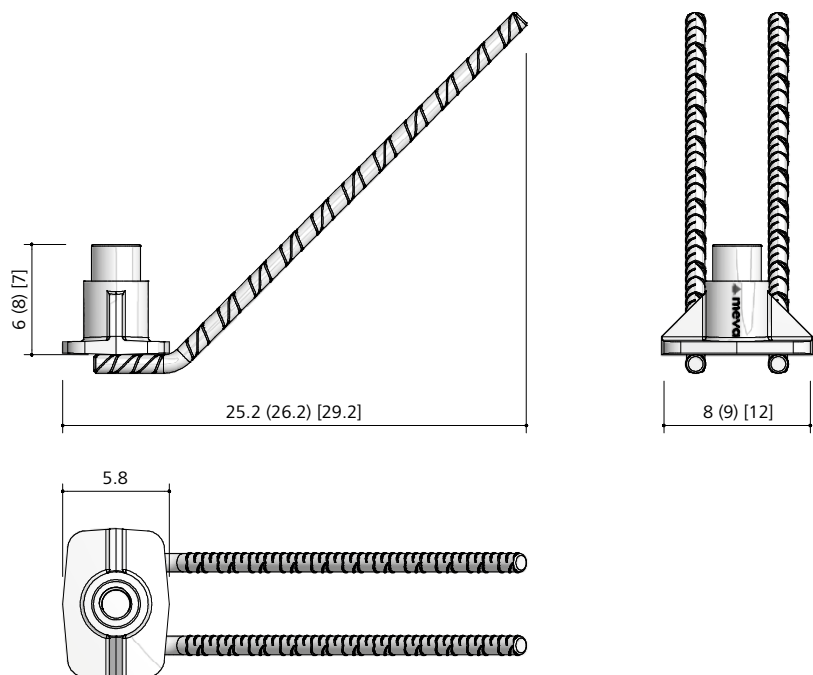


Single anchor DW

Steel, uncoated. Admissible load: DW 15 = 90 kN, DW 20 = 160 kN, DW 26 = 250 kN. Is used for 45° anchoring in the bottom slab when using support frames. Attachment at bottom rebar.



Ref.-No.	Description / Application	m ²	kg
29-925-40	Single anchor DW15		0.8
29-925-45	Single anchor DW 20		1.3
29-925-50	Single anchor DW 26.5		2.4



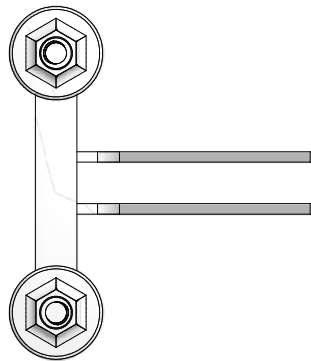
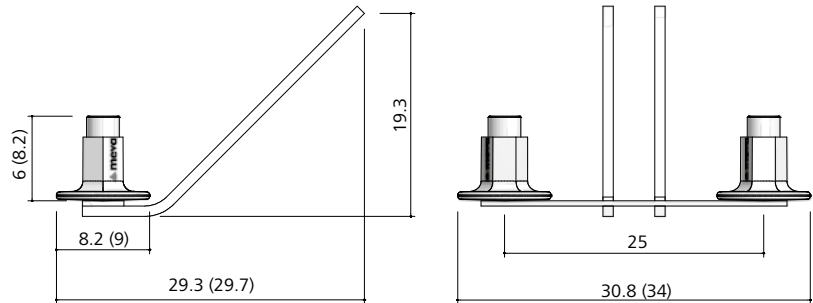
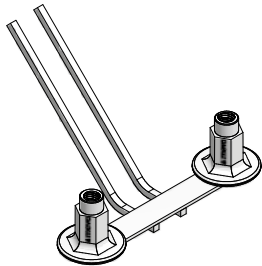
The numbers in parantheses refer to (DW 20) or [DW 26.5].

Support frame

STB

Double anchor DW

Steel, uncoated. Admissible load: DW 15 = 180 kN, DW 20 = 320 kN. Is used for 45° anchoring in the bottom slab when using support frames. Attachment at bottom rebar.

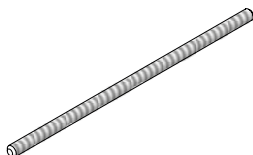


The numbers in parantheses refer to DW 20.

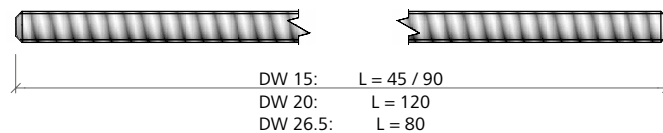
Ref.-No.	Description / Application	m ²	kg
29-925-60 Double anchor DW 15.....	1.8	
29-925-65 Double anchor DW 20.....	2.7	

Tie rod DW

Uncoated; not weldable; with DW thread; DIN 18216. To transfer the load from the support frame into the floor slab or foundation Ø in mm. Ø 15: admissible load capacity 90 kN, Ø 20: admissible load capacity 160 kN, Ø 26.5: admissible load capacity 250 kN.



Ref.-No.	Description / Application	m ²	kg
29-900-76 Tie rod DW 15/45.....	0.6	
29-900-80 Tie rod DW 15/90.....	1.3	
29-900-97 Tie rod DW 20/120.....	3.0	
29-900-75 Tie rod DW 26.5/80.....	3.6	



Support frame

STB

Wobble anchor DW 26.5/80

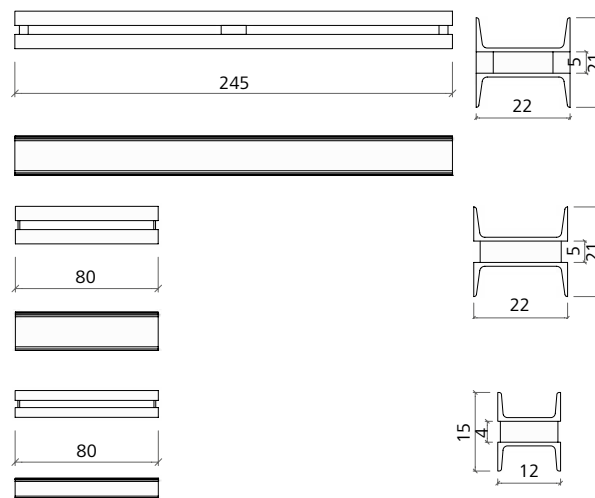
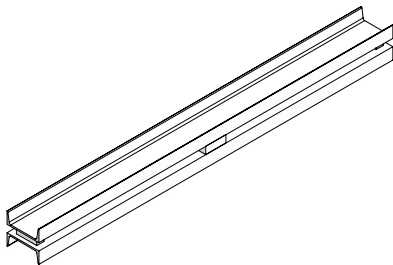
Raw, weldable, length 80 cm, for rear anchoring in the concrete, adm. load capacity: 240 kN

Ref.-No.	Description / Application	m ²	kg
29-900-72	Wobble anchor DW 26.5/80		3.6

Twin channel

Coated. Is used with support frame STB 450 and transfers the load from the support frame into the anchor bars.

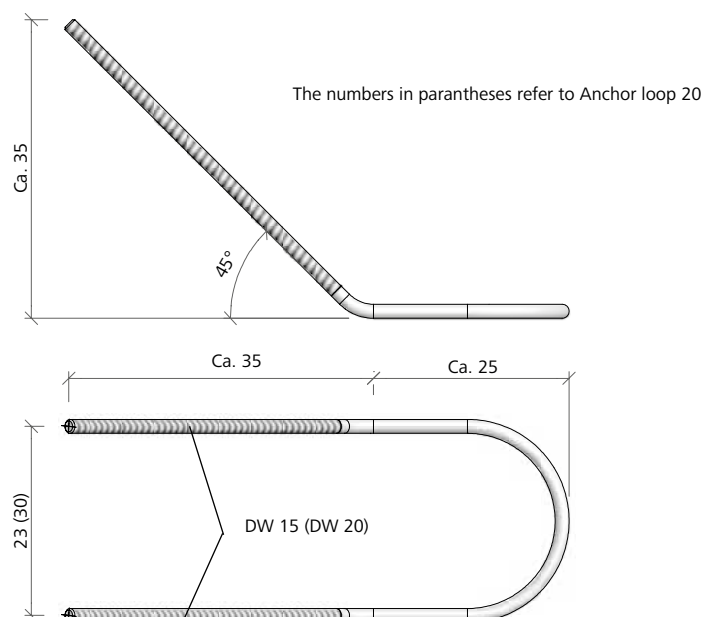
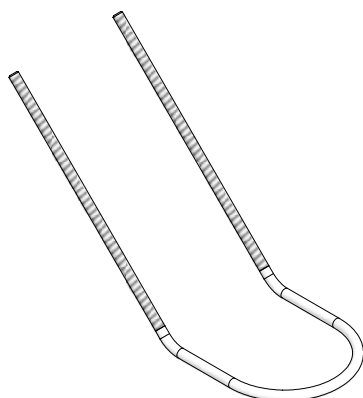
Ref.-No.	Description / Application	m ²	kg
29-406-30	Twin channel 245/22		148.0
29-406-35	Twin channel 80/22		49.0
29-406-38	Twin channel 80/12		22.5



Anchor loop

Uncoated, not weldable. With DW thread. DIN 18216. Transfers the load from the support frame into the floor slab or foundation. Adm. load depends on loop diameter. Ø 15 mm: 2 x 90 kN = 180 kN. Ø 20 mm: 2 x 160 kN = 320 kN.

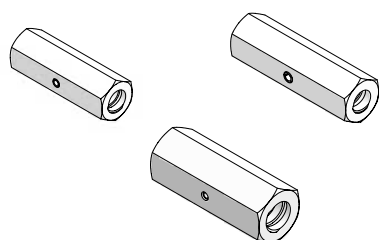
Ref.-No.	Description / Application	m ²	kg
29-001-20	Anchor loop 15		2.4
29-001-25	Anchor loop 20		4.5



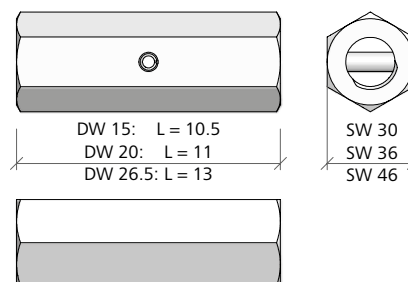
Support frame

Coupling nut

With DW thread; DIN 18216. Connects tie rods to the anchor loop when length extension is necessary. Admissible load in kN and SW in mm: Ø 15 mm (90 kN, SW 30), Ø 20 mm (160 kN, SW 36), Ø 26.5 mm (250 kN, SW 46).

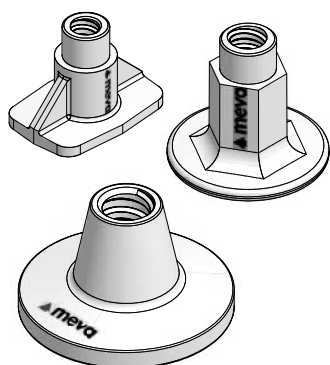


Ref.-No.	Description / Application	m ²	kg
29-900-55 Coupling nut DW 15	0.4	
29-900-50 Coupling nut DW 20	0.7	
29-900-56 Coupling nut DW 26.5	1.4	

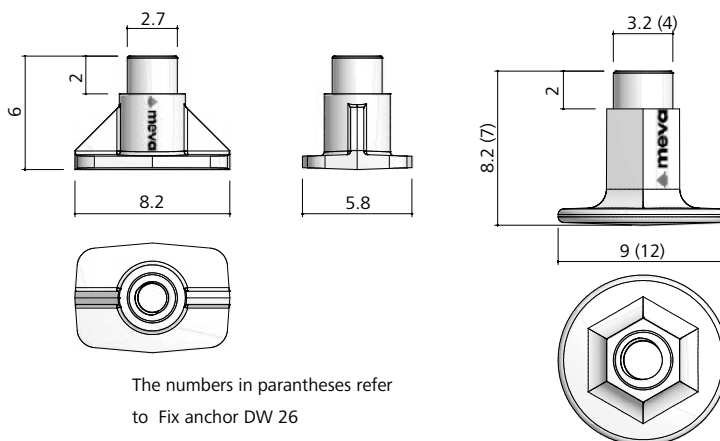


Fix anchor

Uncoated. Is used to anchor tie rods in the concrete with anchor supports.

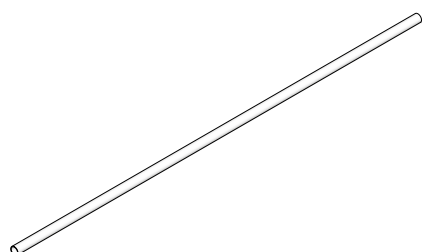


Ref.-No.	Description / Application	m ²	kg
29-926-60 Fix anchor DW 15	0.5	
29-926-65 Fix anchor DW 20	0.9	
29-926-70 Fix anchor DW 26.5	1.9	

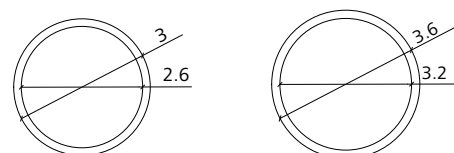


Plastic tube

Is used as a plastic sleeve for a tie rod that is to be recovered and re-used. 2 m long.



Ref.-No.	Description / Application	m ²	kg
29-902-30 Plastic tube D22/200	8.8	
29-902-29 Plastic tube D26/200 for fix anchor DW 15.....	10.0	
29-902-28 Plastic tube D32/36 L 2000 mm	10.0	



29-902-30

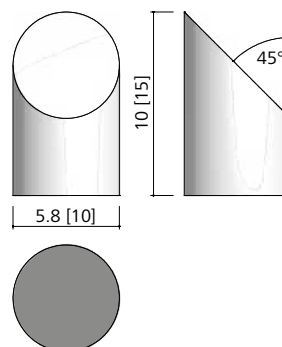
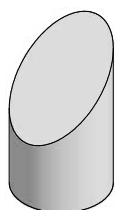
29-902-29

29-902-28

Support frame

Planing cap DW

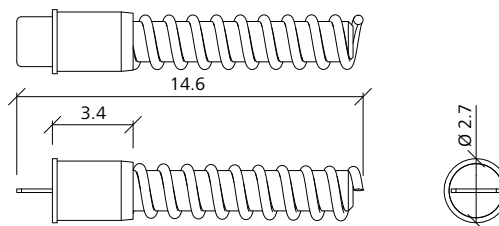
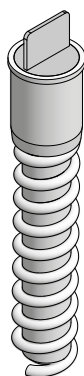
Hard foam, 10 cm long, 45° end piece. For DW 15 and DW 20 [or 26.5]. Is plugged onto the DW tie rod or on a plastic sleeve for one-sided anchoring of support frames STB. Hole depth 5 cm.



Ref.-No.	Description / Application	m ²	kg
29-917-75 Planing cap DW 15.....		1.0

Spiral anchor DW 15/100

Steel spiral bead, 10 cm long, with styropore core. Is used to attach formwork equipment with tie rods DW 15, e.g. when adjusting the equipment when using push-pull props or the like. Remove the styropore with a 14 mm drill.



Ref.-No.	Description / Application	m ²	kg
29-921-10 Spiral anchor DW 15/100.....		6.1

Concrete strength	Extraction force	Admissible load (with safety factor 3)
7 N/mm ²	25.5 kN	8.5 kN
13 N/mm ²	35.3 kN	11.8 kN
16 N/mm ²	44.2 kN	14.7 kN
24 N/mm ²	49.9 kN	16.6 kN

Adjustable spanner

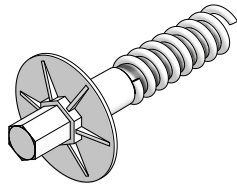
Not shown. For DW 15, DW 20 and DW 26.5. Is used to loosen and unscrew recoverable tie rods.

Ref.-No.	Description / Application	m ²	kg
29-926-95 Adjustable spanner.....		1.6

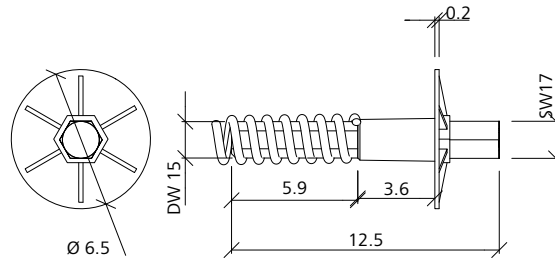
Support frame

Quick anchor

Including anchor plate and spiral spring. Is pressed into the fresh concrete. The thickness of the upper concrete layer is set by adjusting the anchor plate. Secured in the rebar with the quick anchor holder. Extraction force at 24 N/mm²; concrete strength 49.9 kN.

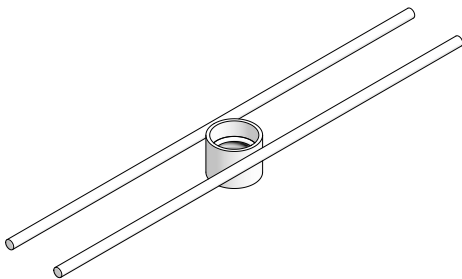


Ref.-No.	Description / Application	m ²	kg
29-922-70	Quick anchor		0.3
29-922-73	Quick anchor DW 15 anchor plate		2.3

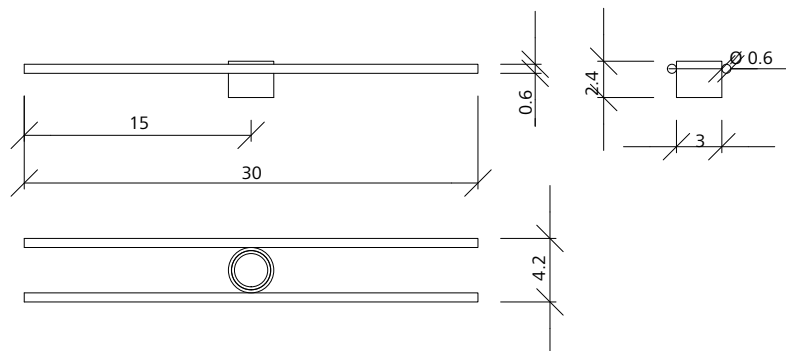


Quick-anchor holder

To secure the spiral anchor or the quick anchor in the rebar.

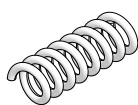


29-922-75	Quick-anchor fixture		9.0
-----------	----------------------	--	-----

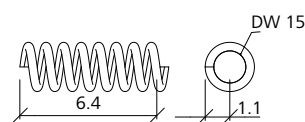


Spiral spring

Spare part, remains in concrete.

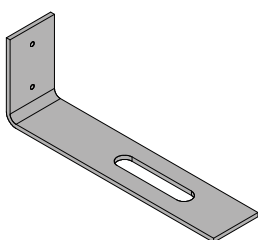


29-922-72	Spiral spring		9.5
-----------	---------------	--	-----

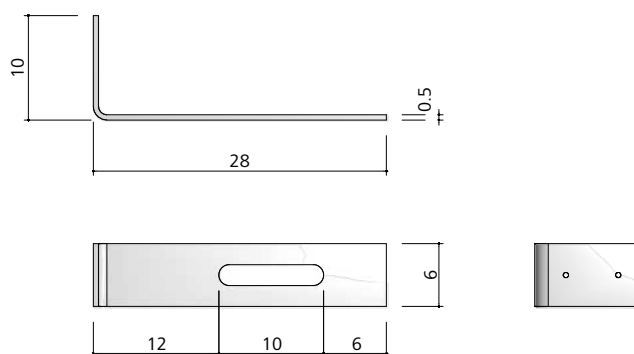


Upstand bracket

Adjustment range 100 mm. Is used to brace upstand formwork.

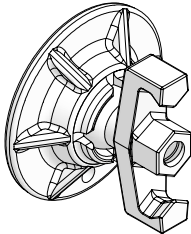


29-925-10	Upstand bracket		2.1
-----------	-----------------	--	-----

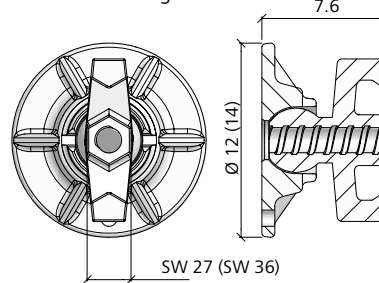


Articulated flange nut

Forged, galvanized. DIN 18216. DW thread \varnothing 15 mm (20 mm). Plate \varnothing 120 mm (140 mm), max. inclination 10° , SW 27 (36). Max. load capacity 90 kN (160 kN).



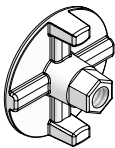
Ref.-No.	Description / Application	m ²	kg
29-900-10	Articulated flange nut 15/120 (SW 27)	1.8	
29-900-05	Articulated flange nut 20/140	2.4	



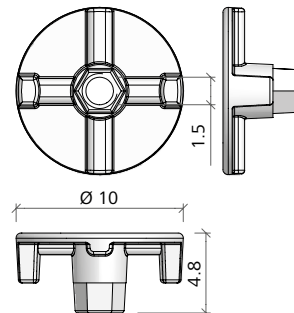
The numbers in parantheses refer to Articulated flange nut 20/140

Flange nut 100

Forged; galvanized. DIN 18216. DW thread \varnothing 15 mm, plate \varnothing 100 mm, SW 27. Max. load capacity 90 kN.

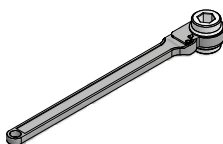


Ref.-No.	Description / Application	m ²	kg
29-900-20	Flange nut 100 (SW 27, forged)	0.7	

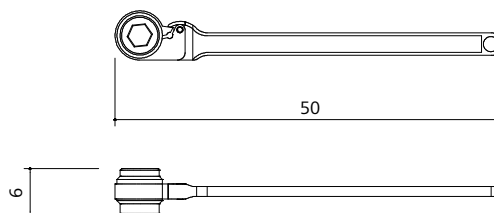


Spanner SW 36

Inset yellow chromated; spanner width 36 mm. To tighten and loosen articulated flange nuts 20/140.



Ref.-No.	Description / Application	m ²	kg
29-800-10	Spanner SW 27	1.8	
29-800-15	Spanner SW 36	3.3	



Support frame

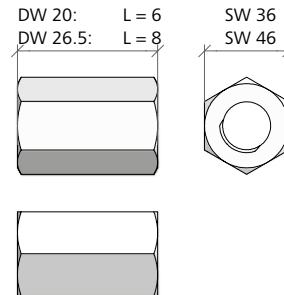
STB

Hexagonal nut

Forged; with DW thread; DIN 18216. To tie the anchors in the bottom slab and at the support frame; is used with a counter plate to increase the pull-out resistance. Admissible load in kN and SW in mm. Ø 15 mm (90 kN, SW 30), Ø 20 mm (160 kN, SW 36), Ø 26.5 mm (250 kN, SW 46).

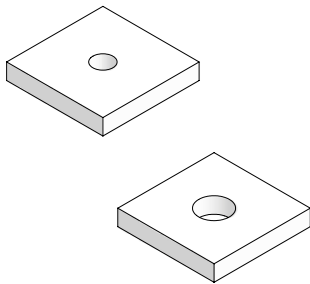


Ref.-No.	Description / Application	m ²	kg
29-900-60	Hexagonal nut 15, galv. (SW 30)	0.2	
29-900-61	Hexagonal nut 20 (SW 36)	0.5	
29-900-58	Hexagonal nut 26.5	0.5	

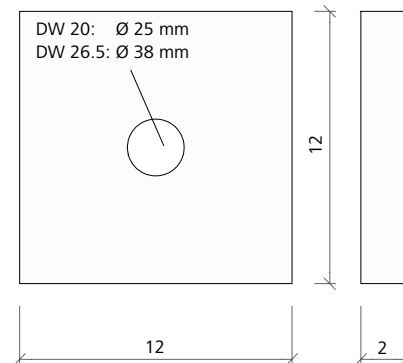


Counter plate

Galvanized. is used to anchor the support frame together with the hexagonal nut. Hole Ø 25 mm or 38 mm.



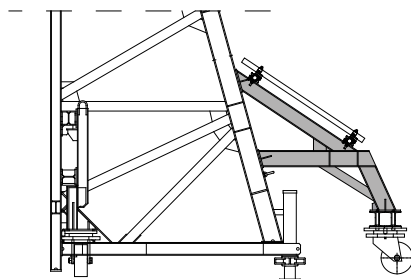
Ref.-No.	Description / Application	m ²	kg
29-900-35	Counter plate 120 x 120 x 20/25, galv.	2.1	
29-900-30	Counter plate 120 x 120 x 20/38, galv.	2.1	



Trolley bracket STB 450

Coated. For swivel-type castors with different load capacities. Is required for mobile form-work units with support frame STB 450.

Ref.-No.	Description / Application	m ²	kg
29-406-75	Trolley Bracket STB 450	95.0	



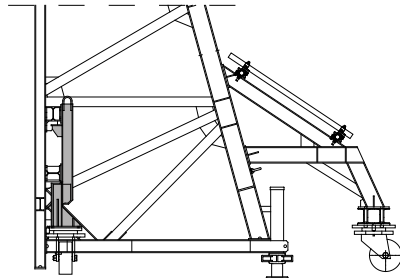
Support frame

STB

Support bracket STB 450

Coated. For swivel-type castors with different load capacities. Is required for mobile formwork units with support frame STB 450.

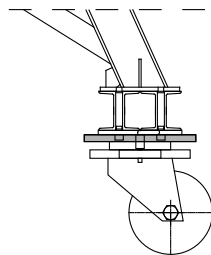
Ref.-No.	Description / Application	m ²	kg
29-406-80 Support Bracket STB 450.....		59.5



Adapter for swivel-type castor STB 450

Coated. For swivel-type castors with different load capacities. Is required for mobile formwork units with support frame STB 450 if height exceeds 6 m.

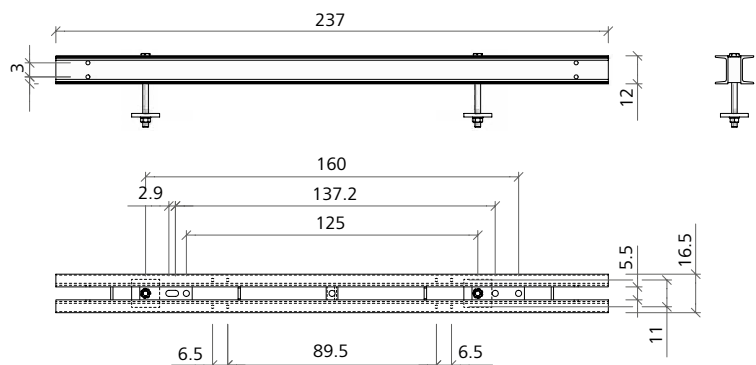
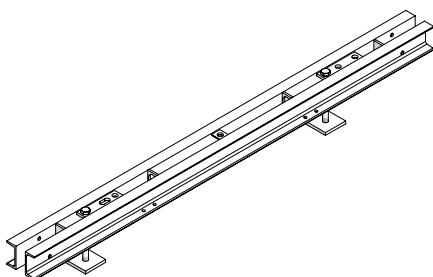
Ref.-No.	Description / Application	m ²	kg
29-406-85 Adapter for swivel-type castor STB 450.....		19.0



Trolley waler

Coated. Is used for a fast support frame transport when a crane cannot be used. The trolley waler is attached to the support frame units. Wheel adapters, trolley spindles and castors are required. Please observe the trolley waler instructions.

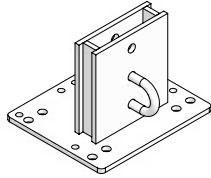
Ref.-No.	Description / Application	m ²	kg
29-403-70 Trolley waler.....		76.0



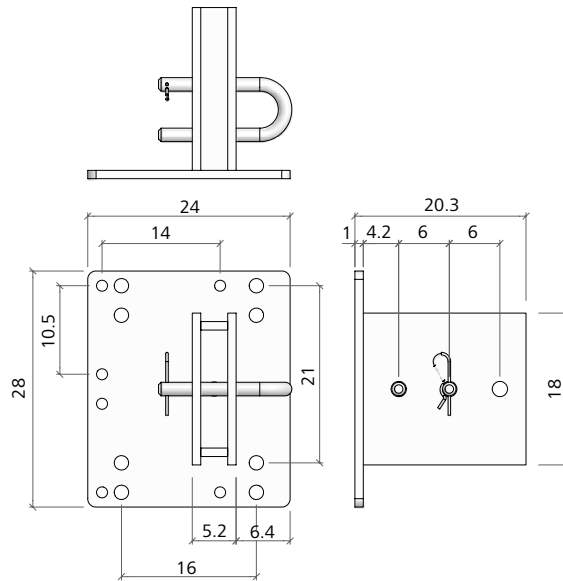
Support frame

Wheel adapter for trolley waler

Galvanized. Is used to install swivel-type castors for 2 or 6 tons.

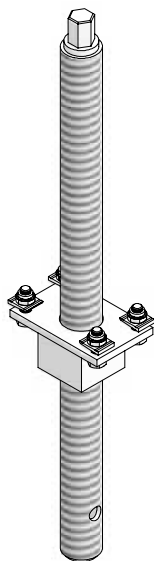


Ref.-No.	Description / Application	m ²	kg
29-403-75 Wheel adapter for trolley waler		12.0

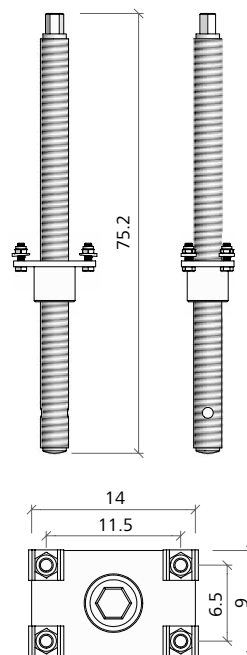


Trolley spindle 48/70

Galvanized. Is used to raise or lower the support frame units when attaching the swivel-type castors.



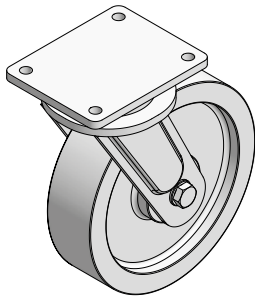
Ref.-No.	Description / Application	m ²	kg
29-403-80 Trolley spindle 48/70		7.4



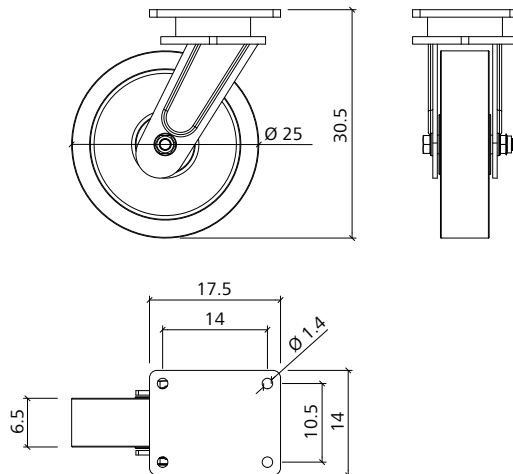
Support frame

Swivel-type castor 2 tons

Suited for the wheel adapter for the troller waler. Load capacity 2 tons; with slide bearing; total height 305 mm; plate size 175 x 140 mm; screw hole spacing 140 x 105 mm; drill hole \varnothing 14 mm; cantilever 75 mm. Mounting with M12x35. Lanyards must be ordered separately.

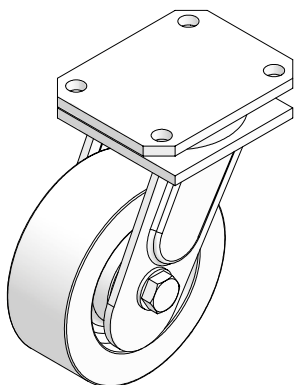


Ref.-No.	Description / Application	m ²	kg
29-306-50	Swivel-type castor 2 t		8.3

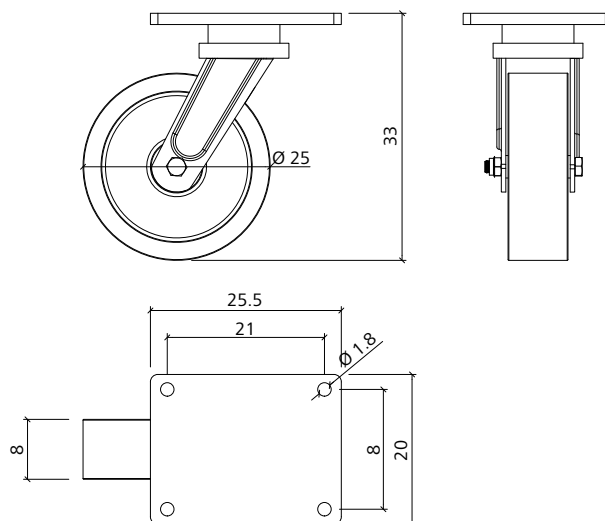


Swivel-type castor 6 tons

Load capacity 6 tons; with ball bearing; total height 330 mm; plate size 225 x 200 mm, screw hole spacing 210 x 200 mm, drill hole \varnothing 18 mm, cantilever 85 mm. Mounting with M16x50. Lanyards must be ordered separately.



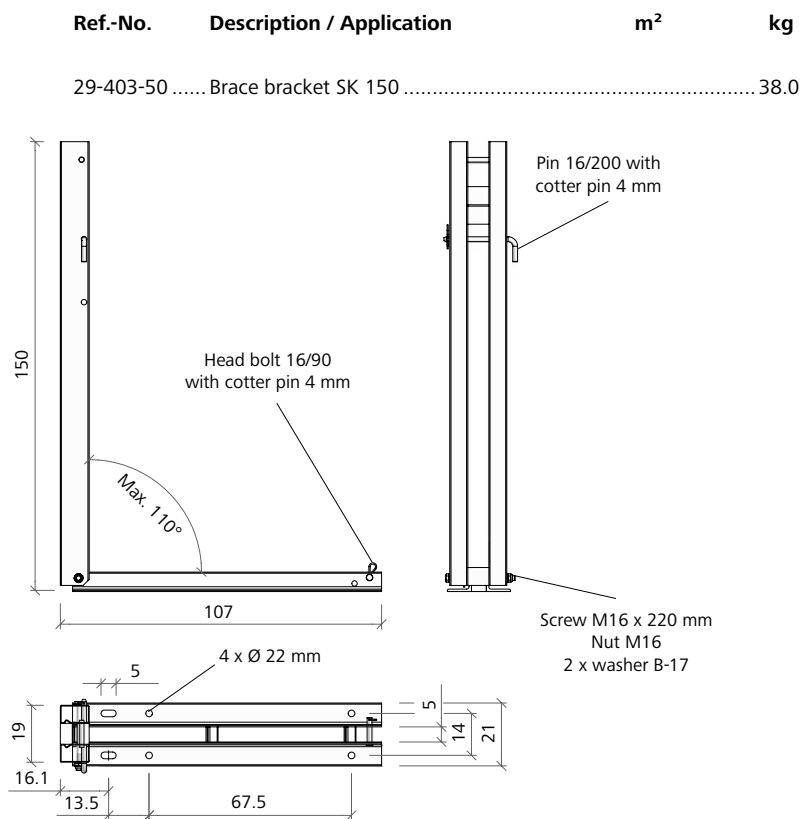
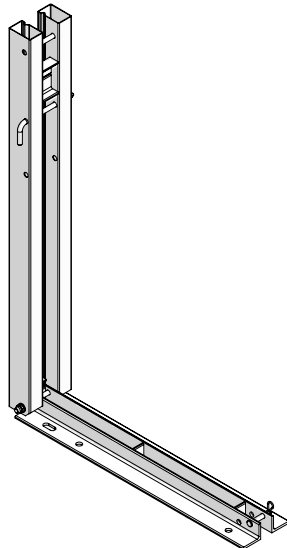
Ref.-No.	Description / Application	m ²	kg
29-306-75	Swivel-type castor 6 t		22.1



Support frame

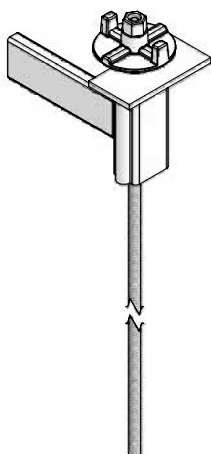
Brace bracket SK 150

Coated. Is used to form stop ends for foundation slabs with a max. thickness of 1.50 m. Braces SRL 120 or SRL 170 must be ordered separately.

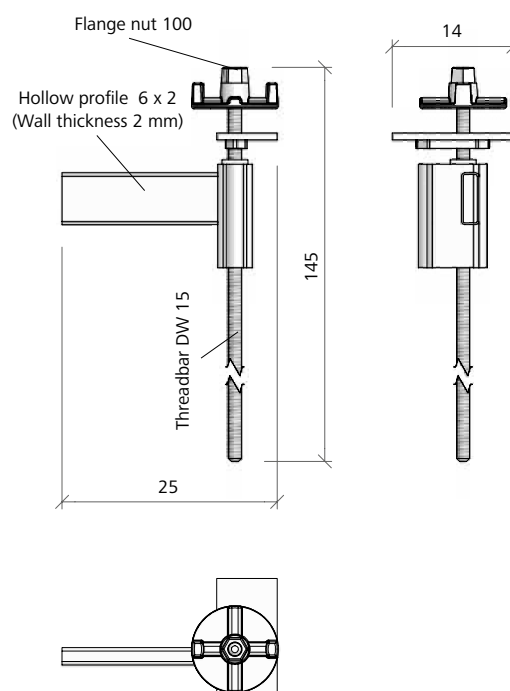


Positioning support SK

Coated. Permits the exact levelling and positioning of stop ends when used with the brace bracket SK 150, even on a sloped surface.



Ref.-No.	Description / Application	m ²	kg
29-403-55	Positioning support SK		4.1

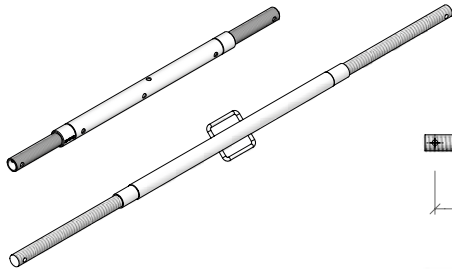


Support frame

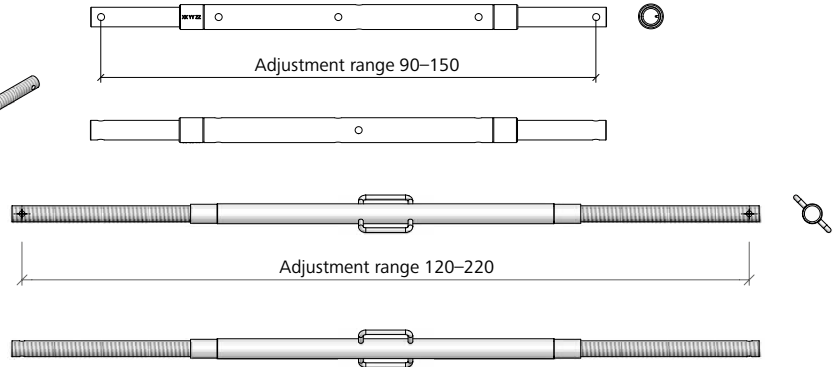
STB

Brace SRL

Galvanized. Consists of a right and a left-hand spindle as well as a revolving centre part. The brace is delivered without foot plate and without formwork-prop connector.

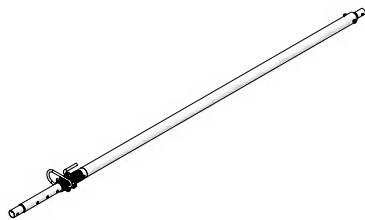


Ref.-No.	Description / Application	m ²	kg
29-108-80	Brace SRL 120 (90-150)		8.8
29-108-90	Brace SRL 170 (120-220)		11.5

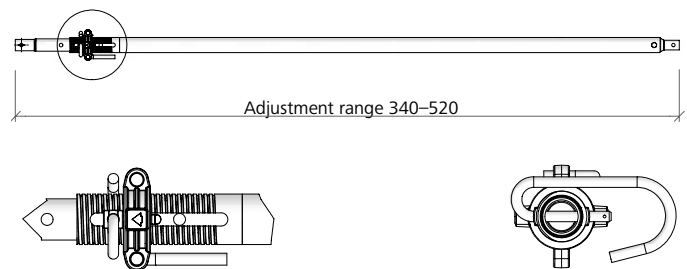


Push-pull prop R

Galvanized. Guarantees tensile and compression strength. Aligns and supports wall formwork. The footplate and formwork-prop connector must be ordered separately.

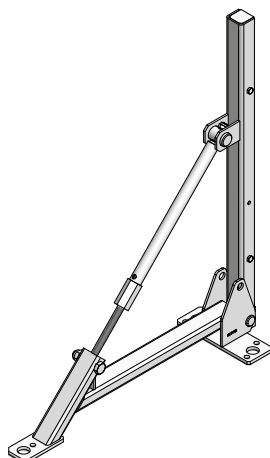


Ref.-No.	Description / Application	m ²	kg
29-109-80	Push-pull prop R 460 (340-520)		34.0

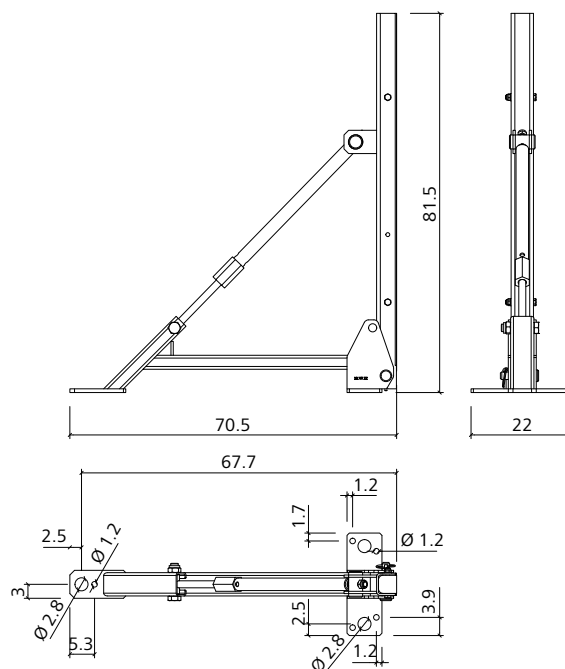


Brace bracket 80

Galvanized. Can be used for floor slabs and slab ends up to 80 cm high. Can be inclined by up to +/- 15°. With plastic nail bar. Can be folded for transport.



Ref.-No.	Description / Application	m ²	kg
29-921-35	Brace bracket 80		11.5



Support frame

STB

Flange screw 12

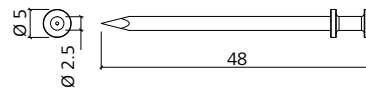
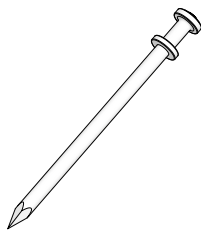
Galvanized. DW thread \varnothing 15 mm. Is used to attach accessories, e.g. alignment rails, brace frames, push-pull props, etc. Length of thread 12 cm.

Ref.-No.	Description / Application	m ²	kg
29-900-70	Flange screw 12		1.0

Double-headed ground nail 25/480

Is used to attach brace bracket 80. Double-headed. Is removed from the earth with the extractor. (to be ordered separately).

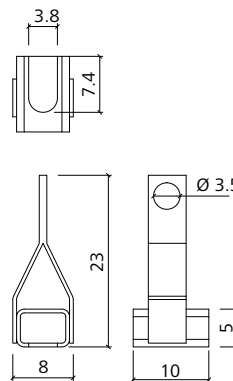
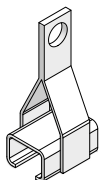
Ref.-No.	Description / Application	m ²	kg
29-800-45	Double-headed ground nail 25/480		2.0



Remover for soil nail

Is used to remove the ground nail from the earth together with a lever rod (not supplied).

Ref.-No.	Description / Application	m ²	kg
29-800-50	Extractor for soil nail		0.8



Pressure gauge

Not shown. Measures tractive force of anchors from 250 to 400 kN. Includes compensating plate for tie rods, with 50 mm hole diameter.

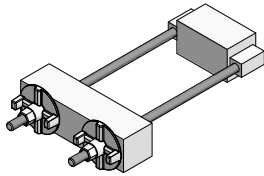
Ref.-No.	Description / Application	m ²	kg
29-915-15	Pressure gauge 250 kN		6.4
29-915-00	Pressure gauge 400 kN		6.4

Support frame

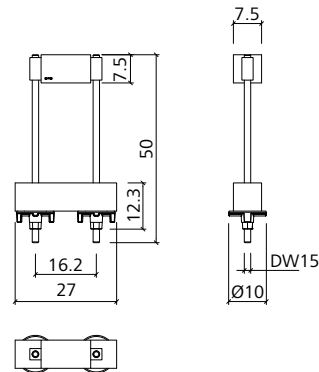
STB

STB Special connector

Steel. Used to connect the support frame STB 450 to the STB extension 150 and also to connect the STB extensions 150 to each other when the aluminium platform M 2470 SB with access hatch (29-600-15) is used.

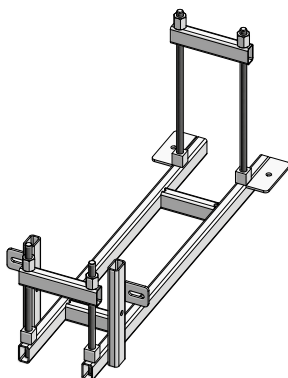


Ref.-No.	Description / Application	m ²	kg
29-406-87 STB Special connector		21.3

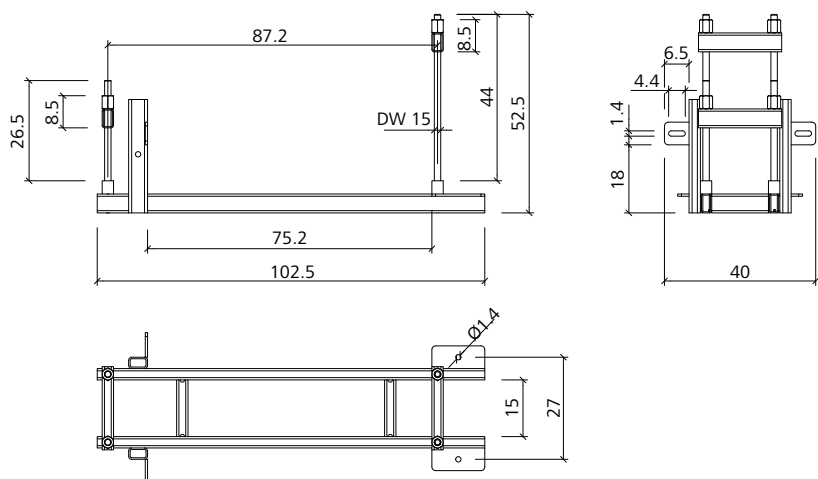


Horizontal girder STB 450 SB

Steel, painted. Used in STB 450 to support the aluminium platform M 2470 SB with access hatch (29-600-15). Two horizontal girders STB are required for each platform.

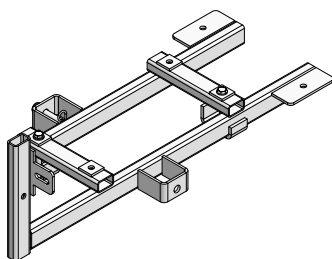


Ref.-No.	Description / Application	m ²	kg
29-406-25 Horizontal girder STB 450 SB		16.9

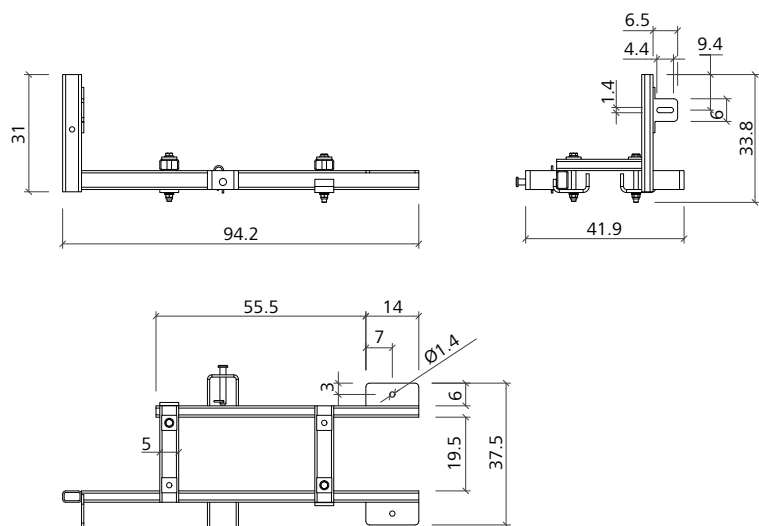


Horizontal girder STB-Extension 150 SB

Steel, painted. Used in the STB extension 150 to support the aluminium platform M 2470 SB with access hatch (29-600-15). Two horizontal girders STB are required for each platform.



Ref.-No.	Description / Application	m ²	kg
29-406-27 Horizontal girder STB-Extension 150 SB		12.2



Support frame

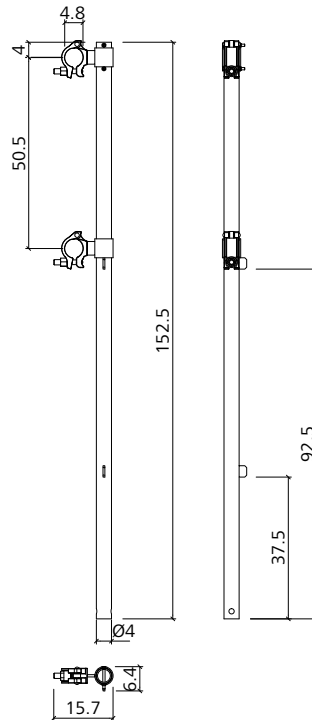
STB

Front railing post retractable STB 450

Steel, painted. Used to create a retractable front railing STB with scaffold tubes. It is attached to the facing side of SecuritBasic as part of the fall protection equipment together with the support for Guardrailing post IC. Two front railing posts are required for each platform.



Ref.-No.	Description / Application	m ²	kg
29-406-29 Front railing post retractable STB 450.....	6.2	

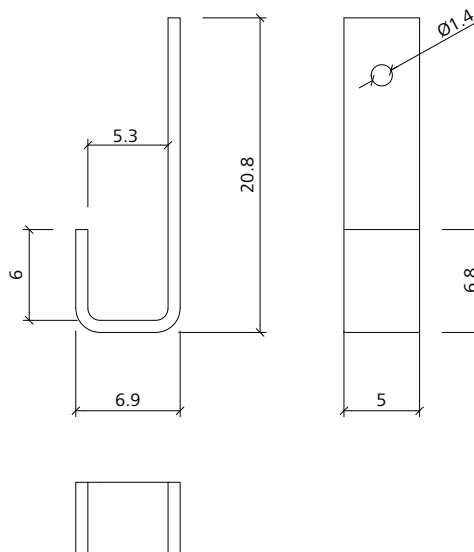


Toe board holder STB SB

Steel, galvanized. Used to secure the toe board STB 480 SB to the aluminium platform M 2470 SB with access hatch (29-600-15) when the platform is used in the STB 450. Two toe board supports STB SB are required for each platform.



Ref.-No.	Description / Application	m ²	kg
29-406-62 Toe board holder STB SB	1.0	

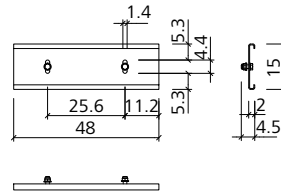
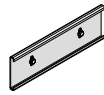


Support frame

STB

Toe board STB 480 SB

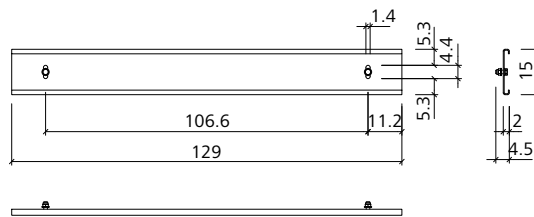
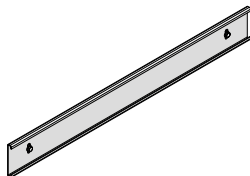
Steel, painted. Length = 480 mm. Used to prevent tools and material falling off the working platform. This toe board is required when the platform is used in the support frame STB 450 (not in the STB extension 150). It is secured to the platform at the outer ends outside the support frames using toe board holder STB SB. Two toe boards STB 480 are required for each platform. An additional toe board STB 1290 SB must be ordered for this application to secure the area between the support frames STB 450.



Ref.-No.	Description / Application	m ²	kg
29-406-64 Toe board STB 480 SB		2.5

Toe board STB 1290 SB

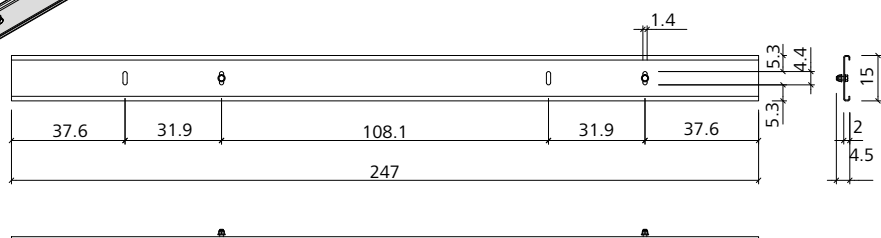
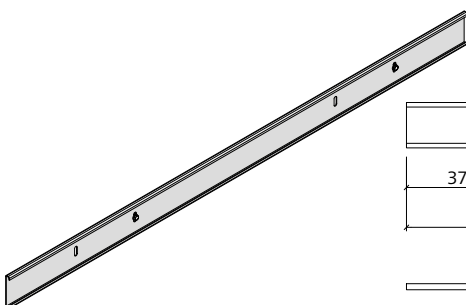
Steel, painted. Length = 1290 mm. Used to prevent tools and material falling off the working platform. This toe board is required when the platform is used in the support frame STB 450 (not in the STB extension 150). It is attached to the horizontal girder STB 450 SB. One toe board STB 1290 is required for each platform. Two additional toe boards STB 480 SB must be ordered for this application to secure the area beyond the support frames STB 450.



Ref.-No.	Description / Application	m ²	kg
29-406-66 Toe board STB 1290 SB		6.3

Toe board STB 2470 SB

Steel, painted. Length = 2470 mm. Used to prevent tools and material falling off the working platform. This toe board is required when the platform is used in the STB extension 150. It is attached to the horizontal girder STB extension 150 SB. One toe board STB 2470 SB is required for each platform.



Ref.-No.	Description / Application	m ²	kg
29-406-68 Toe board STB 2470 SB		11.9



MEVA Schalungs-Systeme GmbH

Industriestrasse 5 Tel. +49 7456 692-01
72221 Haiterbach Fax +49 7456 692-66
Germany info@meva.net

www.meva.net